

JOB NAME _____
 ARCHITECT _____
 ENGINEER _____
 CONTRACTOR _____
 LOCATION _____

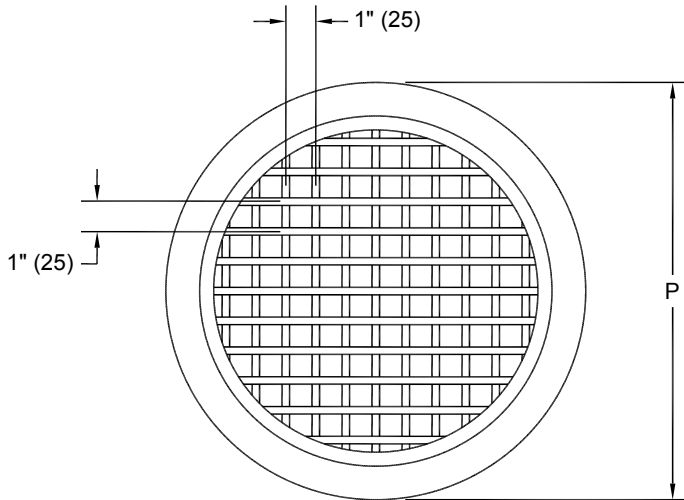
SUBMITTAL SHEET
 Form Number GS0091.0 Effective Date 12/07
 NEW



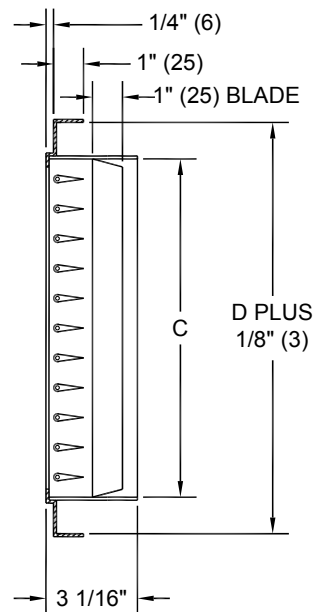
R5880RD - ROUND DOUBLE DEFLECTION GRILLE
ROUND DUCT (STUB DUCT) MOUNT

R5880RD

Note: The nominal size is 2" (51) smaller than the duct size it mounts to. Ex. A size 10 mounts on 12" (305) duct.



FACE VIEW



SIDE VIEW

NOMINAL SIZE	CORE SIZE C	DUCT D	P
6	5 7/8" (149)	8" (203)	8 1/4" (210)
8	7 7/8" (200)	10" (254)	10 1/4" (260)
10	9 7/8" (251)	12" (305)	12 1/4" (311)
12	11 7/8" (302)	14" (356)	14 1/4" (362)
14	13 7/8" (352)	16" (406)	16 1/4" (413)
16	15 7/8" (403)	18" (457)	18 1/4" (464)
18	17 7/8" (454)	20" (508)	20 1/4" (514)
20	19 7/8" (505)	22" (559)	22 1/4" (565)
22	21 7/8" (556)	24" (610)	24 1/4" (616)
24	23 7/8" (606)	26" (660)	26 1/4" (667)

NOTE: DIMENSIONS ROUNDED TO THE NEAREST 1/16" (2)

STANDARD FEATURES:

1. Heavy Gage Aluminum Construction
2. Adjustable Horizontal and Vertical Airfoil Blades
3. 1" Blade Spacing
4. Mounts to Exposed Round Duct
5. Mounting screws included
6. Standard Finish is #70 Silver Metallic
7. Other finishes are available

DIMENSIONS ARE GIVEN AS INCHES (MM)