

JOB NAME \_\_\_\_\_  
 ARCHITECT \_\_\_\_\_  
 ENGINEER \_\_\_\_\_  
 CONTRACTOR \_\_\_\_\_  
 LOCATION \_\_\_\_\_

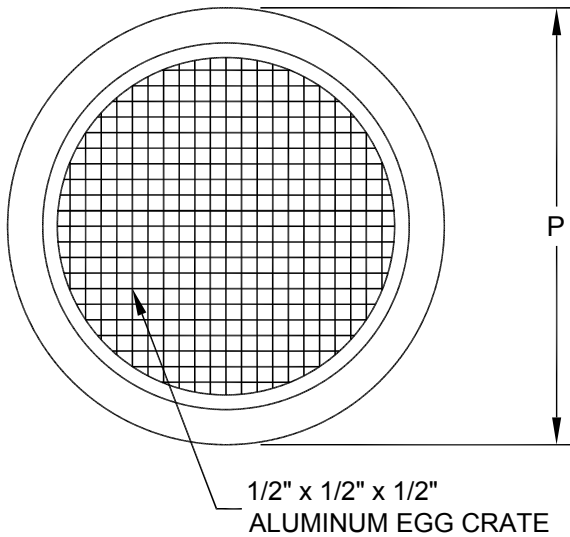
**SUBMITTAL SHEET**  
 Form Number GS0094.0 Effective Date 12/07  
 NEW



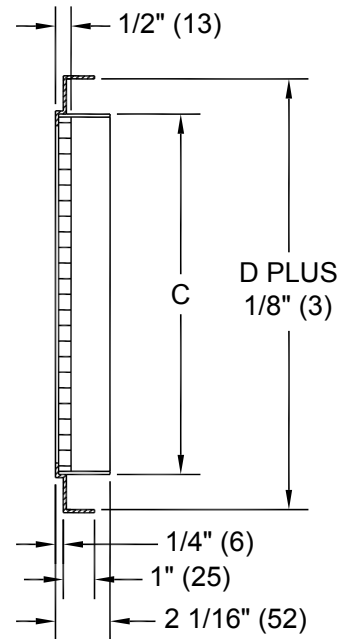
**REGC5RD - ROUND EGG CRATE GRILLE**  
**ROUND DUCT (STUB DUCT) MOUNT**

REGC5RD

**Note:** The nominal size is 2" (51) smaller than the duct size it mounts to. Ex. A size 10 mounts on 12" (305) duct.



**FACE VIEW**



**SIDE VIEW**

NOMINAL SIZE	CORE SIZE C	DUCT D	P
6	5 5/8" (143)	8" (203)	8 1/4" (210)
8	7 5/8" (194)	10" (254)	10 1/4" (260)
10	9 5/8" (244)	12" (305)	12 1/4" (311)
12	11 5/8" (295)	14" (356)	14 1/4" (362)
14	13 5/8" (346)	16" (406)	16 1/4" (413)
16	15 5/8" (397)	18" (457)	18 1/4" (464)
18	17 5/8" (448)	20" (508)	20 1/4" (514)
20	19 5/8" (498)	22" (559)	22 1/4" (565)
22	21 5/8" (549)	24" (610)	24 1/4" (616)
24	23 5/8" (600)	26" (660)	26 1/4" (667)
30	29 5/8" (752)	32" (813)	32 1/4" (819)

NOTE: DIMENSIONS ROUNDED TO THE NEAREST 1/16" (2)

**STANDARD FEATURES:**

1. Heavy Gage Aluminum Construction
2. Round 1/2" x 1/2" x 1/2" Grid
3. Mounts to Exposed Round Duct
4. Mounting screws included
5. Standard Finish is #70 Silver Metallic
6. Other finishes are available

**DIMENSIONS ARE GIVEN AS INCHES (MM)**