

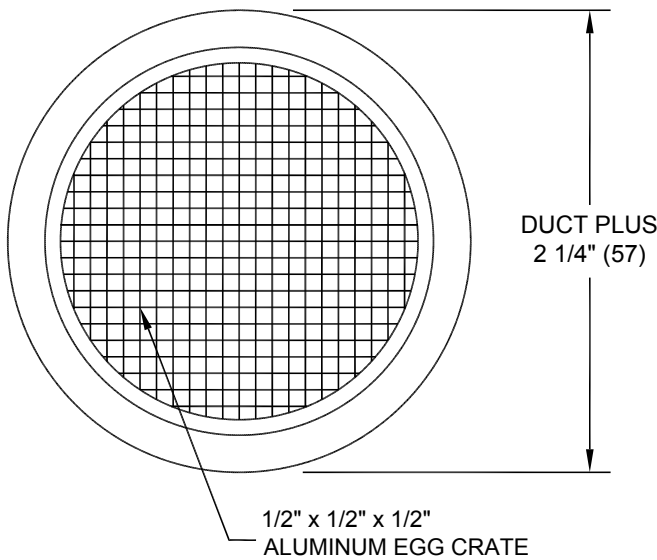
JOB NAME \_\_\_\_\_  
 ARCHITECT \_\_\_\_\_  
 ENGINEER \_\_\_\_\_  
 CONTRACTOR \_\_\_\_\_  
 LOCATION \_\_\_\_\_

**SUBMITTAL SHEET**  
 Form Number GS0093.0 Effective Date 12/07  
 NEW

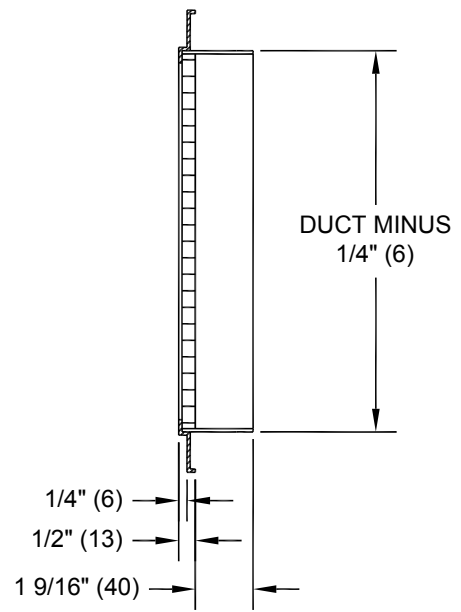


**REGC5 - ROUND EGG CRATE GRILLE  
 CONCEALED MOUNT**

□ REGC5



**FACE VIEW**



**SIDE VIEW**

Concealed mounting system not shown

Available Duct Sizes										
6 (152)	8 (203)	10 (254)	12 (305)	14 (356)	16 (406)	18 (457)	20 (508)	22 (559)	24 (610)	30 (762)

**STANDARD FEATURES:**

1. Heavy Gage Aluminum Construction
2. Round 1/2" x 1/2" x 1/2" Grid
3. Ceiling or Wall Mount
4. Concealed Mounting System (Screws Included)
5. Foam Gasket
6. Standard Finish is #70 Silver Metallic
7. Other finishes are available

**DIMENSIONS ARE GIVEN  
 AS INCHES (MM)**