

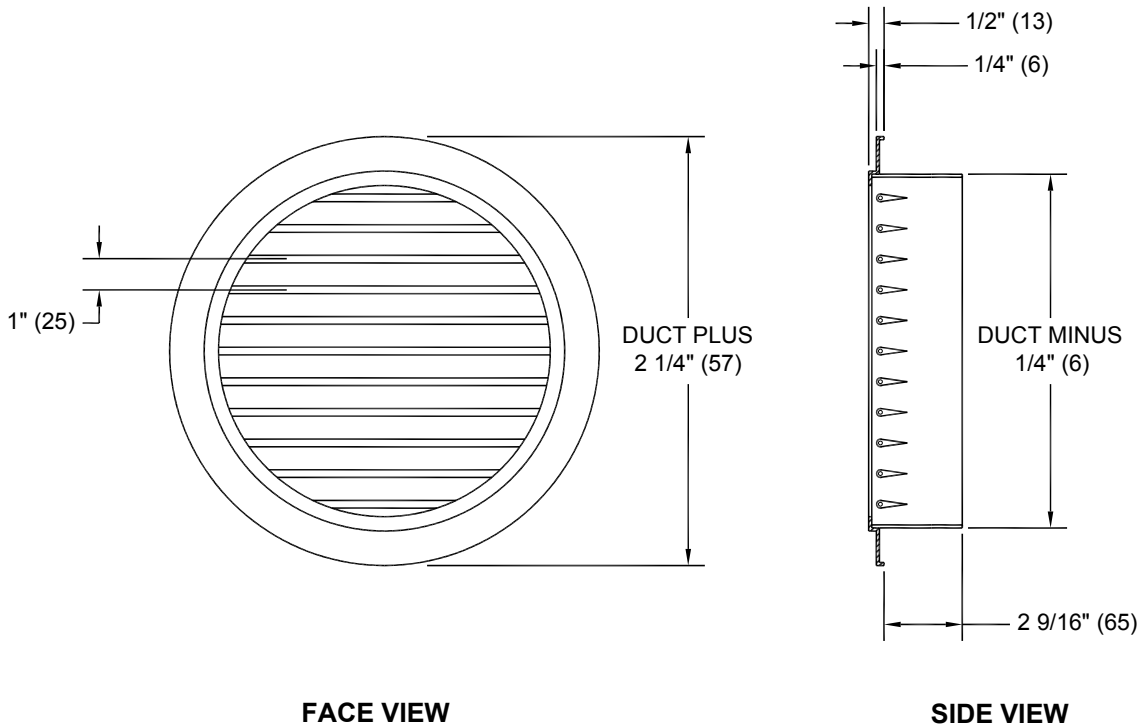
JOB NAME _____
 ARCHITECT _____
 ENGINEER _____
 CONTRACTOR _____
 LOCATION _____

SUBMITTAL SHEET
 Form Number GS0096.0 Effective Date 12/07
 NEW



**R580 - ROUND SINGLE DEFLECTION GRILLE
 CONCEALED MOUNT**

□ R580



Concealed mounting system not shown

Available Duct Sizes									
6 (152)	8 (203)	10 (254)	12 (305)	14 (356)	16 (406)	18 (457)	20 (508)	22 (559)	24 (610)

STANDARD FEATURES:

1. Heavy Gage Aluminum Construction
2. Adjustable Airfoil Blades
3. 1" Blade Spacing
4. Concealed Mounting System (Screws included)
5. Foam Gasket
6. Standard Finish is #70 Silver Metallic
7. Other finishes are available

**DIMENSIONS ARE GIVEN
 AS INCHES (MM)**