

Introduction: REGC5

Designed for surface mount applications, this round architectural return or non-adjustable supply grille provides aesthetically appeal and are well suited for architectural, commercial and industrial applications.

MODEL

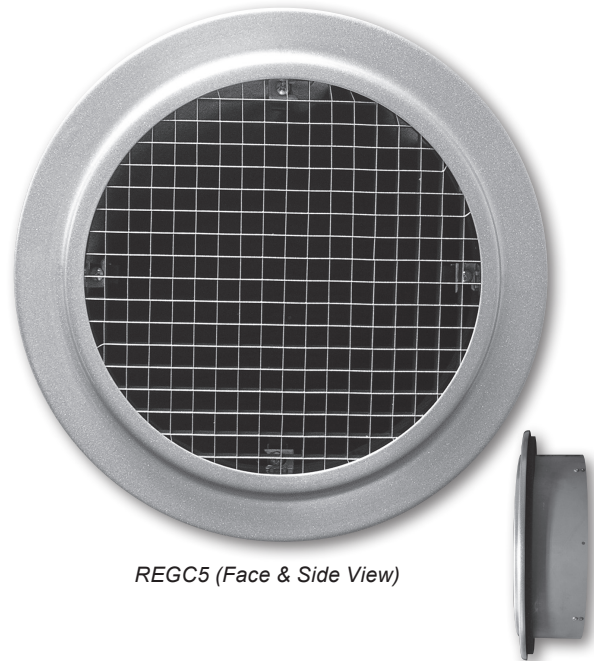
REGC5 - Aluminum, Round Egg-Crate, Round Duct Adaptor

FEATURES

- Aluminum construction.
- Round 1/2"x1/2"x1/2" egg-crate grille.
- For use in surface mount applications.
- Flex duct mounting frame available.
- Concealed mounting system standard.

FINISHES

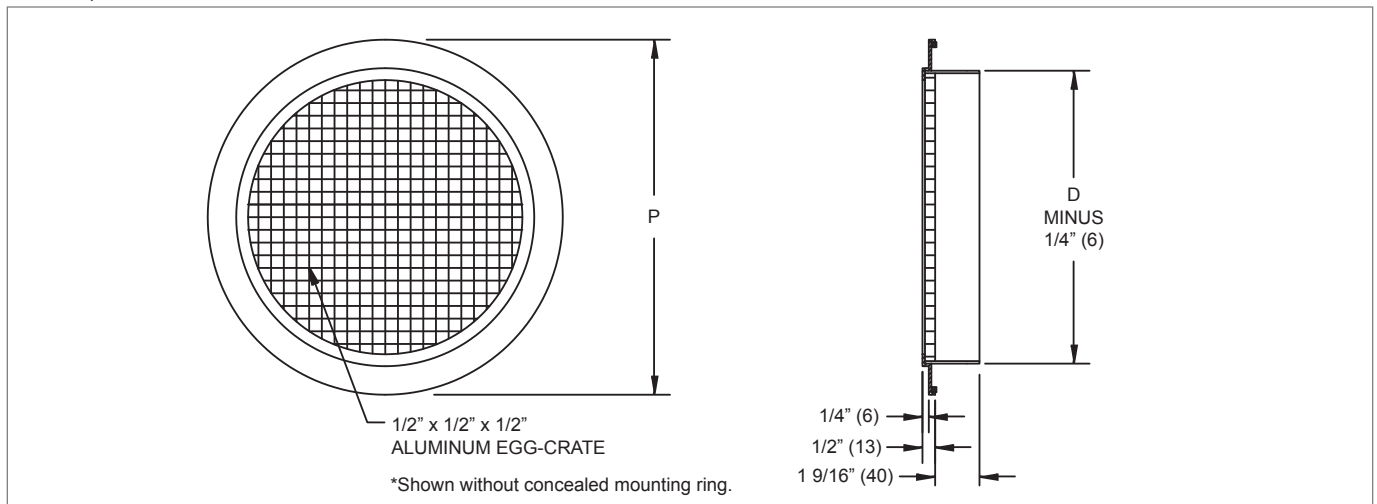
- Standard finish is #70 Silver Metallic.
- Optional finishes available.



REGC5 (Face & Side View)

REGC5 Dimensional Information

REGC5, FACE AND SIDE VIEWS



REGC5, DIMENSIONAL DETAILS

Nominal Size	Duct D	P
6	6" (152)	8 1/4" (210)
8	8" (203)	10 1/4" (260)
10	10" (254)	12 1/4" (311)
12	12" (305)	14 1/4" (362)
14	14" (356)	16 1/4" (413)
16	16" (406)	18 1/4" (464)
18	18" (457)	20 1/4" (514)
20	20" (508)	22 1/4" (565)
22	22" (559)	24 1/4" (616)
24	24" (610)	26 1/4" (667)
30	30" (762)	32 1/4" (819)

NOTE: Dimensions in parentheses are mm.