

R580RD, R5880RD | Round Single, Double Deflection

AIR NOZZLES & ROUND GRILLES



R5880RD (Face & Side View)

Introduction: R580RD, R5880RD

Designed to fit cleanly over the end of spiral or round duct work, this high capacity series of grilles feature an integrated round duct adaptor, which works great in exposed duct applications.

MODELS

R580RD - Aluminum, Round Single Deflection, Round Duct Adaptor

R5880RD - Aluminum, Round Double Deflection, Round Duct Adaptor

FEATURES

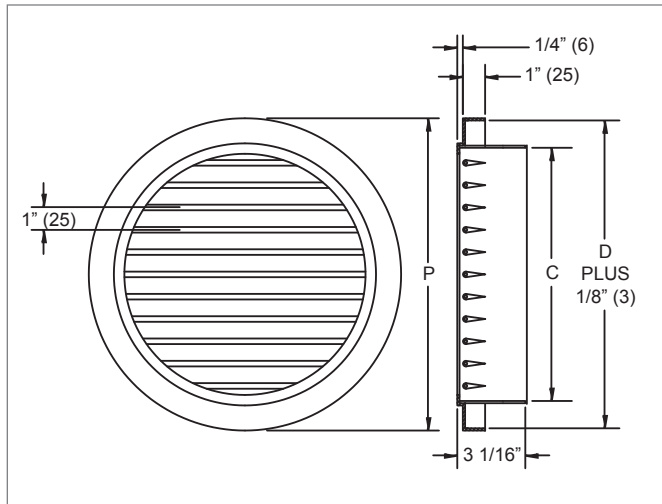
- Aluminum construction.
- Round single (R580RD) or double (R5880RD) deflection airfoil blade grille with 1" blade spacing.
- Easy finger tip adjustment.
- For use in exposed duct mount applications.
- Frame slides cleanly over end of exposed duct.

FINISHES

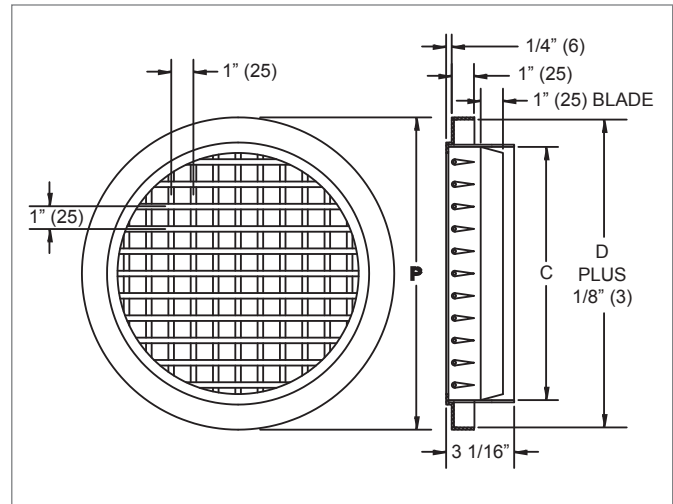
- Standard finish is #70 Silver Metallic.
- Optional finishes available.

R580RD, R5880RD Dimensional Information

R580RD, FACE AND SIDE VIEWS



R5880RD, FACE AND SIDE VIEWS



R580RD, DIMENSIONAL DETAILS

Nominal Size *	Core Size C	Duct D	P
6	5 7/8" (149)	8" (203)	8 1/4" (210)
8	7 7/8" (200)	10" (254)	10 1/4" (260)
10	9 7/8" (251)	12" (305)	12 1/4" (311)
12	11 7/8" (302)	14" (356)	14 1/4" (362)
14	13 7/8" (352)	16" (406)	16 1/4" (413)
16	15 7/8" (403)	18" (457)	18 1/4" (464)
18	17 7/8" (454)	20" (508)	20 1/4" (514)
20	19 7/8" (505)	22" (559)	22 1/4" (565)
22	21 7/8" (556)	24" (610)	24 1/4" (616)
24	23 7/8" (606)	26" (660)	26 1/4" (667)

R5880RD, DIMENSIONAL DETAILS

Nominal Size *	Core Size C	Duct D	P
6	5 7/8" (149)	8" (203)	8 1/4" (210)
8	7 7/8" (200)	10" (254)	10 1/4" (260)
10	9 7/8" (251)	12" (305)	12 1/4" (311)
12	11 7/8" (302)	14" (356)	14 1/4" (362)
14	13 7/8" (352)	16" (406)	16 1/4" (413)
16	15 7/8" (403)	18" (457)	18 1/4" (464)
18	17 7/8" (454)	20" (508)	20 1/4" (514)
20	19 7/8" (505)	22" (559)	22 1/4" (565)
22	21 7/8" (556)	24" (610)	24 1/4" (616)
24	23 7/8" (606)	26" (660)	26 1/4" (667)

NOTES: Dimensions in parentheses are mm.

* The nominal size is 2" (51) smaller than the duct size to which it mounts. Example: A size 10 mounts on a 12" (305) duct.

© KRUEGER 2012

7
5
8
0
1
7
5
8
0