

### Introduction: CRNRR, 5CRNRR

This high capacity concentric ring nozzle with an integrated round duct reducer is designed to fit cleanly inside the end of spiral or round duct. The diffuser provides a concentrated jet of air, which can be adjusted up to 60° of axial adjustment with 360° of rotation for a variety of directional control settings. The mounting style makes this a great nozzle to use in exposed duct applications.

#### MODELS

CRNRR - Steel Concentric Ring Nozzle, Round Duct Reducer  
 5CRNRR - Aluminum Concentric Ring Nozzle, Round Duct Reducer

#### FEATURES

- Steel or aluminum construction.
- Directional air pattern control. (60° axial adjustment with 360° of rotation.)
- For use in stub duct applications.

#### FINISHES

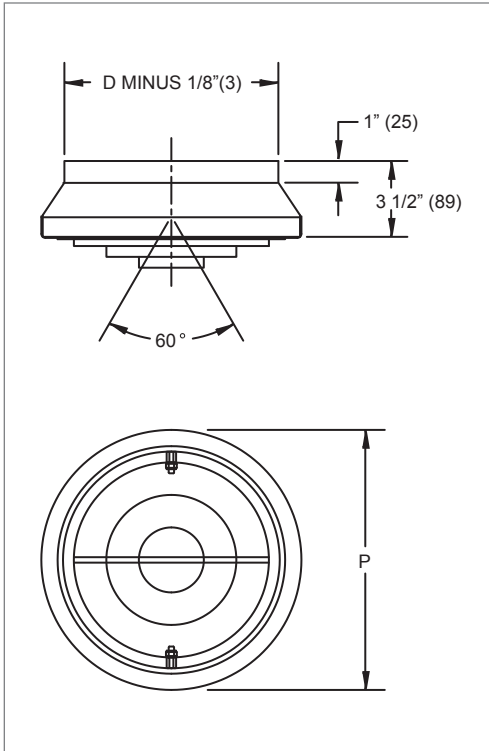
- Standard finish is #44 British White.
- Optional finishes available.



CRNRR (Face & Side View)

### CRNRR, 5CRNRR Dimensional Information

#### CRNRR, 5CRNRR, FACE AND SIDE VIEWS



#### CRNRR, 5CRNRR, DIMENSIONAL DETAILS

Nominal Size	Element Size E	Duct Size D	P
6	3" (76)	6" (152)	8 1/8" (206)
8	4 3/8" (111)	8" (203)	10 1/8" (257)
10	5 3/4" (146)	10" (254)	12 1/8" (308)
12	7 3/8" (187)	12" (305)	14 1/8" (359)
14	8 5/8" (219)	14" (356)	16 1/8" (410)
16	9 3/4" (248)	16" (406)	18 1/8" (460)
18	10 1/2" (267)	18" (457)	20 1/8" (511)

NOTE: Dimensions in parentheses are mm and rounded to the nearest 1/16".