

CRNP, 5CRNP | Concentric Ring, Panel Mount

Introduction: CRNP, 5CRNP



CRNP Face View

Designed for surface mount applications that require a panel, the high capacity concentric ring nozzle diffusers provide a concentrated jet of air. The nozzles can be adjusted up to 60° of axial adjustment with 360° of rotation for a variety of directional control settings. The panel can contain up to four nozzles and can control up to four different zones.

MODELS

- CRNP - Concentric Ring Nozzle, Panel Mount
- 5CRNP - Concentric Ring Nozzle, Panel Mount

FEATURES

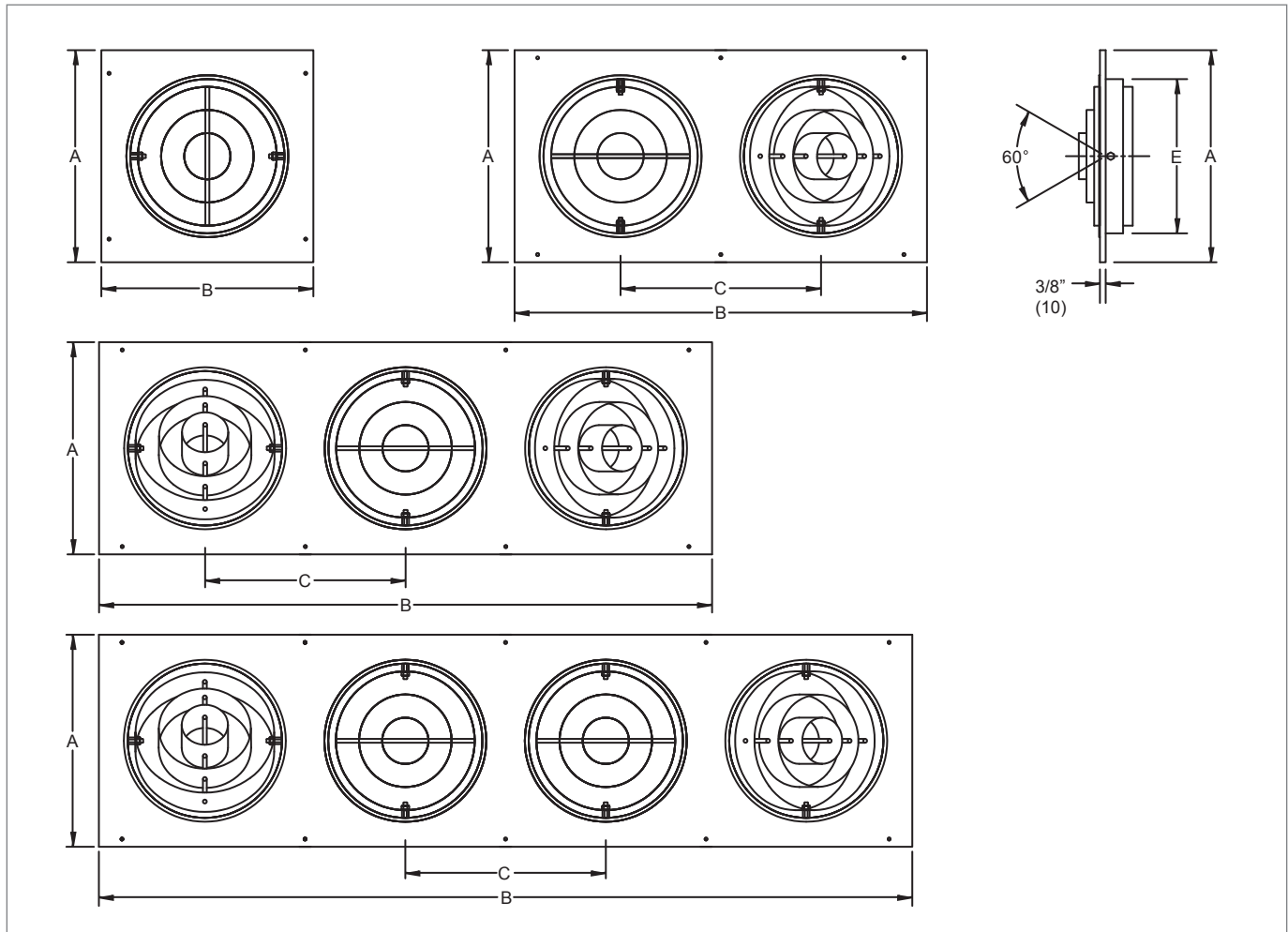
- Steel (CRNP) or aluminum (5CRNP) construction.
- Directional air pattern control. (60° Axial adjustment with 360° of rotation.)
- 1, 2, 3, or 4 nozzles per panel.
- For use in surface mount applications.

FINISHES

- Standard finish is #44 British White.
- Optional finishes available.

CRNP, 5CRNP Dimensional Information

RPN2P, RPN4P, FACE AND SIDE VIEWS



NOTE: Refer to the next page for additional dimensional information.

AIR NOZZLES & ROUND GRILLES

CRNP

© KRUEGER 2012