

Introduction: CRN, 5CRN

Designed for surface mount applications, this high capacity concentric ring nozzle diffuser provides a concentrated jet of air, which can be adjusted up to 60° of axial adjustment with 360° of rotation for a variety of directional control settings.

MODELS

CRN - Steel Concentric Ring Nozzle, Surface Mount

5CRN - Aluminum Concentric Ring Nozzle, Surface Mount

FEATURES

- Steel or aluminum construction.
- Directional air pattern control.
(60° Axial adjustment with 360° of rotation.)
- For use in surface mount applications.

FINISHES

- Standard finish is #44 British White.
- Optional finishes available.

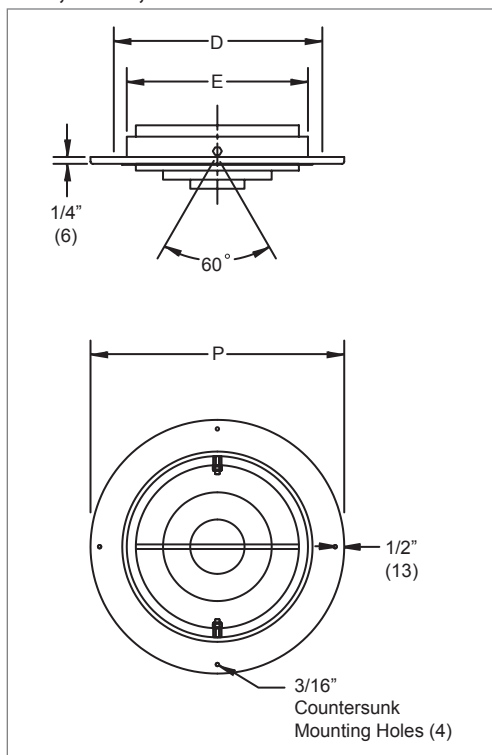


CRN (Face & Side View)



CRN, 5CRN Dimensional Information

CRN, 5CRN, FACE AND SIDE VIEWS



CRN, 5CRN, DIMENSIONAL DETAILS

Nominal Size*	Element Size E	Number of Rings	Duct Size D	P
4	4" (102)	3	6" (152)	8" (203)
6	6" (152)	3	8" (203)	10" (254)
8	8" (203)	3	10" (254)	12" (305)
10	10" (254)	3	12" (305)	14" (356)
12	12" (305)	3	14" (356)	16" (406)
14	14" (356)	4	16" (406)	18" (457)
16	16" (406)	4	18" (457)	20" (508)
18	18" (457)	4	20" (508)	22" (559)
20	20" (508)	5	22" (559)	24" (610)
22	22" (559)	5	24" (610)	26" (660)
24	24" (610)	5	26" (660)	28" (711)

NOTES: Dimensions in parentheses are mm and rounded to the nearest 1/16".

* The nominal size is 2" (51) smaller than the duct size to which it mounts.

Example: A size 10 mounts on a 12" (305) duct.