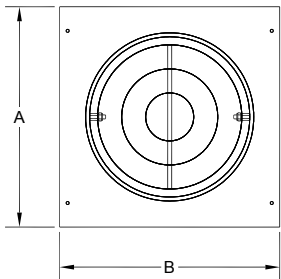


JOB NAME _____
 ARCHITECT _____
 ENGINEER _____
 CONTRACTOR _____
 LOCATION _____

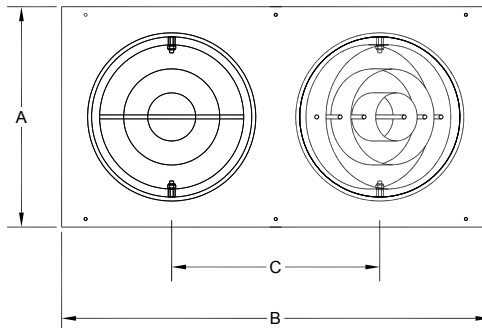
SUBMITTAL SHEET
 Form Number GS0083.0 Effective Date 08/07
 NEW



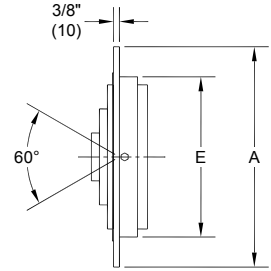
CRNP / 5CRNP – CONCENTRIC ROUND NOZZLE
SURFACE MOUNT PANEL SERIES



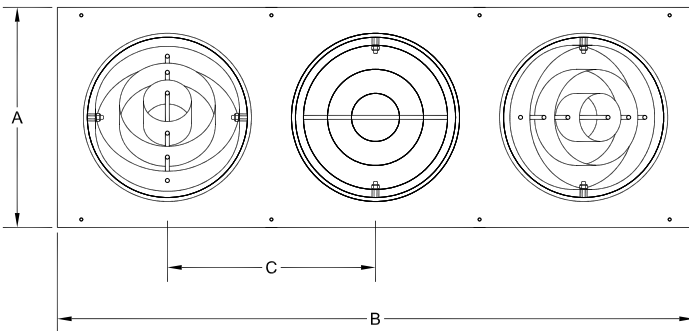
CRN-1P
 5CRN-1P



CRN-2P
 5CRN-2P



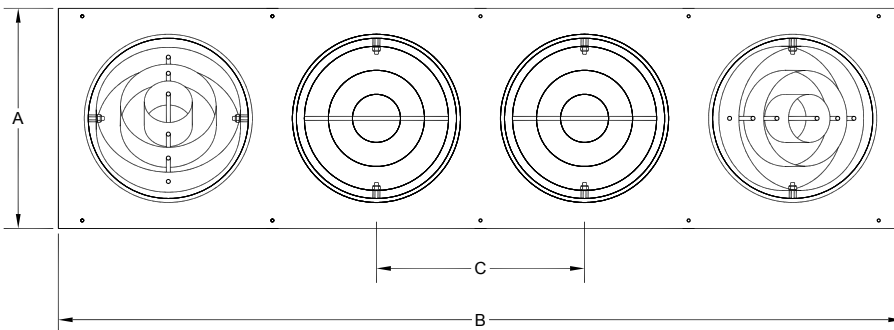
SIDE VIEW



CRN-3P
 5CRN-3P

STANDARD FEATURES:

1. Easy Finger Tip Adjustment.
2. Directional Air Pattern Control
 60° Axis Adjustment
 ± 30° Deflection
 360° Rotation
3. All units include Mounting Screws.
4. Standard Finish is 44 White.
5. Other finishes are available.



CRN-4P
 5CRN-4P

**DIMENSIONS ARE
 GIVEN AS INCHES
 (MM)**

**SEE PAGE 2 OF
 SUBMITTAL FOR
 DIMENSIONS**

JOB NAME _____
 ARCHITECT _____
 ENGINEER _____
 CONTRACTOR _____
 LOCATION _____

SUBMITTAL SHEET
 Form Number GS0083.0 Effective Date 08/07
 NEW



CRNP / 5CRNP – CONCENTRIC ROUND NOZZLE
SURFACE MOUNT PANEL SERIES

Model	E	# Nozzles	C	# Rings	A	B	H	W
(5)CRN-1P-4	4" (102)	1	-	3	8" (203)	8" (203)	6" (152)	6" (152)
(5)CRN-2P-4	4" (102)	2	6" (152)	3	8" (203)	15" (381)	6" (152)	12" (305)
(5)CRN-3P-4	4" (102)	3	6" (152)	3	8" (203)	20" (508)	6" (152)	18" (457)
(5)CRN-4P-4	4" (102)	4	6" (152)	3	8" (203)	26" (660)	6" (152)	24" (610)
(5)CRN-1P-5	5" (127)	1	-	3	10" (254)	10" (254)	8" (203)	8" (203)
(5)CRN-2P-5	5" (127)	2	8" (203)	3	10" (254)	18" (457)	8" (203)	16" (406)
(5)CRN-3P-5	5" (127)	3	8" (203)	3	10" (254)	24" (610)	8" (203)	22" (559)
(5)CRN-4P-5	5" (127)	4	8" (203)	3	10" (254)	32" (813)	8" (203)	30" (762)
(5)CRN-1P-6	6" (152)	1	-	3	10" (254)	10" (254)	8" (203)	8" (203)
(5)CRN-2P-6	6" (152)	2	9" (229)	3	10" (254)	19" (483)	8" (203)	17" (432)
(5)CRN-3P-6	6" (152)	3	9" (229)	3	10" (254)	28" (711)	8" (203)	26" (660)
(5)CRN-4P-6	6" (152)	4	9" (229)	3	10" (254)	37" (940)	8" (203)	35" (889)
(5)CRN-1P-8	8" (203)	1	-	3	12" (305)	12" (305)	10" (254)	10" (254)
(5)CRN-2P-8	8" (203)	2	12" (305)	3	12" (305)	24" (610)	10" (254)	22" (559)
(5)CRN-3P-8	8" (203)	3	12" (305)	3	12" (305)	36" (914)	10" (254)	34" (864)
(5)CRN-4P-8	8" (203)	4	12" (305)	3	12" (305)	48" (1219)	10" (254)	46" (1168)
(5)CRN-1P-10	10" (254)	1	-	3	14" (356)	14" (356)	12" (305)	12" (305)
(5)CRN-2P-10	10" (254)	2	13" (330)	3	14" (356)	27" (686)	12" (305)	25" (635)
(5)CRN-3P-10	10" (254)	3	13" (330)	3	14" (356)	40" (1016)	12" (305)	38" (965)
(5)CRN-4P-10	10" (254)	4	13" (330)	3	14" (356)	53" (1346)	12" (305)	51" (1295)
(5)CRN-1P-12	12" (305)	1	-	3	16" (406)	16" (406)	14" (356)	14" (356)
(5)CRN-2P-12	12" (305)	2	15" (381)	3	16" (406)	31" (787)	14" (356)	29" (737)
(5)CRN-3P-12	12" (305)	3	15" (381)	3	16" (406)	46" (1168)	14" (356)	44" (1118)
(5)CRN-4P-12	12" (305)	4	15" (381)	3	16" (406)	61" (1549)	14" (356)	59" (1499)
(5)CRN-1P-14	14" (356)	1	-	4	18" (457)	18" (457)	16" (406)	16" (406)
(5)CRN-2P-14	14" (356)	2	17" (432)	4	18" (457)	35" (889)	16" (406)	33" (838)
(5)CRN-3P-14	14" (356)	3	17" (432)	4	18" (457)	52" (1321)	16" (406)	50" (1270)
(5)CRN-4P-14	14" (356)	4	17" (432)	4	18" (457)	69" (1753)	16" (406)	67" (1702)
(5)CRN-1P-16	16" (406)	1	-	4	20" (508)	20" (508)	18" (457)	18" (457)
(5)CRN-2P-16	16" (406)	2	20" (508)	4	20" (508)	40" (1016)	18" (457)	38" (965)
(5)CRN-3P-16	16" (406)	3	20" (508)	4	20" (508)	60" (1524)	18" (457)	58" (1473)
(5)CRN-4P-16	16" (406)	4	20" (508)	4	20" (508)	80" (2032)	18" (457)	78" (1981)
(5)CRN-1P-18	18" (457)	1	-	4	22" (559)	22" (559)	20" (508)	20" (508)
(5)CRN-2P-18	18" (457)	2	22" (559)	4	22" (559)	46" (1168)	20" (508)	44" (1118)
(5)CRN-3P-18	18" (457)	3	22" (559)	4	22" (559)	67" (1702)	20" (508)	64" (1626)
(5)CRN-4P-18	18" (457)	4	22" (559)	4	22" (559)	90" (2286)	20" (508)	88" (2235)
(5)CRN-1P-20	20" (508)	1	-	5	24" (610)	24" (610)	22" (559)	22" (559)
(5)CRN-1P-22	22" (559)	1	-	5	26" (660)	26" (660)	24" (610)	24" (610)
(5)CRN-1P-24	24" (610)	1	-	5	28" (711)	28" (711)	26" (660)	26" (660)

NOTE: DIMENSIONS ROUNDED TO THE NEAREST 1/16" (2)