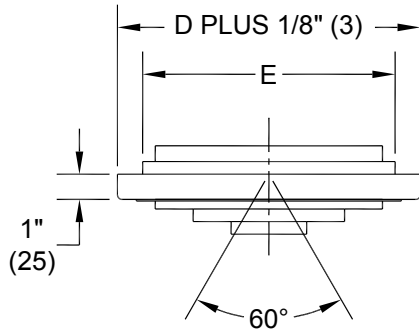


JOB NAME \_\_\_\_\_  
 ARCHITECT \_\_\_\_\_  
 ENGINEER \_\_\_\_\_  
 CONTRACTOR \_\_\_\_\_  
 LOCATION \_\_\_\_\_

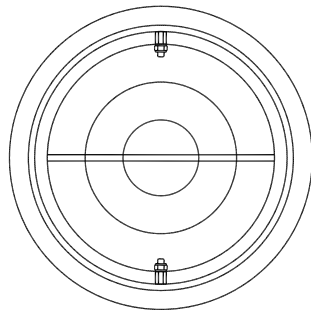
**SUBMITTAL SHEET**  
 Form Number GS0081.0 Effective Date 08/07  
 NEW



**CRNRD / 5CRNRD – CONCENTRIC ROUND NOZZLE  
 ROUND DUCT (STUB DUCT) MOUNT**



**SIDE VIEW**



**FACE VIEW**

**Note:** The nominal size is 2" (51) smaller than the duct size it mounts to. Ex. A size 10 mounts on 12" (305) duct.

**STANDARD FEATURES:**

- CRNRD** - Steel Construction
  - 5CRNRD** - Aluminum Construction
1. Easy Finger Tip Adjustment.
  2. Directional Air Pattern Control  
 60° Axis Adjustment  
 ± 30° Deflection  
 360° Rotation
  3. All units include Mounting Screws.
  4. Standard Finish is 44 White.
  5. Other finishes are available.

NOMINAL SIZE	ELEMENT SIZE E	NUMBER OF RINGS	DUCT SIZE D
4	4" (102)	3	6" (152)
5	5" (127)	3	6" (152)
6	6" (152)	3	8" (203)
8	8" (203)	3	10" (254)
10	10" (254)	3	12" (305)
12	12" (305)	3	14" (356)
14	14" (356)	4	16" (406)
16	16" (406)	4	18" (457)
18	18" (457)	4	20" (508)
20	20" (508)	5	22" (559)
22	22" (559)	5	24" (610)
24	24" (610)	5	26" (660)

NOTE: DIMENSIONS ROUNDED TO THE NEAREST 1/16" (2)

**DIMENSIONS ARE GIVEN AS  
 INCHES (MM)**