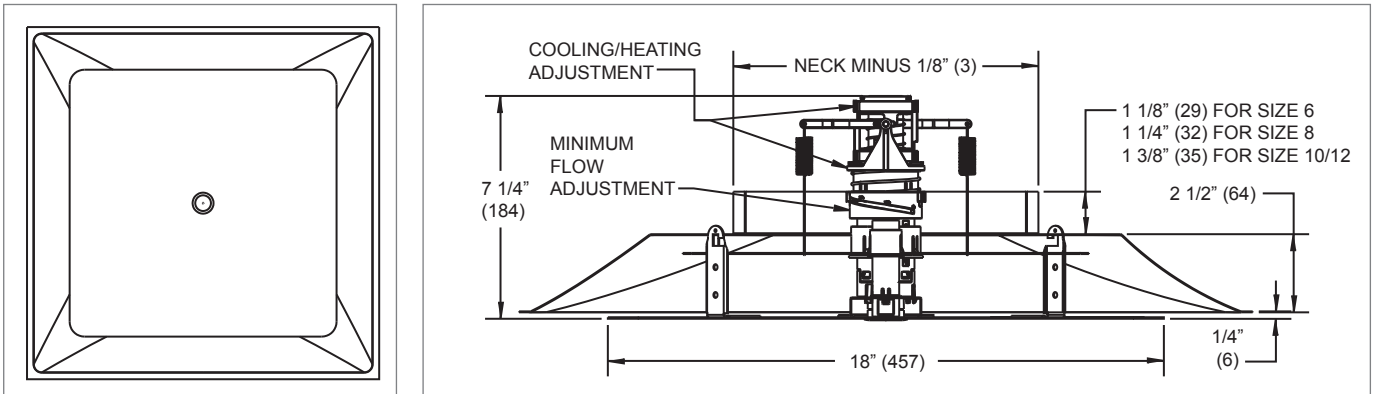
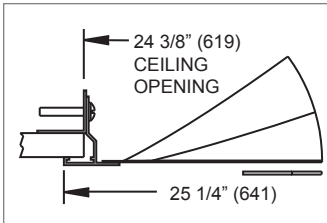
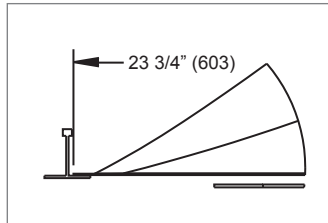
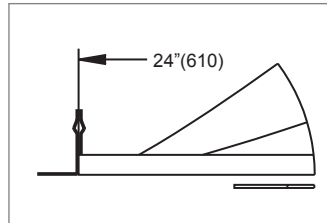
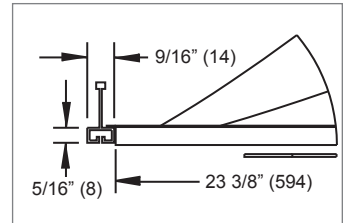
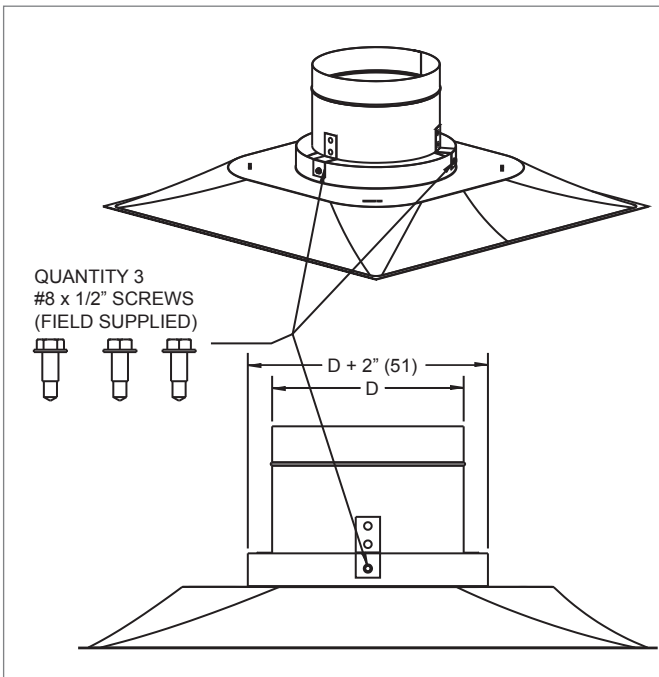


**VPQ (Thermal VAV Controls) Dimensional Information**
**VPQ-4 FACE VIEW & SIDE VIEW**


NOTES: A separate hard ceiling frame (model 5HCF23) is included with the F22, surface mount frame style.  
 All dimensions in parentheses are mm.

**VPQ (Thermal VAV Controls) Frame Styles**
**VPQ, FRAME 22,  
24"x24" PANEL  
SURFACE MOUNT**

**VPQ, FRAME 23,  
24"x24" PANEL  
LAY-IN T-BAR**

**VPQ, FRAME 24,  
24"x24" PANEL,  
SNAP-IN T-BAR**

**VPQ, FRAME 98,  
24"x24" PANEL,  
NARROW-T**


NOTES: A separate hard ceiling frame (model 5HCF23) is included with the F22, surface mount frame style.  
 All dimensions in parentheses are mm.

**VPQ (Thermal VAV Control) Relief Ring Accessory**
**VPQ-4 RELIEF RING VIEWS**

**RELIEF RING PARTS & SIZING**

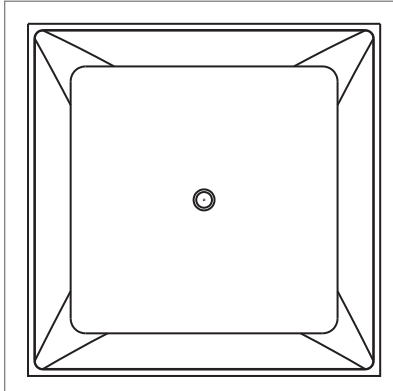
Part No.	D	D + 2" (51)
31636601	3 7/8" (98)	6" (152)
31636602	5 7/8" (149)	8" (203)
31636603	7 7/8" (200)	10" (254)
31636604	9 7/8" (251)	12" (305)

NOTES: Relief ring shipped separate for field installation. Diffuser neck must be upsized 2" (51) over ring size. All dimensions in parentheses are mm.

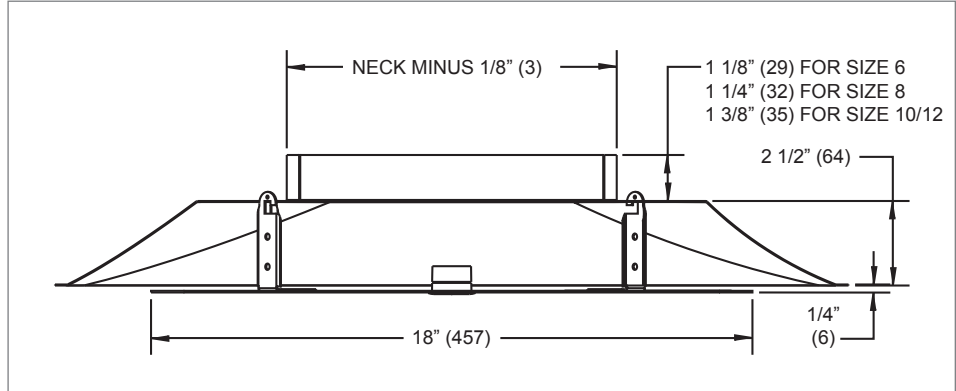
VPQ | Square Plaque Face, VAV Diffuser

**VPQ (Constant Volume / No Control) Dimensional Information**

VPQ-0 FACE VIEW



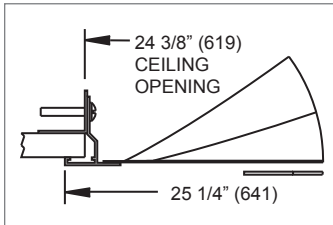
VPQ-0 SIDE VIEW



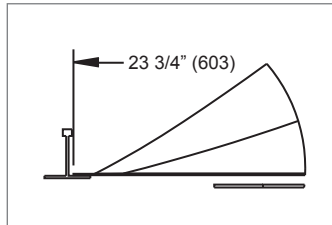
NOTE: All dimensions in parentheses are mm.

**VPQ (Constant Volume / No Control) Frame Styles**

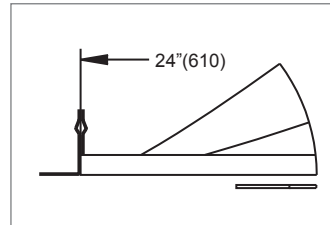
VPQ, FRAME 22,  
24"x24" PANEL  
SURFACE MOUNT



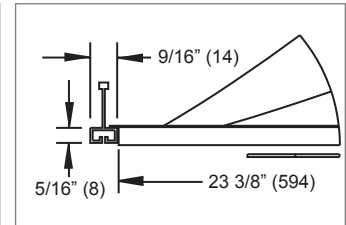
VPQ, FRAME 23,  
24"x24" PANEL  
LAY-IN T-BAR



VPQ, FRAME 24,  
24"x24" PANEL,  
SNAP-IN T-BAR



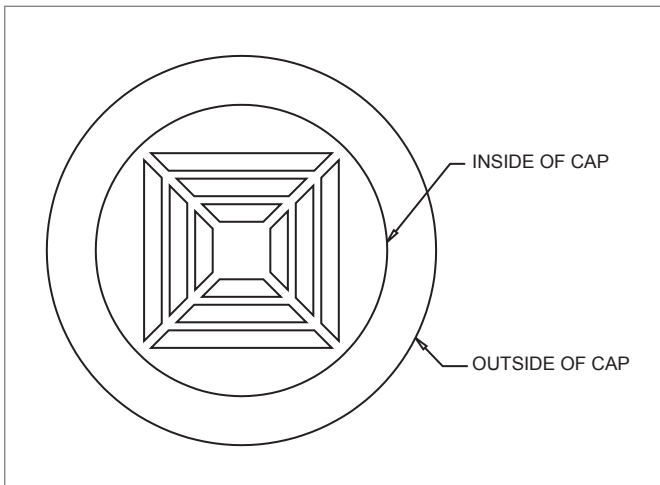
VPQ, FRAME 98,  
24"x24" PANEL,  
NARROW-T



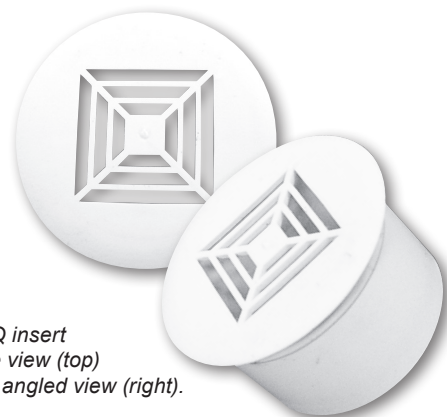
NOTES: A separate hard ceiling frame (model 5HCF23) is included with the F22, surface mount frame style. All dimensions in parentheses are mm.

**VPQ (Thermal VAV Control or Constant Volume) Insert Dimensional Information**

VPQ-0/VPQ-4 INSERT FACE VIEW



NOTE: Only available on VPQ-0 and VPQ-4.



VPQ insert  
face view (top)  
and angled view (right).

VAV DIFFUSERS

VPQ