



**600/600A/600C
5600/5600A**
These transfer grilles provide circulated air to adjoining spaces while protecting privacy. Available in aluminum and steel.

600, 600A, 600C, 5600, 5600A

Introduction	O1-3
Dimensional Information	O1-4
Reference Charts	O1-6
Performance Data	O1-7
Engineering Specifications	O1-13

Introduction: 600 Series

The 600/5600 series transfer grilles are designed to ensure visual privacy while providing air circulation from one area to another. The 600/5600 provides a single side mounting frame for use where appearance is an issue on only one side, as in a utility or storage closet. The 600A/5600A provides a double sided mounting frame to fit varying door thickness, where a finished look is required on both sides, as in an office or kitchen door. The 600C is a core only unit useful in applications where a frame is not desired. The sight-proof blade configuration and unobtrusive appearance make Krueger's 600/5600 series grille an ideal choice for wall or door air transfer from room to room.

MODELS

- 600 - Steel, sight-proof grille with 1 1/4" steel frame.
- 600A - Steel, sight-proof grille with 1 1/4" steel frame on both sides, which adjusts to fit door thickness between 1 3/8" and 2 1/4".
- 600C - Steel, sight-proof single core and channel frame with 3/16" margin.
- 5600 - Aluminum, sight-proof grille with 1 1/2" aluminum frame.
- 5600A - Aluminum, sight-proof grille with 1 1/2" aluminum frame on both sides, which adjusts to fit a door thickness between 1 3/8" and 2 1/4".

FINISHES

- Standard finish is #44 British White.
- Optional finishes available.

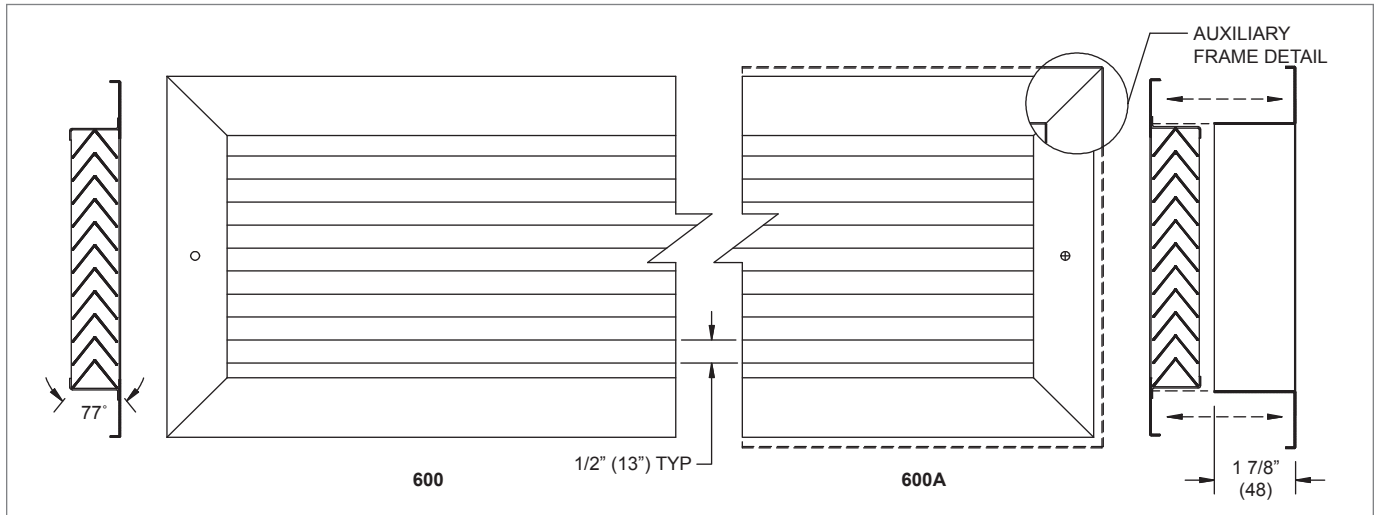


600

600, 600A, 600C, 5600, 5600A | Sight-proof Grilles

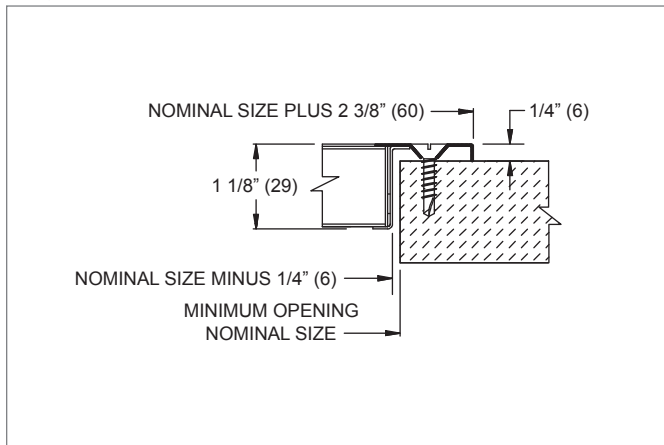
600, 600A, 600C Dimensional Information

600, 600A, FACE VIEW & CROSS SECTION

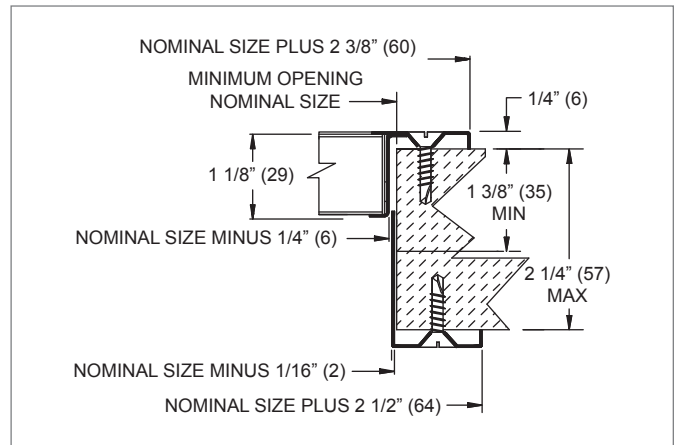


TRANSFER GRILLES

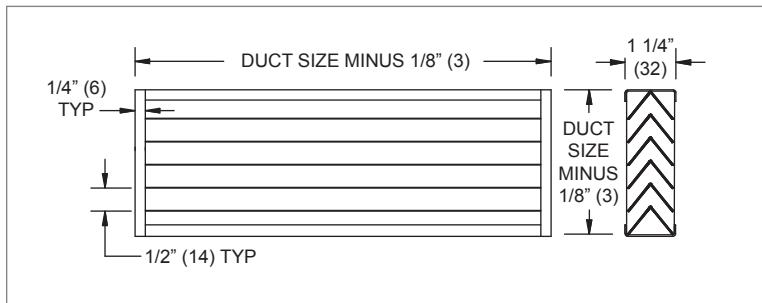
600, INSTALLATION DETAIL



600A, INSTALLATION DETAIL



600C, FACE VIEW & CROSS SECTION

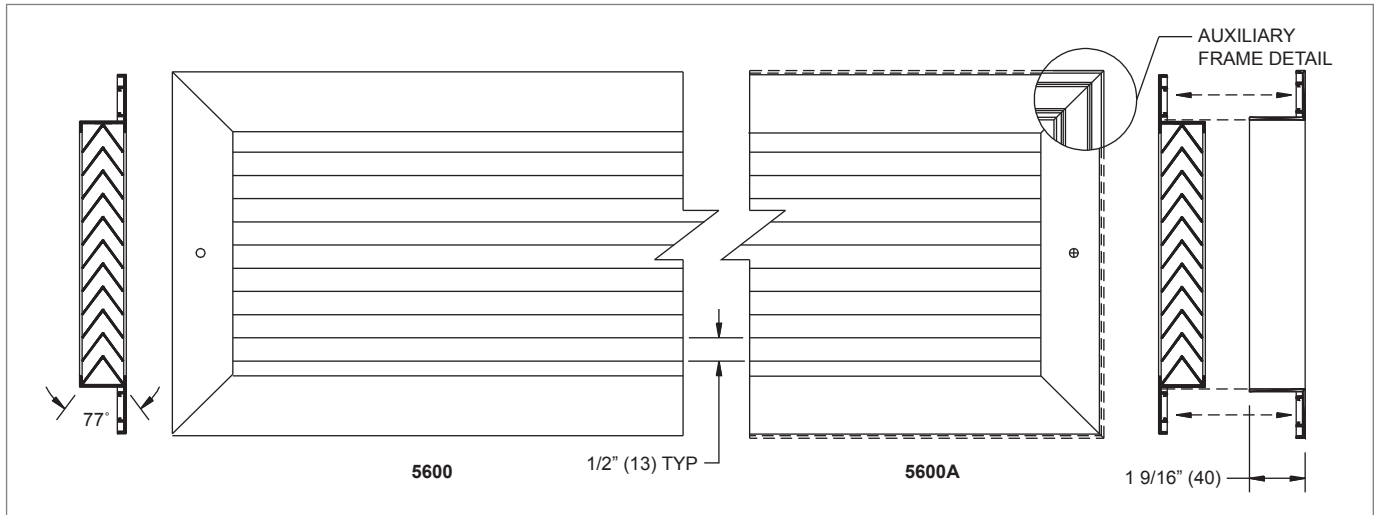


NOTE: Dimensions in parentheses are mm.

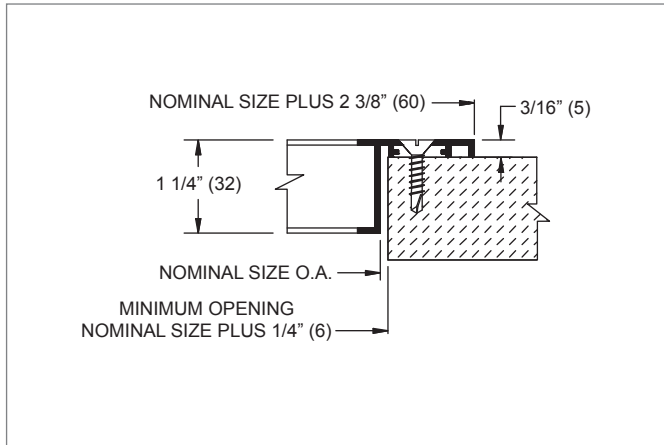
6000-5600

5600, 5600A Dimensional Information

5600, 5600A, FACE VIEW & CROSS SECTION

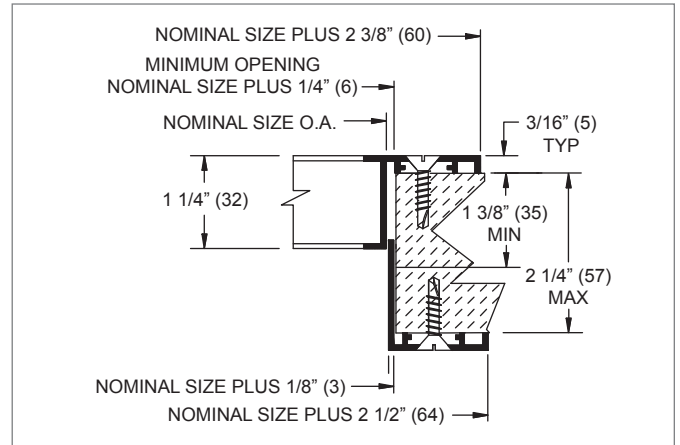


5600, INSTALLATION DETAIL



NOTE: Dimensions in parentheses are mm.

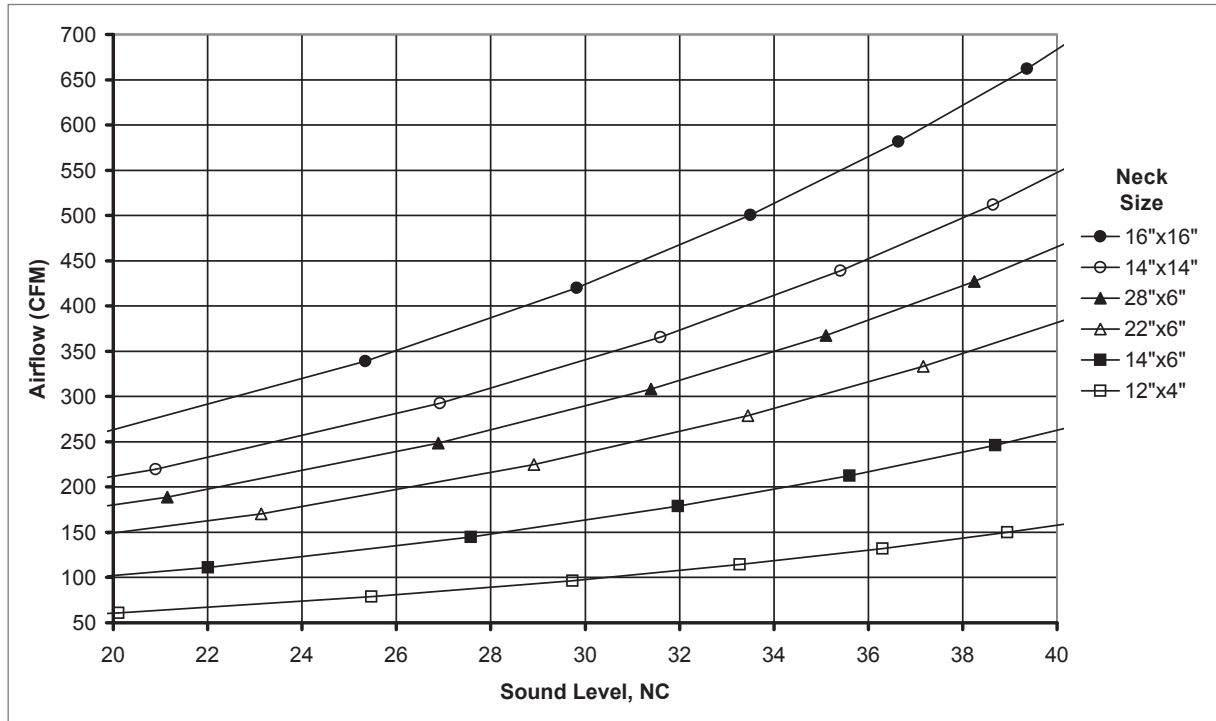
5600A, INSTALLATION DETAIL



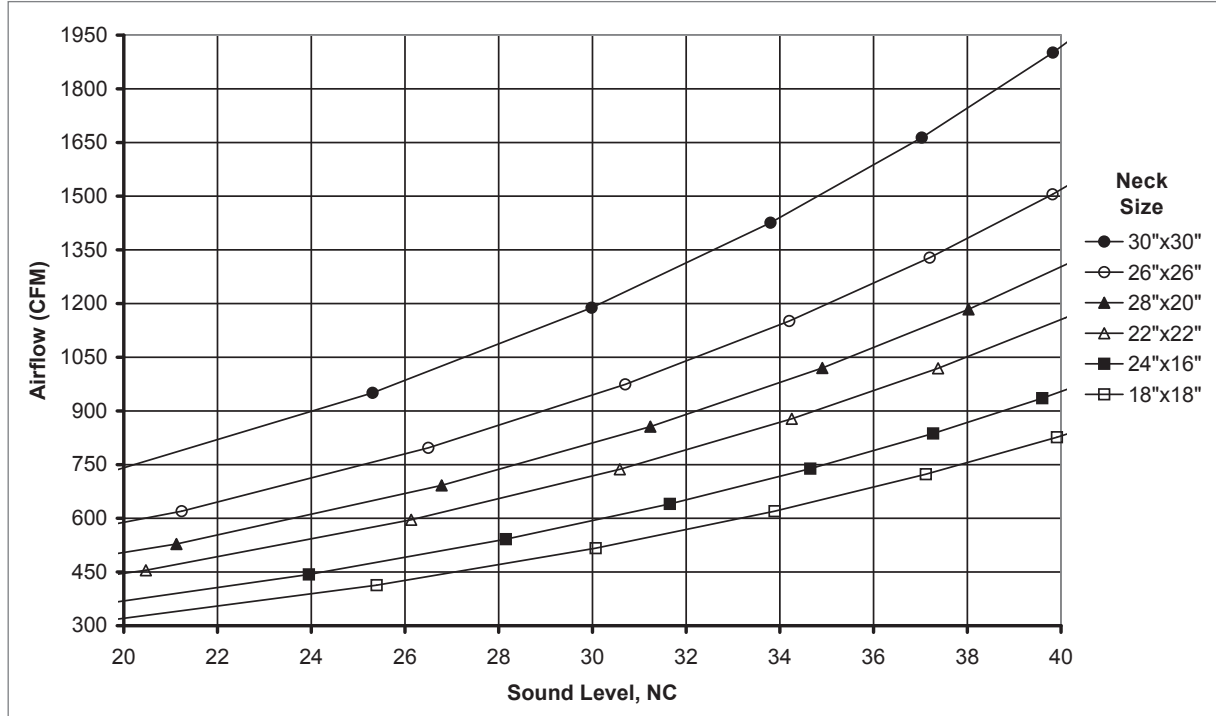
TRANSFER GRILLES

600, 600A, 600C, 5600, 5600A Reference Charts

AIRFLOW VS. NC LEVEL: 600, 600A, 600C, 5600, 5600A



AIRFLOW VS. NC LEVEL: 600, 600A, 600C, 5600, 5600A



TRANSFER GRILLES

6000-5600

600, 600A, 600C, 5600, 5600A Performance Data

IP/METRIC DATA: 600, 600A, 600C, 5600, 5600A

IP Data					NC	Metric Data					Octave Band, dB						
Nom Duct	Duct Area	Neck Vel	Air Flow	Ps		Nom Duct	Duct Area	Neck Vel	Air Flow	Ps	2	3	4	5	6	7	
in	ft ²	FPM	CFM	"WG	mm	m ²	m/s	L/s	Pa								
6" x 6"	0.25	180	34	.025	13	152 x 152	0.023	0.91	16	6.2	39	17	11	-	-	-	
		250	48	.048	20			1.27	23	11.9	38	21	16	-	-	-	
		320	61	.079	25			1.63	29	19.6	37	24	19	-	-	-	
		390	75	.117	29			1.98	35	29.0	37	27	22	12	-	-	
		460	88	.162	33			2.34	42	40.4	37	29	25	15	-	-	
		530	101	.215	35			2.69	48	53.6	36	31	27	18	13	-	
		600	115	.276	38			3.05	54	68.7	36	33	29	20	15	-	
		670	128	.344	40			3.40	61	85.7	36	34	30	22	17	11	
		740	142	.420	42			3.76	67	104.6	35	35	32	24	18	13	
12" x 4"	0.33	170	43	.022	13	305 x 102	0.031	0.86	20	5.5	40	17	11	-	-	-	
		240	61	.044	20			1.22	29	11.0	39	22	16	-	-	-	
		310	79	.074	25			1.57	37	18.3	39	25	20	-	-	-	
		380	96	.111	30			1.93	46	27.6	38	28	23	13	-	-	
		450	114	.155	33			2.29	54	38.7	38	30	26	16	11	-	
		520	132	.207	36			2.64	62	51.6	37	32	28	19	14	-	
		590	150	.267	39			3.00	71	66.5	37	34	30	21	16	-	
		660	168	.334	41			3.35	79	83.2	37	35	31	23	18	12	
		730	185	.409	43			3.71	87	101.8	37	36	33	25	19	14	
8" x 8"	0.44	170	62	.022	14	203 x 203	0.041	0.86	29	5.5	42	18	13	-	-	-	
		240	88	.044	22			1.22	41	11.0	41	23	18	-	-	-	
		310	113	.074	27			1.57	53	18.3	40	27	22	-	-	-	
		380	139	.111	31			1.93	65	27.6	40	29	25	14	-	-	
		450	164	.155	35			2.29	78	38.7	39	31	27	18	13	-	
		520	190	.207	38			2.64	90	51.6	39	33	29	20	15	-	
		590	215	.267	41			3.00	102	66.5	39	35	31	23	17	11	
		660	241	.334	43			3.35	114	83.2	38	37	33	25	19	13	
		730	266	.409	45			3.71	126	101.8	38	38	35	27	21	15	
20" x 4"	0.56	170	74	.022	15	508 x 102	0.052	0.86	35	5.5	42	19	14	-	-	-	
		240	104	.044	22			1.22	49	11.0	42	24	19	-	-	-	
		310	135	.074	28			1.57	64	18.3	41	27	22	11	-	-	
		380	165	.111	32			1.93	78	27.6	40	30	26	15	-	-	
		450	196	.155	36			2.29	92	38.7	40	32	28	18	13	-	
		520	226	.207	39			2.64	107	51.6	40	34	30	21	16	-	
		590	256	.267	41			3.00	121	66.5	39	36	32	23	18	12	
		660	287	.334	44			3.35	135	83.2	39	37	34	26	20	14	
		730	317	.409	46			3.71	150	101.8	39	39	35	27	22	16	
14" x 6"	0.58	160	77	.020	14	356 x 152	0.054	0.81	36	4.9	43	19	13	-	-	-	
		230	111	.041	22			1.17	52	10.1	42	24	18	-	-	-	
		300	145	.069	28			1.52	68	17.2	41	27	22	11	-	-	
		370	179	.105	32			1.88	84	26.1	41	30	26	15	-	-	
		440	213	.148	36			2.24	100	37.0	41	32	28	18	13	-	
		510	246	.199	39			2.59	116	49.7	40	34	30	21	16	-	
		580	280	.258	41			2.95	132	64.2	40	36	32	24	18	12	
		650	314	.324	44			3.30	148	80.7	40	38	34	26	20	14	
		720	348	.398	46			3.66	164	99.0	39	39	35	28	22	16	

NOTES: NC values are based on octave band 2 - 7 sound power levels minus a room absorption of 10dB, re 10⁻¹² Watts. Dash in space denotes a NC or dB value of less than 10. Data was obtained from tests conducted in accordance with ANSI/ASHRAE Standard 70, ISO Standard 5219, and ISO Standard 3741. See Krueger's selection program for performance data not shown, including octave band data.

TRANSFER GRILLES

600 - 5600

600, 600A, 600C, 5600, 5600A | Sight-proof Grilles

600, 600A, 600C, 5600, 5600A Performance Data

IP/METRIC DATA: 600, 600A, 600C, 5600, 5600A

IP Data					NC	Metric Data					Octave Band, dB						
Nom Duct	Duct Area	Neck Vel	Air Flow	Ps		Nom Duct	Duct Area	Neck Vel	Air Flow	Ps	2	3	4	5	6	7	
in	ft ²	FPM	CFM	"WG		mm	m ²	m/s	L/s	Pa							
10" x 10"	0.69	150	89	.017	14	254 x 254	0.065	0.76	42	4.3	44	19	13	-	-	-	
		220	131	.037	22			1.12	62	9.2	43	24	19	-	-	-	
		290	172	.064	28			1.47	81	16.1	42	28	23	11	-	-	
		360	214	.099	32			1.83	101	24.7	42	31	26	15	11	-	
		430	255	.142	36			2.18	121	35.3	42	33	29	19	14	-	
		500	297	.192	39			2.54	140	47.7	41	35	31	22	16	11	
		570	339	.249	42			2.90	160	62.0	41	37	33	24	19	13	
		640	380	.314	44			3.25	179	78.2	41	38	35	26	21	15	
710	422	.387	47	3.61	199	96.3	40	40	36	28	22	17					
16" x 8"	0.89	160	123	.020	16	406 x 203	0.083	0.81	58	4.9	45	21	15	-	-	-	
		230	177	.041	24			1.17	83	10.1	44	26	20	-	-	-	
		300	230	.069	30			1.52	109	17.2	43	29	24	13	-	-	
		370	284	.105	34			1.88	134	26.1	43	32	28	17	12	-	
		440	338	.148	38			2.24	159	37.0	43	34	30	20	15	-	
		510	392	.199	41			2.59	185	49.7	42	36	32	23	18	12	
		580	445	.258	43			2.95	210	64.2	42	38	34	25	20	14	
		650	499	.324	46			3.30	236	80.7	42	40	36	28	22	16	
720	553	.398	48	3.66	261	99.0	41	41	37	30	24	18					
22" x 6"	0.92	150	116	.017	15	559 x 152	0.085	0.76	55	4.3	45	20	14	-	-	-	
		220	170	.037	23			1.12	80	9.2	44	25	20	-	-	-	
		290	225	.064	29			1.47	106	16.1	44	29	24	12	-	-	
		360	279	.099	33			1.83	132	24.7	43	32	27	17	12	-	
		430	333	.142	37			2.18	157	35.3	43	34	30	20	15	-	
		500	387	.192	40			2.54	183	47.7	42	36	32	23	18	12	
		570	442	.249	43			2.90	208	62.0	42	38	34	25	20	14	
		640	496	.314	45			3.25	234	78.2	42	39	36	27	22	16	
710	550	.387	48	3.61	260	96.3	41	41	37	29	24	18					
12" x 12"	1.00	160	141	.020	17	305 x 305	0.093	0.81	66	4.9	45	21	16	-	-	-	
		225	198	.039	24			1.14	93	9.7	45	26	21	-	-	-	
		290	255	.064	29			1.47	120	16.1	44	29	24	13	-	-	
		355	312	.097	34			1.80	147	24.1	44	32	27	17	12	-	
		420	369	.135	37			2.13	174	33.7	43	34	30	20	15	-	
		485	426	.180	40			2.46	201	44.9	43	36	32	23	18	12	
		550	483	.232	43			2.79	228	57.8	43	38	34	25	20	14	
		615	541	.290	45			3.12	255	72.2	42	39	36	27	22	16	
680	598	.355	47	3.45	282	88.3	42	41	37	29	23	18					
28" x 6"	1.17	130	129	.013	13	711 x 152	0.108	0.66	61	3.2	46	19	13	-	-	-	
		190	189	.028	21			0.97	89	6.9	46	24	19	-	-	-	
		250	248	.048	27			1.27	117	11.9	45	28	23	11	-	-	
		310	308	.074	31			1.57	145	18.3	44	31	26	15	-	-	
		370	368	.105	35			1.88	173	26.1	44	33	29	18	13	-	
		430	427	.142	38			2.18	202	35.3	44	35	31	21	16	-	
		490	487	.184	41			2.49	230	45.8	43	37	33	23	18	12	
		550	546	.232	43			2.79	258	57.8	43	38	35	26	20	15	
610	606	.285	46	3.10	286	71.0	43	40	36	28	22	16					

NOTES: NC values are based on octave band 2 - 7 sound power levels minus a room absorption of 10dB, re 10⁻¹² Watts. Dash in space denotes a NC or dB value of less than 10. Data was obtained from tests conducted in accordance with ANSI/ASHRAE Standard 70, ISO Standard 5219, and ISO Standard 3741. See Krueger's selection program for performance data not shown, including octave band data.

TRANSFER GRILLES

6000-5600

600, 600A, 600C, 5600, 5600A Performance Data

IP/METRIC DATA: 600, 600A, 600C, 5600, 5600A

IP Data					NC	Metric Data					Octave Band, dB						
Nom Duct	Duct Area	Neck Vel	Air Flow	Ps		Nom Duct	Duct Area	Neck Vel	Air Flow	Ps	2	3	4	5	6	7	
in	ft ²	FPM	CFM	"WG	mm	m ²	m/s	L/s	Pa								
18" x 10"	1.25	120	133	.011	12	457 x 254	0.116	0.61	63	2.7	47	19	12	-	-	-	
		180	199	.025	20			0.91	94	6.2	46	24	18	-	-	-	
		240	266	.044	27			1.22	126	11.0	46	28	23	-	-	-	
		300	332	.069	31			1.52	157	17.2	45	31	26	15	-	-	
		360	399	.099	35			1.83	188	24.7	45	33	29	18	13	-	
		420	465	.135	38			2.13	220	33.7	44	35	31	21	16	-	
		480	532	.177	41			2.44	251	44.0	44	37	33	23	18	13	
		540	598	.224	43			2.74	282	55.7	44	39	35	26	20	15	
		600	665	.276	46			3.05	314	68.7	43	40	36	28	22	16	
24" x 8"	1.33	130	152	.013	14	610 x 203	0.124	0.66	72	3.2	47	20	14	-	-	-	
		190	222	.028	22			0.97	105	6.9	46	25	19	-	-	-	
		250	293	.048	28			1.27	138	11.9	46	29	23	11	-	-	
		310	363	.074	32			1.57	171	18.3	45	31	27	15	11	-	
		370	433	.105	36			1.88	204	26.1	45	34	29	19	14	-	
		430	503	.142	39			2.18	238	35.3	44	36	32	22	17	11	
		490	574	.184	42			2.49	271	45.8	44	38	34	24	19	13	
		550	644	.232	44			2.79	304	57.8	44	39	35	26	21	15	
		610	714	.285	46			3.10	337	71.0	44	40	37	28	23	17	
14" x 14"	1.36	120	146	.011	12	356 x 356	0.126	0.61	69	2.7	48	19	13	-	-	-	
		180	219	.025	21			0.91	104	6.2	47	24	19	-	-	-	
		240	293	.044	27			1.22	138	11.0	46	28	23	11	-	-	
		300	366	.069	32			1.52	173	17.2	45	31	26	15	11	-	
		360	439	.099	35			1.83	207	24.7	45	34	29	18	14	-	
		420	512	.135	39			2.13	242	33.7	45	36	31	21	16	11	
		480	585	.177	41			2.44	276	44.0	44	37	33	24	19	13	
		540	658	.224	44			2.74	311	55.7	44	39	35	26	21	15	
		600	732	.276	46			3.05	345	68.7	44	40	37	28	23	17	
20" x 12"	1.67	110	165	.009	11	508 x 305	0.155	0.56	78	2.3	49	19	12	-	-	-	
		160	241	.020	19			0.81	114	4.9	48	24	18	-	-	-	
		210	316	.034	25			1.07	149	8.4	47	27	22	-	-	-	
		260	391	.052	30			1.32	185	12.9	47	30	25	13	-	-	
		310	466	.074	33			1.57	220	18.3	46	33	28	16	12	-	
		360	541	.099	36			1.83	256	24.7	46	35	30	19	15	-	
		410	617	.129	39			2.08	291	32.1	46	36	32	22	17	11	
		460	692	.162	41			2.34	326	40.4	45	38	34	24	19	13	
		510	767	.199	44			2.59	362	49.7	45	39	35	26	21	15	
16" x 16"	1.78	110	178	.009	12	406 x 406	0.165	0.56	84	2.3	49	19	13	-	-	-	
		160	258	.020	20			0.81	122	4.9	48	24	18	-	-	-	
		210	339	.034	25			1.07	160	8.4	47	28	22	-	-	-	
		260	420	.052	30			1.32	198	12.9	47	30	25	13	-	-	
		310	501	.074	34			1.57	236	18.3	47	33	28	17	12	-	
		360	581	.099	37			1.83	274	24.7	46	35	30	20	15	-	
		410	662	.129	39			2.08	313	32.1	46	37	32	22	17	11	
		460	743	.162	42			2.34	351	40.4	46	38	34	24	19	13	
		510	824	.199	44			2.59	389	49.7	45	39	35	26	21	15	

NOTES: NC values are based on octave band 2 - 7 sound power levels minus a room absorption of 10dB, re 10⁻¹² Watts. Dash in space denotes a NC or dB value of less than 10. Data was obtained from tests conducted in accordance with ANSI/ASHRAE Standard 70, ISO Standard 5219, and ISO Standard 3741. See Krueger's selection program for performance data not shown, including octave band data.

TRANSFER GRILLES

600 - 5600

600, 600A, 600C, 5600, 5600A | Sight-proof Grilles

600, 600A, 600C, 5600, 5600A Performance Data

IP/METRIC DATA: 600, 600A, 600C, 5600, 5600A

IP Data					NC	Metric Data					Octave Band, dB						
Nom Duct	Duct Area	Neck Vel	Air Flow	Ps		Nom Duct	Duct Area	Neck Vel	Air Flow	Ps	2	3	4	5	6	7	
in	ft ²	FPM	CFM	"WG		mm	m ²	m/s	L/s	Pa							
26" x 10"	1.81	110	178	.009	12	660 x 254	0.168	0.56	84	2.3	49	19	13	-	-	-	
		160	260	.020	20			0.81	122	4.9	48	24	18	-	-	-	
		210	341	.034	25			1.07	161	8.4	47	28	22	-	-	-	
		260	422	.052	30			1.32	199	12.9	47	30	25	13	-	-	
		310	503	.074	34			1.57	237	18.3	47	33	28	17	12	-	
		360	584	.099	37			1.83	276	24.7	46	35	30	20	15	-	
		410	665	.129	39			2.08	314	32.1	46	37	32	22	17	11	
		460	746	.162	42			2.34	352	40.4	46	38	34	24	19	13	
		510	827	.199	44			2.59	390	49.7	45	39	35	26	21	15	
22" x 14"	2.14	110	215	.009	13	559 x 356	0.199	0.56	102	2.3	50	20	13	-	-	-	
		160	313	.020	20			0.81	148	4.9	49	25	19	-	-	-	
		210	411	.034	26			1.07	194	8.4	48	28	23	-	-	-	
		260	508	.052	31			1.32	240	12.9	48	31	26	14	-	-	
		310	606	.074	34			1.57	286	18.3	47	34	29	18	13	-	
		360	704	.099	37			1.83	332	24.7	47	36	31	20	16	-	
		410	802	.129	40			2.08	378	32.1	47	37	33	23	18	12	
		460	899	.162	43			2.34	424	40.4	46	39	35	25	20	14	
		510	997	.199	45			2.59	471	49.7	46	40	36	27	22	16	
18" x 18"	2.25	100	207	.008	11	457 x 457	0.209	0.51	98	1.9	50	19	12	-	-	-	
		150	310	.017	19			0.76	146	4.3	49	24	18	-	-	-	
		200	413	.031	25			1.02	195	7.6	49	28	23	-	-	-	
		250	517	.048	30			1.27	244	11.9	48	31	26	14	-	-	
		300	620	.069	34			1.52	293	17.2	48	33	29	17	13	-	
		350	723	.094	37			1.78	341	23.4	47	35	31	20	16	-	
		400	827	.123	40			2.03	390	30.6	47	37	33	23	18	12	
		450	930	.155	42			2.29	439	38.7	47	39	35	25	20	14	
		500	1033	.192	45			2.54	488	47.7	46	40	36	27	22	16	
28" x 12"	2.33	100	213	.008	11	711 x 305	0.217	0.51	100	1.9	50	19	12	-	-	-	
		140	298	.015	18			0.71	141	3.7	50	23	17	-	-	-	
		180	383	.025	23			0.91	181	6.2	49	27	21	-	-	-	
		220	468	.037	28			1.12	221	9.2	48	29	24	11	-	-	
		260	554	.052	31			1.32	261	12.9	48	32	27	15	11	-	
		300	639	.069	34			1.52	301	17.2	48	34	29	17	13	-	
		340	724	.089	37			1.73	342	22.1	47	35	31	20	15	-	
		380	809	.111	39			1.93	382	27.6	47	37	32	22	17	11	
		420	894	.135	41			2.13	422	33.7	47	38	34	24	19	13	
24" x 16"	2.67	100	246	.008	12	610 x 406	0.248	0.51	116	1.9	51	19	13	-	-	-	
		140	345	.015	19			0.71	163	3.7	50	24	18	-	-	-	
		180	443	.025	24			0.91	209	6.2	50	27	22	-	-	-	
		220	542	.037	28			1.12	256	9.2	49	30	25	12	-	-	
		260	640	.052	32			1.32	302	12.9	49	32	27	15	11	-	
		300	739	.069	35			1.52	349	17.2	48	34	29	18	14	-	
		340	837	.089	37			1.73	395	22.1	48	36	31	20	16	-	
		380	936	.111	40			1.93	442	27.6	48	37	33	22	18	12	
		420	1034	.135	42			2.13	488	33.7	48	39	34	24	19	14	

NOTES: NC values are based on octave band 2 - 7 sound power levels minus a room absorption of 10dB, re 10⁻¹² Watts. Dash in space denotes a NC or dB value of less than 10. Data was obtained from tests conducted in accordance with ANSI/ASHRAE Standard 70, ISO Standard 5219, and ISO Standard 3741. See Krueger's selection program for performance data not shown, including octave band data.

TRANSFER GRILLES

6000-5600

600, 600A, 600C, 5600, 5600A Performance Data
IP/METRIC DATA: 600, 600A, 600C, 5600, 5600A

IP Data					NC	Metric Data					Octave Band, dB						
Nom Duct	Duct Area	Neck Vel	Air Flow	Ps		Nom Duct	Duct Area	Neck Vel	Air Flow	Ps	2	3	4	5	6	7	
in	ft ²	FPM	CFM	"WG	mm	m ²	m/s	L/s	Pa								
20" x 20"	2.78	120	309	.011	16	508 x 508	0.258	0.61	146	2.7	51	22	16	-	-	-	
		165	425	.021	22			0.84	200	5.2	50	26	21	-	-	-	
		210	540	.034	27			1.07	255	8.4	49	30	24	11	-	-	
		255	656	.050	31			1.30	310	12.4	49	32	27	15	11	-	
		300	772	.069	35			1.52	364	17.2	49	34	30	18	14	-	
		345	888	.091	38			1.75	419	22.7	48	36	32	21	16	-	
		390	1004	.117	40			1.98	474	29.0	48	38	33	23	18	13	
		435	1119	.145	43			2.21	528	36.1	48	39	35	25	20	14	
		480	1235	.177	45			2.44	583	44.0	47	41	37	27	22	16	
30" x 14"	2.92	110	296	.009	14	762 x 356	0.271	0.56	140	2.3	51	21	15	-	-	-	
		155	417	.018	21			0.79	197	4.6	50	26	20	-	-	-	
		200	538	.031	27			1.02	254	7.6	50	29	24	11	-	-	
		245	659	.046	31			1.24	311	11.5	49	32	27	14	11	-	
		290	781	.064	34			1.47	368	16.1	49	34	29	18	13	-	
		335	902	.086	37			1.70	426	21.4	49	36	31	20	16	-	
		380	1023	.111	40			1.93	483	27.6	48	38	33	23	18	12	
		425	1144	.139	42			2.16	540	34.5	48	39	35	25	20	14	
		470	1265	.169	44			2.39	597	42.2	48	41	36	27	22	16	
26" x 18"	3.25	100	302	.008	13	660 x 457	0.302	0.51	143	1.9	52	20	14	-	-	-	
		145	439	.016	20			0.74	207	4.0	51	25	19	-	-	-	
		190	575	.028	26			0.97	271	6.9	50	29	23	-	-	-	
		235	711	.042	30			1.19	335	10.5	50	32	27	14	-	-	
		280	847	.060	34			1.42	400	15.0	49	34	29	18	13	-	
		325	983	.081	37			1.65	464	20.2	49	36	31	20	16	-	
		370	1119	.105	40			1.88	528	26.1	49	38	33	23	18	12	
		415	1255	.132	42			2.11	592	32.9	48	39	35	25	20	14	
		460	1391	.162	44			2.34	657	40.4	48	41	37	27	22	16	
22" x 22"	3.36	100	314	.008	13	559 x 559	0.312	0.51	148	1.9	52	21	14	-	-	-	
		145	455	.016	20			0.74	215	4.0	51	25	20	-	-	-	
		190	596	.028	26			0.97	281	6.9	50	29	24	-	-	-	
		235	737	.042	31			1.19	348	10.5	50	32	27	14	-	-	
		280	878	.060	34			1.42	414	15.0	50	34	29	18	13	-	
		325	1019	.081	37			1.65	481	20.2	49	36	32	20	16	-	
		370	1160	.105	40			1.88	548	26.1	49	38	33	23	18	12	
		415	1301	.132	42			2.11	614	32.9	49	40	35	25	20	14	
		460	1442	.162	45			2.34	681	40.4	48	41	37	27	22	16	
28" x 20"	3.89	100	364	.008	13	711 x 508	0.361	0.51	172	1.9	53	21	15	-	-	-	
		145	528	.016	21			0.74	249	4.0	52	26	20	-	-	-	
		190	692	.028	27			0.97	327	6.9	51	30	24	11	-	-	
		235	856	.042	31			1.19	404	10.5	51	33	27	15	11	-	
		280	1020	.060	35			1.42	481	15.0	50	35	30	18	14	-	
		325	1184	.081	38			1.65	559	20.2	50	37	32	21	17	11	
		370	1348	.105	41			1.88	636	26.1	50	39	34	24	19	13	
		415	1512	.132	43			2.11	713	32.9	49	40	36	26	21	15	
		460	1676	.162	45			2.34	791	40.4	49	42	37	28	23	17	

NOTES: NC values are based on octave band 2 - 7 sound power levels minus a room absorption of 10dB, re 10⁻¹² Watts. Dash in space denotes a NC or dB value of less than 10. Data was obtained from tests conducted in accordance with ANSI/ASHRAE Standard 70, ISO Standard 5219, and ISO Standard 3741. See Krueger's selection program for performance data not shown, including octave band data.

600, 600A, 600C, 5600, 5600A | Sight-proof Grilles

600, 600A, 600C, 5600, 5600A Performance Data

IP/METRIC DATA: 600, 600A, 600C, 5600, 5600A

IP Data					NC	Metric Data					Octave Band, dB						
Nom Duct	Duct Area	Neck Vel	Air Flow	Ps		Nom Duct	Duct Area	Neck Vel	Air Flow	Ps	2	3	4	5	6	7	
in	ft²	FPM	CFM	"WG		mm	m²	m/s	L/s	Pa							
24" x 24"	4.00	100	375	.008	13	610 x 610	0.372	0.51	177	1.9	53	21	15	-	-	-	
		140	526	.015	21			0.71	248	3.7	52	26	20	-	-	-	
		180	676	.025	26			0.91	319	6.2	51	29	24	-	-	-	
		220	826	.037	30			1.12	390	9.2	51	32	27	14	-	-	
		260	976	.052	33			1.32	461	12.9	50	34	29	17	13	-	
		300	1126	.069	36			1.52	531	17.2	50	36	31	20	15	-	
		340	1276	.089	39			1.73	602	22.1	50	38	33	22	18	12	
		380	1426	.111	41			1.93	673	27.6	50	39	35	24	20	14	
		420	1577	.135	44			2.13	744	33.7	49	40	36	26	21	15	
30" x 22"	4.58	100	432	.008	14	762 x 559	0.426	0.51	204	1.9	53	22	15	-	-	-	
		140	604	.015	21			0.71	285	3.7	53	26	20	-	-	-	
		180	777	.025	26			0.91	367	6.2	52	30	24	11	-	-	
		220	950	.037	31			1.12	448	9.2	51	32	27	14	11	-	
		260	1122	.052	34			1.32	530	12.9	51	35	30	18	14	-	
		300	1295	.069	37			1.52	611	17.2	51	37	32	20	16	-	
		340	1468	.089	40			1.73	693	22.1	50	38	34	23	18	12	
		380	1640	.111	42			1.93	774	27.6	50	40	35	25	20	14	
		420	1813	.135	44			2.13	856	33.7	50	41	37	27	22	16	
26" x 26"	4.69	100	443	.008	14	660 x 660	0.436	0.51	209	1.9	53	22	15	-	-	-	
		140	620	.015	21			0.71	293	3.7	53	26	20	-	-	-	
		180	797	.025	26			0.91	376	6.2	52	30	24	11	-	-	
		220	974	.037	31			1.12	460	9.2	52	33	27	15	11	-	
		260	1151	.052	34			1.32	543	12.9	51	35	30	18	14	-	
		300	1328	.069	37			1.52	627	17.2	51	37	32	20	16	-	
		340	1505	.089	40			1.73	710	22.1	51	38	34	23	18	12	
		380	1682	.111	42			1.93	794	27.6	50	40	35	25	20	14	
		420	1860	.135	44			2.13	878	33.7	50	41	37	27	22	16	
28" x 28"	5.44	90	464	.006	13	711 x 711	0.506	0.46	219	1.5	54	21	15	-	-	-	
		130	670	.013	20			0.66	316	3.2	53	26	20	-	-	-	
		170	877	.022	26			0.86	414	5.5	53	30	24	-	-	-	
		210	1083	.034	30			1.07	511	8.4	52	33	27	14	11	-	
		250	1289	.048	34			1.27	608	11.9	52	35	30	18	14	-	
		290	1495	.064	37			1.47	706	16.1	52	37	32	20	16	-	
		330	1702	.084	40			1.68	803	20.8	51	39	34	23	18	13	
		370	1908	.105	42			1.88	900	26.1	51	40	36	25	20	15	
		410	2114	.129	44			2.08	998	32.1	51	41	37	27	22	16	
30" x 30"	6.25	80	475	.005	11	762 x 762	0.581	0.41	224	1.2	55	20	13	-	-	-	
		120	713	.011	19			0.61	336	2.7	54	26	19	-	-	-	
		160	951	.020	25			0.81	449	4.9	54	30	24	-	-	-	
		200	1188	.031	30			1.02	561	7.6	53	32	27	14	-	-	
		240	1426	.044	34			1.22	673	11.0	53	35	30	17	14	-	
		280	1664	.060	37			1.42	785	15.0	52	37	32	20	16	-	
		320	1901	.079	40			1.63	897	19.6	52	39	34	23	18	13	
		360	2139	.099	42			1.83	1009	24.7	52	40	36	25	21	15	
		400	2377	.123	45			2.03	1122	30.6	51	42	37	27	22	17	

NOTES: NC values are based on octave band 2 - 7 sound power levels minus a room absorption of 10dB, re 10⁻¹² Watts. Dash in space denotes a NC or dB value of less than 10. Data was obtained from tests conducted in accordance with ANSI/ASHRAE Standard 70, ISO Standard 5219, and ISO Standard 3741. See Krueger's selection program for performance data not shown, including octave band data.

TRANSFER GRILLES

600 - 5600

600, 600A, 600C, 5600, 5600A Suggested Specification & Configuration
1. SERIES: (XXXXX)

- 600 - Single Flat Frame, Steel Door Grille
- 600A - Double Flat Frame, Steel Door Grille
- 600C - Channel Frame, Steel Door Grille
- 5600 - Single Flat Frame, Aluminum Door Grille
- 5600A - Double Flat Frame, Aluminum Door Grille

2. WIDTH: (XX)

- 6" - 30" in 1" Increments

3. HEIGHT: (XX)

- 4" - 30" in 1" Increments

4. FASTENING METHOD: (XX) *

- 00 - No Screw Holes
- 01 - Screw Holes

5. FINISH: (XX)

- 01 - Mill
- 10 - Alumican
- 32 - Canyon Brown
- 35 - Black
- 44 - British White

* Fastening method does not apply to model 600C grille.

600, 600A, 600C

The door grille shall be a Krueger model 600 (steel). This grille shall have 20 gage, V-shaped blades at 77° deflection spaced no further than 1/2" apart to provide a sight-proof barrier. The frame of the grille must be constructed of 20 gage steel. This frame must also produce a border of 1 1/4" around all sides of the grille with mitered corners.

Model 600A is the same as 600 but comes with a 20 gage steel auxiliary frame for mounting on the back side of the door grille.

Model 600C is constructed the same as 600, except the 1 1/4" border is replaced with a 20 gage channel frame around all sides of the grille.

5600, 5600A

The door grille shall be a Krueger model 5600 (aluminum). This grille shall have aluminum blades with .040" minimum thickness and V-shaped at 77° deflection spaced no further than 1/2" apart to provide a sight-proof barrier. The frame of the grille must be constructed of extruded aluminum with .040" minimum thickness. This frame must also produce a border of 1 7/16" around all sides of the grille with mitered corners.

Model 5600A is the same as 5600 but comes with an extruded aluminum .040" minimum thickness auxiliary frame for mounting on the back side of the door grille.

PERFORMANCE

The manufacturer shall provide published (printed or electronic) performance data for the diffuser. Performance data shall include 2 - 7 octave band sound power levels. The diffuser shall be tested in accordance to the data standards at the time of product introduction or ANSI/ASHRAE Standard 70.

FINISH

The paint finish shall be #44 British White and be an anodic acrylic paint, baked at 315°F for 30 minutes. The paint thickness shall be 0.8 – 1.0 mils, gloss at 60° per ASTM D523-89 of 50 – 85%, pencil hardness per ASTM D3363-92A of HB – H, crosshatch adhesion per ASTM D3359-83 of 4B – 5B, impact per ASTM D2794-93 of direct impact >100 in/lb and reverse impact >80 in/lb, salt spray per ASTM B117-9048 of 96 hours, humidity per ASTM D2247-92 of >500 hours and water soak per ASTM D870-92 of 250 hours.