

Introduction: 13SD

The 13SD security grille is designed for suicide deterrent applications. Krueger offers this product to comply with California TITLE 24, which has become a popular benchmark for maximum security air distribution products.

MODEL

13SD - Steel suicide deterrent security grille with 3/16" thick perforated face and 3/16" holes on 9/32" staggered centers.

FEATURES

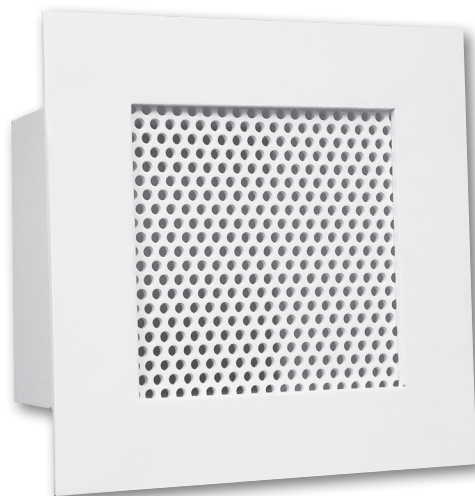
- 3/16" Thick stitch welded sleeve (steel).
- 30"x30" Maximum single unit size.
- 6", 8", 10", 12", 14", 16", and 18" Sleeve lengths.

ACCESSORIES

- Unpainted steel angle frame shipped loose for field installation, constructed of 1 1/2"x1 1/2"x3/16" angle.
- Steel 3/4" diameter security bars on 6" centers.
- Steel 3"x3/4" diameter anchor bars.
- Two unpainted loose steel angles shipped loose for field installation; constructed of 1 1/2"x1 1/2"x3/16" angle.
- Rear operated OBD.

FINISHES

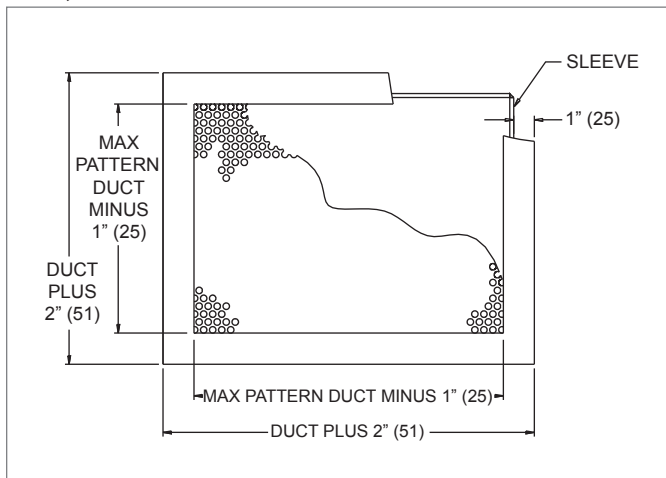
- Standard finish is #44 British White.
- Optional finish is Mill.



13SD

13SD Dimensional Information

13SD, FACE VIEW



NOTE: Dimensions in parentheses are mm.

13SD, CROSS SECTION

