

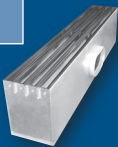


PTBS

This plenum slot supply diffuser features an adjustable blade.

Slots: 1 to 4

Slot Widths: ¾", 1", 1½"



PTBA

This plenum slot supply diffuser features "Ice Tong" blades.

Slots: 1 to 4

Slot Widths: ¾", 1"

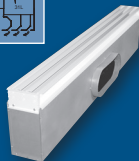


PTBT

This plenum slot supply diffuser features fixed, curved blades.

Slots: 1 to 4*

* 1 to 4 slots available with 1-way deflection, 2 to 4 slots available with 2-way deflection.



PTBSS, PTBSSFB, & PFTBS (FR)

These plenum slot supply diffusers feature a fixed curved blade.

Available with fire damper (PFTBS) and factory installed blades (PTBSSFB).

Slots: 1 or 2

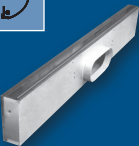
Slot Widths: ¾", 1", 1½"

**¾" Slot width only available on model PFTBS.



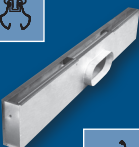
PTBSC, PTBSRC

The plenum slot supply (PTBSC) diffuser features a fixed horizontal pattern controller to provide 1-way airflow; also available with a return slot (PTBSRC).



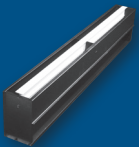
PTBSCDB, PTBSRCDB

The plenum slot supply (PTBSCDB) diffuser features a center downblow and a fixed horizontal pattern controller to provide 1-way airflow; also available with a return slot (PTBSRCDB).



PTBR/PFTBR (FR)

These plenum slot return diffusers are available with a fire damper (PFTBR) or without (PTBR).



PTBS

Introduction & Dimensional Information F1-3
 Accessories..... F1-5
 Reference Charts..... F1-7
 Performance Data..... F1-9
 Engineering Specification F1-27

PTBA

Introduction & Dimensional Information F1-28
 Accessories..... F1-30
 Reference Charts..... F1-31
 Performance Data..... F1-33
 Engineering Specification F1-41

PTBT

Introduction & Dimensional Information F1-42
 Pattern Designations & Plaster Frame..... F1-43
 Inlet Collars F1-44
 Reference Charts..... F1-45
 Performance Data..... F1-47
 Engineering Specification F1-51

PTBSS, PTBSSFB & PFTBS (Fire Rated)

Introduction & Dimensional Information F1-52
 Accessories..... F1-54
 Reference Charts..... F1-56
 Performance Data..... F1-58
 Engineering Specifications..... F1-66

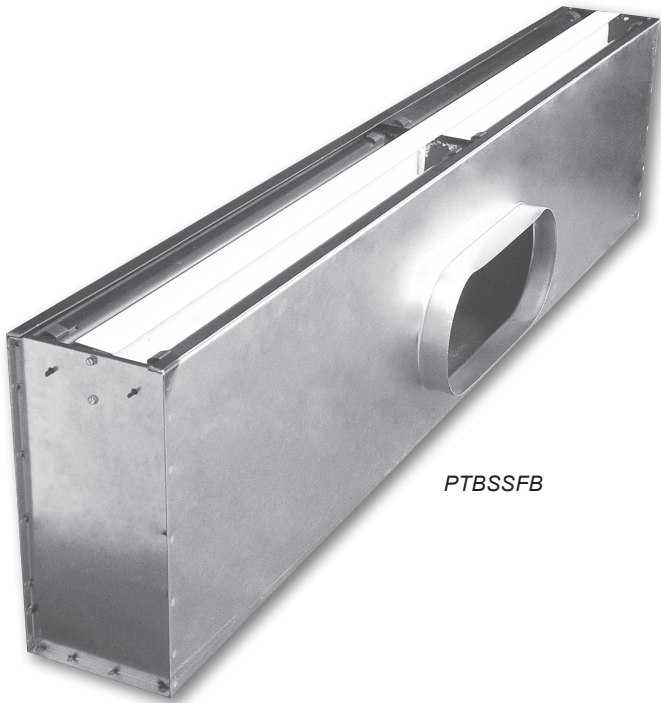
PTBSC, PTBSRC, PTBSCDB, PTBSRCDB

Introduction F1-68
 Dimensional Information F1-69
 Reference Charts..... F1-71
 Performance Data..... F1-73
 Engineering Specifications..... F1-78

PTBR & PFTBR (Fire Rated)

Introduction & Dimensional Information F1-80
 Accessories..... F1-81
 Reference Charts..... F1-82
 Performance Data..... F1-83
 Engineering Specifications..... F1-87

PLENUM SLOT DIFFUSERS



PTBSSFB

Introduction: PTBSS, PTBSSFB, PFTBS —

The PTBSS (or fire rated, PFTBS) series plenum slot diffuser features a curved blade that directs a horizontal discharge air pattern. The PTBSS blades are shipped loose for field installation or the factory can mount the blades (PTBSSFB). The plenum is an integral part of the diffuser and has a drawn inlet collar to prevent plenum air leakage and simplify installation of the diffuser. The fixed horizontal discharge air pattern makes Krueger's PTBSS series diffuser an ideal choice for tenant areas that have short tenant life cycles and VAV cooling applications.

MODELS

- PTBSS - Plenum Slot Diffuser with a Fixed Steel Blade, Shipped Loose
- PTBSSFB - Plenum Slot Diffuser with a Fixed Steel Blade, Factory Installed
- PFTBS - Fire Rated, Plenum Slot Diffuser with a Fixed Steel Blade (Factory Installed)

FEATURES

- Slots: 1 or 2.
- Slot Widths: 1" and 1 1/2".
- Lengths: 24", 36", 48", and 60".
- Double metal thickness at slot face for rigidity and straightness.

ACCESSORIES

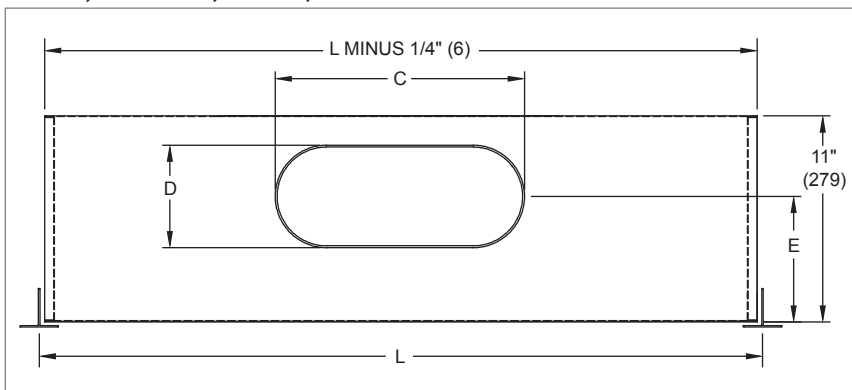
- Factory Installed T-Bars

FINISHES

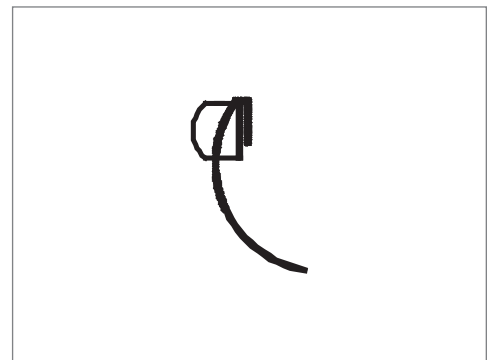
- Standard finish is black face with optional white tees.
- Optional finishes available.

PTBSS, PTBSSFB, PFTBS Dimensional Information

PTBSS, PTBSSFB, PFTBS, INLET SIDE VIEW



PTBSS, PTBSSFB, PFTBS, PATTERN CONTROLLER



PTBSS, PTBSSFB, PFTBS, AVAILABLE SIZES

Inlet Size	C	D	E	L
5" (127) Round	4 7/8" (124)	4 7/8" (124)	6 3/16" (157)	24" (610) - 36" (914)
6" (152) Oval	6 1/4" (159)	5 1/4" (133)	6 3/8" (162)	24" (610) - 60" (1524)
8" (203) Oval	9 3/8" (238)	5 1/4" (133)	6 3/8" (162)	24" (610) - 60" (1524)
10" (254) Oval	12 1/2" (318)	5 1/4" (133)	6 3/8" (162)	24" (610) - 60" (1524)
12" (305) Oval	15 9/16" (395)	5 1/4" (133)	6 3/8" (162)	48" (1219) - 60" (1524)

NOTE: Dimensions in parentheses are mm.

PTBSSFB

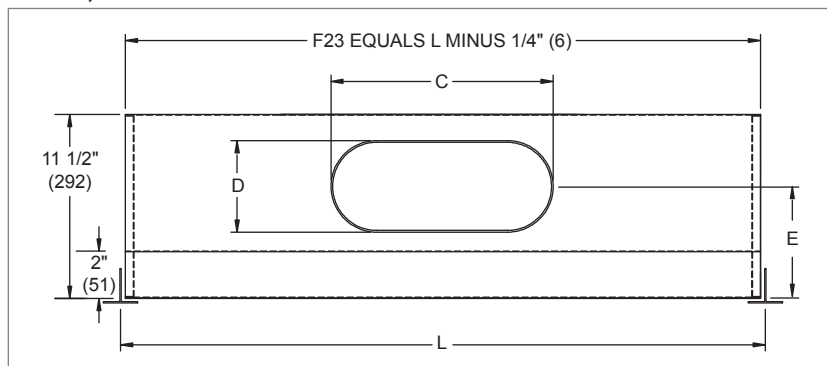
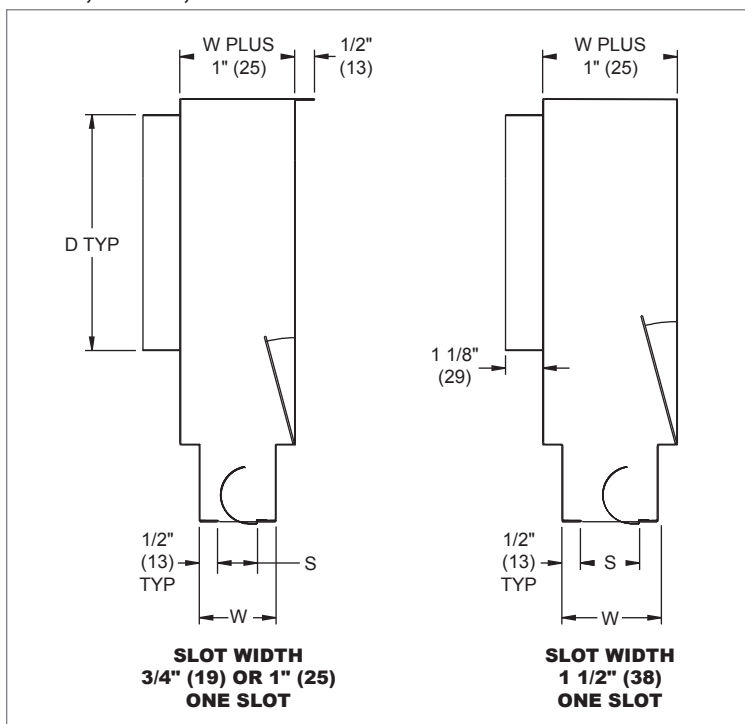
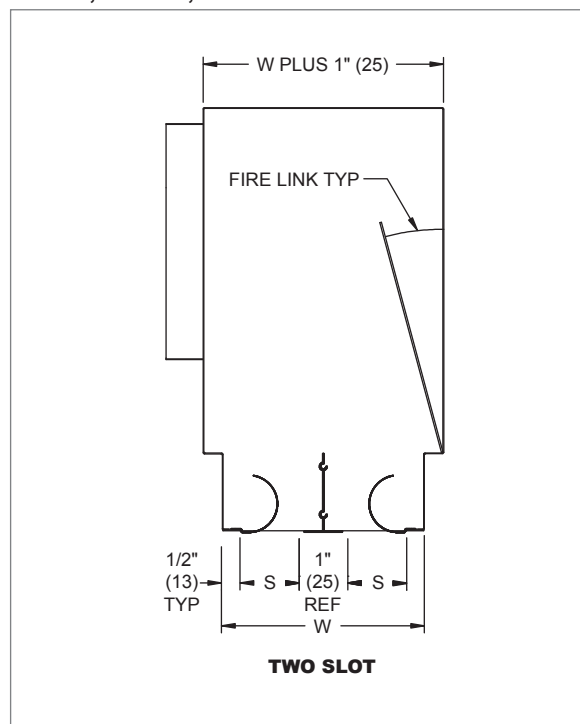
© KRUEGER 2012

PFTBS Dimensional Information


The PFTBS offers the safety of fire rated performance with the proven PTBSS series diffuser. It is intended for use with Lay-in T-Bar application involving fire rated ceiling designs. It combines flexibility with all

of the features of the standard PTBSS and is available exclusively in steel.

PFTBS comes standard as a UL 263 classified assembly which incorporates a 3-hour rated fire damper.

PFTBS, INLET VIEW

PFTBS, 1-SLOT, CROSS SECTION

PFTBS, 2-SLOT, CROSS SECTION

PFTBS, AVAILABLE INLET SIZES

Inlet Size	C	D	E	L
5" (127) Round	4 7/8" (124)	4 7/8" (124)	7 7/8" (200)	24" (610), 36" (914)
6" (152) Round	5 7/8" (149)	5 7/8" (149)	7 7/8" (200)	24" (610), 36" (914), 60" (1524)
7" (178) Round	6 7/8" (175)	6 7/8" (175)	7 7/8" (200)	24" (610), 36" (914), 60" (1524)
8" (203) Round	7 7/8" (200)	7 7/8" (200)	7 7/8" (200)	24" (610), 36" (914), 60" (1524)
10" (254) Oval	12 1/2" (318)	5 1/4" (133)	7 7/8" (200)	24" (610), 36" (914)
12" (305) Oval	14 1/8" (359)	7 7/8" (200)	6 1/4" (159)	48" (1219)

PFTBS, AVAILABLE SLOT SIZES

S	W	
	1 Slot	2 Slot
3/4" (19)	1 3/4" (44)	3 1/2" (89)
1" (25)	2" (51)	4" (102)
1 1/2" (38)	2 1/2" (64)	5" (127) *

NOTES: Dimensions in parentheses are mm.

*2-Slot, 1 1/2" Slot Width is not available with UL rating.

PFTBS Performance Data: Horizontal Throw

IP/METRIC DATA: PFTBS, 1" SLOT WIDTH, 1-SLOT (NO DAMPER)

PLENUM SLOT DIFFUSERS

	Linear Length	IP Data				NC	Metric Data				Octave Band, dB					
		Air Flow	Pressure		1-Way Throw		Air Flow	Pressure		1-Way Throw						
			Ps	Pt				Ps	Pt							
		CFM	"WG	"WG	ft		L/s	Pa	Pa	m	2	3	4	5	6	7
1" Slot Width	2'	50	0.018	0.022	5 - 10 - 18	-	24	4.5	5.5	1.4 - 3.0 - 5.5	33	23	11	-	-	-
		95	0.065	0.079	12 - 18 - 25	25	45	16.1	19.8	3.7 - 5.3 - 7.5	38	36	27	19	15	-
		118	0.099	0.121	15 - 20 - 28	30	55	24.7	30.3	4.6 - 5.9 - 8.4	40	40	33	26	22	15
		140	0.141	0.172	17 - 21 - 30	34	66	35.0	42.9	5.3 - 6.5 - 9.2	42	44	37	31	27	21
		185	0.246	0.301	20 - 24 - 35	41	87	61.2	75.0	6.1 - 7.4 - 10.5	44	50	44	39	36	30
6" Round Inlet	4'	80	0.020	0.030	4 - 9 - 22	-	38	5.0	7.6	1.2 - 2.8 - 6.7	34	23	-	-	-	-
		155	0.075	0.114	14 - 21 - 32	24	73	18.7	28.4	4.3 - 6.5 - 9.6	39	37	25	17	12	-
		193	0.116	0.176	18 - 25 - 35	29	91	28.9	43.8	5.4 - 7.6 - 10.7	41	41	30	24	19	12
		230	0.166	0.251	21 - 27 - 39	33	109	41.2	62.6	6.4 - 8.3 - 11.7	43	45	35	29	24	18
		305	0.291	0.442	26 - 31 - 44	40	144	72.5	110.1	7.8 - 9.6 - 13.5	45	51	42	38	33	27
1" Slot Width	2'	50	0.017	0.018	5 - 10 - 18	-	24	4.2	4.5	1.4 - 3.0 - 5.5	31	18	-	-	-	-
		105	0.074	0.080	14 - 18 - 26	24	50	18.5	19.9	4.1 - 5.6 - 7.9	37	34	27	19	15	-
		133	0.119	0.128	17 - 21 - 29	30	63	29.5	31.8	5.1 - 6.3 - 8.9	39	38	33	26	23	17
		160	0.173	0.186	19 - 23 - 32	34	76	43.0	46.3	5.7 - 6.9 - 9.8	41	42	38	31	29	23
		190	0.244	0.262	20 - 25 - 35	38	90	60.7	65.3	6.2 - 7.5 - 10.7	42	46	43	36	34	28
8" Oval Inlet	4'	100	0.019	0.024	6 - 14 - 25	-	47	4.8	6.0	1.9 - 4.2 - 7.7	34	24	11	-	-	-
		180	0.062	0.079	16 - 24 - 34	24	85	15.4	19.6	5.0 - 7.3 - 10.4	38	36	26	18	14	-
		220	0.093	0.117	20 - 27 - 38	29	104	23.1	29.2	6.1 - 8.1 - 11.5	40	40	31	24	20	14
		260	0.129	0.164	24 - 29 - 41	33	123	32.2	40.8	7.2 - 8.8 - 12.5	41	43	36	29	25	19
		340	0.221	0.280	27 - 33 - 47	40	160	55.1	69.8	8.2 - 10.1 - 14.3	44	49	42	37	34	28
1" Slot Width	2'	60	0.027	0.028	7 - 12 - 20	-	28	6.6	7.0	2.0 - 3.5 - 6.0	32	21	12	-	-	-
		110	0.090	0.094	14 - 19 - 27	24	52	22.3	23.4	4.3 - 5.7 - 8.1	37	33	28	19	16	-
		135	0.135	0.142	17 - 21 - 30	29	64	33.6	35.3	5.2 - 6.4 - 9.0	39	37	33	25	22	17
		160	0.190	0.199	19 - 23 - 32	33	76	47.3	49.6	5.7 - 6.9 - 9.8	40	41	37	30	28	22
		210	0.327	0.343	21 - 26 - 37	40	99	81.4	85.4	6.5 - 7.9 - 11.2	42	46	44	38	36	31
10" Oval Inlet	4'	100	0.017	0.021	6 - 14 - 25	-	47	4.4	5.3	1.9 - 4.2 - 7.7	33	22	-	-	-	-
		190	0.063	0.076	17 - 25 - 35	24	90	15.7	19.0	5.3 - 7.5 - 10.7	38	35	27	19	15	-
		235	0.097	0.117	22 - 28 - 39	30	111	24.0	29.0	6.5 - 8.4 - 11.9	40	40	32	25	21	15
		280	0.137	0.166	25 - 30 - 43	34	132	34.1	41.2	7.5 - 9.2 - 12.9	41	43	37	30	27	21
		370	0.239	0.289	28 - 35 - 49	41	175	59.6	72.0	8.6 - 10.5 - 14.9	44	49	44	39	36	30
1" Slot Width 12" Oval Inlet	4'	120	0.024	0.026	9 - 16 - 28	-	57	6.0	6.5	2.8 - 5.0 - 8.5	33	22	13	-	-	-
		220	0.081	0.088	20 - 27 - 38	25	104	20.2	21.8	6.1 - 8.1 - 11.5	38	35	29	20	17	11
		270	0.122	0.132	24 - 30 - 42	30	127	30.4	32.8	7.3 - 9.0 - 12.7	39	39	34	26	23	17
		320	0.171	0.185	26 - 32 - 46	34	151	42.7	46.1	8.0 - 9.8 - 13.8	41	42	38	31	29	23
		420	0.295	0.319	30 - 37 - 52	41	198	73.5	79.4	9.2 - 11.2 - 15.9	43	48	45	40	37	32

NOTES: Throw values are given for terminal velocities of 150, 100, and 50 FPM (0.75, 0.50, and 0.25 m/s). Throw values are given for isothermal conditions. Airflow is given for the length of the unit. NC values are based on octave band 2 - 7 sound power levels minus a room absorption of 10dB, re10⁻¹² Watts. Dash in space denotes a NC or dB value of less than 10. Data was obtained from tests conducted in accordance with ANSI/ASHRAE Standard 70, ISO Standard 5219, and ISO Standard 3741. See selection software for performance data not shown, including octave band data.

PFTBS - PFTBS

PFTBS Performance Data: Horizontal Throw

IP/METRIC DATA: PFTBS, 1" SLOT WIDTH, 2-SLOT (NO DAMPER)

	Linear Length	IP Data				NC	Metric Data				Octave Band, dB						
		Air Flow	Pressure		1-Way Throw		Air Flow	Pressure		1-Way Throw	2	3	4	5	6	7	
			Ps	Pt				Ps	Pt								
		CFM	"WG	"WG	ft		L/s	Pa	Pa	m							
1" Slot Width	2'	90	0.025	0.038	5 - 12 - 24	-	42	6.3	9.6	1.6 - 3.5 - 7.3	35	26	11	-	-	-	
		160	0.080	0.122	15 - 22 - 32	25	76	19.9	30.3	4.5 - 6.7 - 9.8	40	38	25	18	13	-	
		195	0.119	0.181	18 - 25 - 36	29	92	29.6	45.0	5.4 - 7.6 - 10.8	41	42	30	24	19	13	
		230	0.166	0.251	21 - 27 - 39	33	109	41.2	62.6	6.4 - 8.3 - 11.7	43	45	35	29	24	18	
		300	0.282	0.428	25 - 31 - 44	40	142	70.1	106.5	7.7 - 9.5 - 13.4	45	51	41	37	33	26	
6" Round Inlet	4'	150	0.042	0.079	5 - 11 - 29	-	71	10.5	19.6	1.5 - 3.5 - 8.9	36	27	-	-	-	-	
		270	0.136	0.255	16 - 26 - 42	24	127	33.9	63.4	5.0 - 8.0 - 12.7	41	39	24	18	11	-	
		330	0.204	0.380	21 - 32 - 46	29	156	50.7	94.7	6.5 - 9.7 - 14.1	42	44	29	24	17	-	
		390	0.284	0.531	25 - 36 - 50	33	184	70.8	132.2	7.7 - 10.8 - 15.3	44	47	33	29	22	16	
		510	0.486	0.908	33 - 41 - 57	40	241	121.0	226.1	10.0 - 12.4 - 17.5	46	53	40	37	31	24	
1" Slot Width	2'	90	0.016	0.020	5 - 12 - 24	-	42	3.9	4.9	1.6 - 3.5 - 7.3	33	21	-	-	-	-	
		170	0.055	0.070	16 - 23 - 33	23	80	13.8	17.4	4.7 - 7.1 - 10.1	38	34	25	17	12	-	
		210	0.084	0.107	19 - 26 - 37	28	99	21.0	26.6	5.8 - 7.9 - 11.2	40	39	30	23	19	12	
		250	0.120	0.152	23 - 28 - 40	32	118	29.8	37.7	7.0 - 8.7 - 12.2	41	42	35	28	24	18	
		330	0.208	0.264	27 - 33 - 46	39	156	51.9	65.7	8.1 - 9.9 - 14.1	43	48	42	37	33	27	
8" Oval Inlet	4'	170	0.026	0.040	7 - 15 - 33	-	80	6.4	10.1	2.0 - 4.5 - 10.0	35	25	-	-	-	-	
		300	0.080	0.126	19 - 29 - 44	24	142	19.9	31.4	5.9 - 8.9 - 13.4	39	37	24	17	11	-	
		365	0.118	0.187	24 - 34 - 49	28	172	29.5	46.5	7.2 - 10.5 - 14.8	41	41	29	23	18	11	
		430	0.164	0.259	28 - 37 - 53	32	203	40.9	64.5	8.5 - 11.3 - 16.0	42	45	33	28	23	16	
		560	0.279	0.439	35 - 43 - 60	39	264	69.4	109.4	10.6 - 12.9 - 18.3	45	50	40	36	31	25	
1" Slot Width	2'	100	0.017	0.021	6 - 14 - 25	-	47	4.4	5.3	1.9 - 4.2 - 7.7	33	22	-	-	-	-	
		190	0.063	0.076	17 - 25 - 35	24	90	15.7	19.0	5.3 - 7.5 - 10.7	38	35	27	19	15	-	
		235	0.097	0.117	22 - 28 - 39	30	111	24.0	29.0	6.5 - 8.4 - 11.9	40	40	32	25	21	15	
		280	0.137	0.166	25 - 30 - 43	34	132	34.1	41.2	7.5 - 9.2 - 12.9	41	43	37	30	27	21	
		370	0.239	0.289	28 - 35 - 49	41	175	59.6	72.0	8.6 - 10.5 - 14.9	44	49	44	39	36	30	
10" Oval Inlet	4'	175	0.023	0.034	7 - 16 - 34	-	83	5.6	8.4	2.1 - 4.7 - 10.2	34	25	-	-	-	-	
		340	0.085	0.127	22 - 33 - 47	26	160	21.2	31.7	6.7 - 10.0 - 14.3	40	38	27	20	15	-	
		423	0.132	0.196	27 - 37 - 52	31	199	32.8	48.9	8.3 - 11.2 - 15.9	42	43	32	26	21	15	
		505	0.188	0.281	33 - 40 - 57	35	238	46.8	69.9	9.9 - 12.3 - 17.4	43	47	37	32	27	21	
		670	0.331	0.494	38 - 47 - 66	42	316	82.4	123.0	11.6 - 14.2 - 20.0	45	52	44	40	36	30	
1" Slot Width	4'	200	0.019	0.025	9 - 19 - 36	-	94	4.8	6.2	2.7 - 5.9 - 10.9	34	24	11	-	-	-	
		370	0.067	0.085	24 - 35 - 49	25	175	16.6	21.2	7.3 - 10.5 - 14.9	39	36	27	19	15	-	
		455	0.101	0.129	29 - 38 - 54	30	215	25.1	32.0	9.0 - 11.7 - 16.5	40	41	32	25	21	15	
		540	0.142	0.181	34 - 42 - 59	34	255	35.3	45.1	10.4 - 12.7 - 18.0	42	44	37	31	27	21	
		710	0.245	0.313	39 - 48 - 68	41	335	61.0	77.9	11.9 - 14.6 - 20.6	44	50	44	39	35	29	

NOTES: Throw values are given for terminal velocities of 150, 100, and 50 FPM (0.75, 0.50, and 0.25 m/s). Throw values are given for isothermal conditions. Airflow is given for the length of the unit. NC values are based on octave band 2 - 7 sound power levels minus a room absorption of 10dB, re10⁻¹² Watts. Dash in space denotes a NC or dB value of less than 10. Data was obtained from tests conducted in accordance with ANSI/ASHRAE Standard 70, ISO Standard 5219, and ISO Standard 3741. See selection software for performance data not shown, including octave band data.

PLENUM SLOT DIFFUSERS

PFTBS - PFTBS

PFTBS Performance Data: Horizontal Throw

IP/METRIC DATA: PFTBS, 1 1/2" SLOT WIDTH, 1-SLOT (NO DAMPER)

PLENUM SLOT DIFFUSERS

	Linear Length	IP Data				NC	Metric Data				Octave Band, dB					
		Air Flow	Pressure		1-Way Throw		Air Flow	Pressure		1-Way Throw						
			Ps	Pt				Ps	Pt							
		CFM	"WG	"WG	ft		L/s	Pa	Pa	m	2	3	4	5	6	7
1 1/2" Slot Width	2'	50	0.017	0.021	2 - 4 - 10	13	24	4.3	5.4	0.5 - 1.2 - 3.0	44	35	27	19	15	12
		100	0.070	0.086	7 - 10 - 16	26	47	17.4	21.4	2.0 - 3.0 - 4.7	48	46	40	32	29	24
		125	0.109	0.134	8 - 12 - 17	30	59	27.1	33.4	2.5 - 3.7 - 5.3	49	50	44	36	33	28
		150	0.157	0.193	10 - 13 - 19	33	71	39.1	48.1	3.0 - 4.1 - 5.8	50	53	48	39	37	31
		200	0.279	0.344	13 - 16 - 22	38	94	69.4	85.6	3.9 - 4.7 - 6.7	52	58	53	44	42	36
6" Round Inlet	4'	75	0.011	0.020	1 - 3 - 11	14	35	2.7	5.0	0.4 - 1.0 - 3.2	43	36	28	21	18	14
		145	0.040	0.075	5 - 10 - 19	26	68	10.1	18.6	1.6 - 3.1 - 5.7	47	47	41	33	31	25
		180	0.062	0.115	8 - 13 - 21	30	85	15.5	28.6	2.5 - 3.8 - 6.3	48	51	45	37	35	29
		215	0.089	0.164	10 - 15 - 23	33	101	22.1	40.8	3.1 - 4.6 - 6.9	49	54	48	40	38	32
		285	0.156	0.288	13 - 19 - 26	38	135	38.9	71.7	4.1 - 5.6 - 8.0	51	58	53	46	44	37
1 1/2" Slot Width	2'	60	0.037	0.039	3 - 6 - 12	12	28	9.2	9.7	0.8 - 1.7 - 3.6	45	33	25	17	12	-
		130	0.174	0.183	9 - 13 - 18	25	61	43.3	45.5	2.6 - 3.8 - 5.4	49	45	40	31	27	23
		165	0.280	0.294	11 - 14 - 20	30	78	69.7	73.2	3.3 - 4.3 - 6.1	50	49	44	35	32	27
		200	0.412	0.432	13 - 16 - 22	33	94	102.5	107.6	3.9 - 4.7 - 6.7	51	53	48	38	36	30
		270	0.750	0.787	15 - 18 - 26	38	127	186.8	196.1	4.5 - 5.5 - 7.8	53	58	54	44	41	35
8" Oval Inlet	4'	90	0.014	0.018	2 - 5 - 13	13	42	3.5	4.5	0.6 - 1.4 - 3.8	44	34	26	19	15	11
		180	0.056	0.072	8 - 13 - 21	25	85	13.9	18.0	2.5 - 3.8 - 6.3	48	46	39	31	28	23
		225	0.087	0.113	11 - 16 - 23	29	106	21.7	28.1	3.2 - 4.8 - 7.1	49	49	43	35	32	27
		270	0.125	0.163	13 - 18 - 26	32	127	31.2	40.5	3.8 - 5.5 - 7.8	50	52	47	39	36	30
		360	0.223	0.289	17 - 21 - 30	37	170	55.5	72.0	5.1 - 6.3 - 9.0	52	57	52	44	41	35
1 1/2" Slot Width	2'	75	0.076	0.078	4 - 7 - 13	14	35	18.9	19.4	1.2 - 2.3 - 4.1	46	35	28	19	15	11
		145	0.284	0.291	10 - 13 - 19	26	68	70.6	72.5	2.9 - 4.0 - 5.7	49	46	40	31	27	23
		180	0.437	0.449	12 - 15 - 21	30	85	108.8	111.7	3.6 - 4.5 - 6.3	51	49	44	35	32	26
		215	0.623	0.640	13 - 16 - 23	33	101	155.2	159.4	4.0 - 4.9 - 6.9	52	52	48	38	35	30
		285	1.095	1.125	15 - 19 - 26	38	135	272.7	280.1	4.6 - 5.6 - 8.0	53	57	53	43	40	34
10" Oval Inlet	4'	110	0.021	0.026	3 - 7 - 15	15	52	5.3	6.4	0.9 - 2.1 - 4.7	45	36	28	20	17	13
		200	0.071	0.085	9 - 14 - 22	25	94	17.6	21.2	2.8 - 4.3 - 6.7	48	46	40	31	28	23
		245	0.106	0.128	11 - 17 - 24	29	116	26.4	31.8	3.5 - 5.2 - 7.4	49	49	43	35	32	27
		290	0.148	0.179	14 - 19 - 26	32	137	36.9	44.5	4.1 - 5.7 - 8.1	50	52	47	38	35	30
		380	0.255	0.307	18 - 21 - 30	37	179	63.4	76.5	5.3 - 6.5 - 9.2	52	56	52	43	40	34
1 1/2" Slot Width 12" Oval Inlet	4'	140	0.049	0.051	5 - 10 - 18	15	66	12.1	12.8	1.5 - 3.0 - 5.6	45	35	28	20	16	12
		260	0.168	0.177	12 - 18 - 25	26	123	41.9	44.2	3.7 - 5.4 - 7.6	49	46	40	31	28	23
		320	0.255	0.269	15 - 20 - 28	29	151	63.4	66.9	4.5 - 6.0 - 8.5	50	49	44	35	32	26
		380	0.359	0.379	18 - 21 - 30	32	179	89.5	94.3	5.3 - 6.5 - 9.2	51	52	47	38	35	29
		500	0.622	0.656	20 - 25 - 35	37	236	154.9	163.3	6.1 - 7.5 - 10.6	53	56	52	43	40	34

NOTES: Throw values are given for terminal velocities of 150, 100, and 50 FPM (0.75, 0.50, and 0.25 m/s). Throw values are given for isothermal conditions. Airflow is given for the length of the unit. NC values are based on octave band 2 - 7 sound power levels minus a room absorption of 10dB, re10⁻¹² Watts. Dash in space denotes a NC or dB value of less than 10. Data was obtained from tests conducted in accordance with ANSI/ASHRAE Standard 70, ISO Standard 5219, and ISO Standard 3741. See selection software for performance data not shown, including octave band data.

PFTBS - PFTBS

PFTBS Performance Data: Horizontal Throw

IP/METRIC DATA: PFTBS, 1 1/2" SLOT WIDTH, 2-SLOT (NO DAMPER)

	Linear Length	IP Data				NC	Metric Data				Octave Band, dB					
		Air Flow	Pressure		1-Way Throw		Air Flow	Pressure		1-Way Throw	2	3	4	5	6	7
			Ps	Pt				L/s	Pa							
		CFM	"WG	"WG	ft		L/s	Pa	Pa	m	2	3	4	5	6	7
1 1/2" Slot Width	2'	75	0.011	0.020	1 - 3 - 11	14	35	2.7	5.0	0.4 - 1.0 - 3.2	43	36	28	21	18	14
		135	0.035	0.065	5 - 9 - 18	25	64	8.7	16.1	1.4 - 2.9 - 5.5	47	46	39	32	29	24
		165	0.052	0.097	7 - 12 - 20	29	78	13.0	24.0	2.1 - 3.5 - 6.1	48	49	43	36	33	27
		195	0.073	0.135	9 - 14 - 22	32	92	18.2	33.6	2.8 - 4.2 - 6.6	49	52	46	39	36	30
		255	0.125	0.231	12 - 18 - 25	36	120	31.1	57.4	3.6 - 5.3 - 7.6	50	57	51	44	41	35
6" Round Inlet	4'	100	0.007	0.023	1 - 2 - 8	13	47	1.6	5.7	0.3 - 0.6 - 2.4	42	36	27	21	18	14
		180	0.021	0.074	3 - 6 - 18	24	85	5.3	18.4	0.9 - 2.0 - 5.4	45	45	38	32	29	24
		220	0.032	0.110	4 - 10 - 22	28	104	7.9	27.4	1.3 - 2.9 - 6.6	46	49	42	36	33	27
		260	0.044	0.154	6 - 13 - 25	31	123	11.0	38.3	1.8 - 3.9 - 7.6	47	52	45	39	36	30
		340	0.076	0.263	10 - 17 - 29	35	160	18.8	65.5	3.1 - 5.1 - 8.7	49	56	50	44	41	35
1 1/2" Slot Width	2'	90	0.014	0.018	2 - 5 - 13	13	42	3.5	4.5	0.6 - 1.4 - 3.8	44	34	26	19	15	11
		160	0.044	0.057	6 - 11 - 20	23	76	11.0	14.2	1.9 - 3.4 - 6.0	47	44	37	29	26	21
		195	0.065	0.085	9 - 14 - 22	26	92	16.3	21.1	2.8 - 4.2 - 6.6	48	47	41	33	30	24
		230	0.091	0.118	11 - 16 - 24	29	109	22.7	29.4	3.3 - 4.9 - 7.2	49	50	44	36	33	27
		300	0.155	0.201	14 - 19 - 27	34	142	38.5	50.0	4.3 - 5.8 - 8.2	50	54	49	40	38	32
8" Oval Inlet	4'	120	0.007	0.015	1 - 3 - 11	12	57	1.8	3.6	0.4 - 0.9 - 3.5	42	34	25	19	15	11
		230	0.027	0.054	5 - 11 - 23	23	109	6.6	13.4	1.4 - 3.2 - 6.9	46	44	37	30	27	22
		285	0.041	0.082	7 - 14 - 26	27	135	10.2	20.5	2.2 - 4.3 - 8.0	47	48	41	34	32	26
		340	0.058	0.117	10 - 17 - 29	30	160	14.5	29.2	3.1 - 5.1 - 8.7	48	51	45	37	35	29
		450	0.102	0.205	15 - 22 - 33	35	212	25.3	51.2	4.5 - 6.8 - 10.0	50	55	50	43	40	34
1 1/2" Slot Width	2'	90	0.014	0.017	2 - 5 - 13	11	42	3.6	4.3	0.6 - 1.4 - 3.8	44	32	25	17	13	-
		180	0.057	0.069	8 - 13 - 21	23	85	14.2	17.2	2.5 - 3.8 - 6.3	47	44	38	29	26	21
		225	0.089	0.108	11 - 16 - 23	27	106	22.2	26.8	3.2 - 4.8 - 7.1	49	48	42	33	30	25
		270	0.129	0.155	13 - 18 - 26	31	127	32.0	38.6	3.8 - 5.5 - 7.8	50	51	45	37	34	28
		360	0.229	0.276	17 - 21 - 30	36	170	56.9	68.6	5.1 - 6.3 - 9.0	51	55	51	42	39	33
10" Oval Inlet	4'	120	0.007	0.012	1 - 3 - 11	-	57	1.7	3.0	0.4 - 0.9 - 3.5	42	32	24	17	13	-
		260	0.032	0.056	6 - 13 - 25	24	123	7.9	14.0	1.8 - 3.9 - 7.6	46	45	38	31	28	23
		330	0.051	0.091	10 - 16 - 28	28	156	12.8	22.6	2.9 - 5.0 - 8.6	48	49	42	35	32	27
		400	0.075	0.133	13 - 20 - 31	32	189	18.8	33.2	4.0 - 6.0 - 9.5	49	52	46	39	36	30
		540	0.137	0.243	18 - 26 - 36	37	255	34.2	60.5	5.4 - 7.8 - 11.0	50	57	52	44	42	35
1 1/2" Slot Width 12" Oval Inlet	4'	150	0.010	0.013	2 - 4 - 15	-	71	2.4	3.2	0.6 - 1.4 - 4.5	43	31	23	16	12	-
		320	0.044	0.058	9 - 16 - 28	23	151	11.0	14.4	2.8 - 4.8 - 8.5	47	44	37	29	26	21
		405	0.070	0.093	13 - 20 - 31	27	191	17.5	23.1	4.1 - 6.1 - 9.5	48	48	42	34	31	25
		490	0.103	0.136	16 - 24 - 34	31	231	25.7	33.7	4.9 - 7.4 - 10.5	49	51	45	37	34	29
		660	0.187	0.246	22 - 28 - 40	36	311	46.6	61.2	6.6 - 8.6 - 12.1	51	56	51	42	40	34

NOTES: Throw values are given for terminal velocities of 150, 100, and 50 FPM (0.75, 0.50, and 0.25 m/s). Throw values are given for isothermal conditions. Airflow is given for the length of the unit. NC values are based on octave band 2 - 7 sound power levels minus a room absorption of 10dB, re10⁻¹² Watts. Dash in space denotes a NC or dB value of less than 10. Data was obtained from tests conducted in accordance with ANSI/ASHRAE Standard 70, ISO Standard 5219, and ISO Standard 3741. See selection software for performance data not shown, including octave band data.

PFTBS Suggested Specification & Configuration

- 1. SERIES: (XXXXX)**
PFTBS - Fire Rated Plenum Slot Supply Diffuser
 - 2. INSULATION: (X)**
N - No Insulation
Y - Insulation
 - 3. SLOT LENGTH: (XX)**
24", 36", or 48"
 - 4. NUMBER OF SLOTS: (X) ***
1 or 2
 - 5. PLENUM INLET SIZE: (XX)**
5", 6", or 8" Round
10" or 12" Oval
 - 6. SLOT WIDTH: (XXX)**
75 - 3/4"
100 - 1"
150 - 1 1/2"
 - 7. FRAME STYLE/T-BAR LOCATION: (XXXX)**
23A - All Tees by Others **
23C - Tees on Both Sides
23EL - Tee Opposite Inlet
23ER - Tee on Inlet Side
 - 8. FINISH: (XX)**
35 - Black Face & Tees
50 - White Exposed Surfaces, Black Pattern
Controller, White Optional Tees
55 - Black with Optional White Tees
- * 2-Slot, 1 1/2" Slot Width is not available with UL rating.
 ** Center tee on 2-Slot PFTBS, Frame 23A is furnished by the factory.

PFTBS

The fire rated plenum slot supply diffuser shall be Krueger model PFTBS constructed of 24 gage galvanized steel with factory drawn inlet to prevent air leakage. The diffuser must be UL classified fire rated ceiling diffuser assembly listed in Underwriters Laboratories Fire Resistance Directory. The diffuser shall be tested in accordance with UL 263 and must meet NFPA 90 requirements. The PFTBS shall have 3/4", 1" or 1 1/2" slot width with 1 or 2 slots. The PFTBS shall have 26 gage steel roll formed pattern controllers mounted at the factory and field adjustable to allow for discharge direction change.

Optional 1/4" thick, 2 lb. density internal insulation is available.

PERFORMANCE

The manufacturer shall provide published (printed or electronic) performance data for the diffuser. Performance data shall include 2 - 7 octave band sound power levels. The diffuser shall be tested in accordance to the data standards at the time of product introduction or ANSI/ASHRAE Standard 70.

FINISH

The standard finish shall be black on the face and pattern controllers with optional white T-Bars.

