



**Introduction: PTBR, PFTBR**

The PTBR (or fire rated, PFTBR) series plenum slot return diffuser is designed for non-ducted return air systems. The plenum is an integral part of the diffuser and has a slotted opening above the ceiling. The PTBR face is designed to match the PTBS, PTBA, and PTBSS supply units.

**MODELS**

- PTBR - Plenum Slot Return
- PFTBR - Fire Rated, Plenum Slot Return

**FEATURES**

- Slots: 1, 2, 3, or 4.
- Slot Widths: 3/4", 1", and 1 1/2".
- Lengths: 24", 36", 48", and 60".
- Double metal thickness at slot face for rigidity and straightness.

**ACCESSORIES**

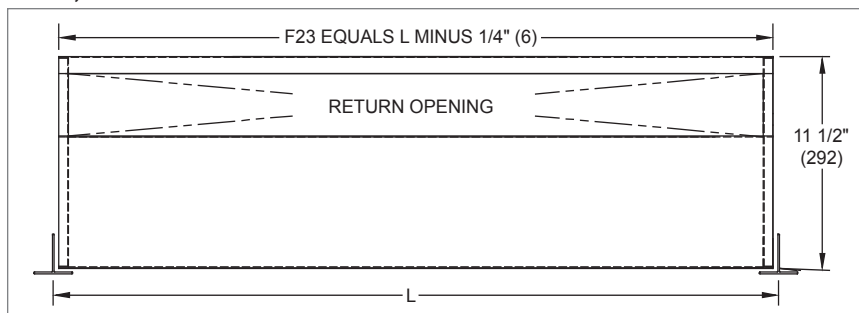
- Factory Installed T-Bars
- Plaster Frame

**FINISHES**

- Standard finish is black face with optional white tees.
- Optional finishes available.

**PTBR Dimensional Information**

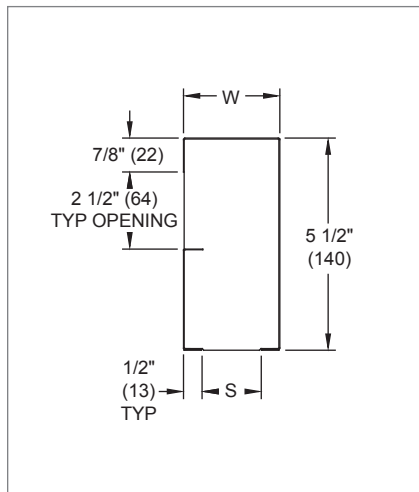
**PTBR, RETURN OPENING SIDE VIEW**



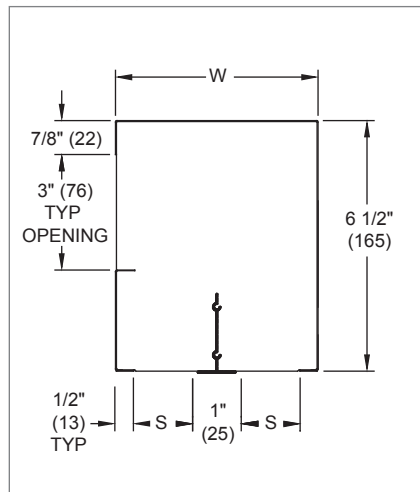
**PTBR, AVAILABLE SIZES**

S	W			
	1 Slot	2 Slot	3 Slot	4 Slot
3/4" (19)	1 3/4" (44)	3 1/2" (89)	5 1/4" (133)	7" (178)
1" (25)	2" (51)	4" (102)	6" (152)	8" (203)
1 1/2" (38)	2 1/2" (64)	5" (127)	7 1/2" (191)	10" (254)

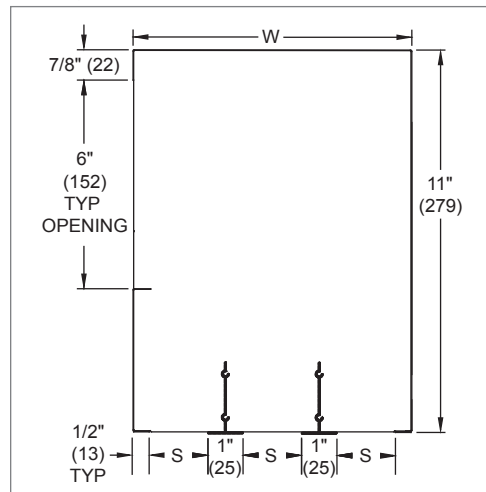
**PTBR, 1-SLOT CROSS SECTION**



**PTBR, 2-SLOT CROSS SECTION**



**PTBR, 3-SLOT CROSS SECTION**



NOTE: Dimensions in parentheses are mm.