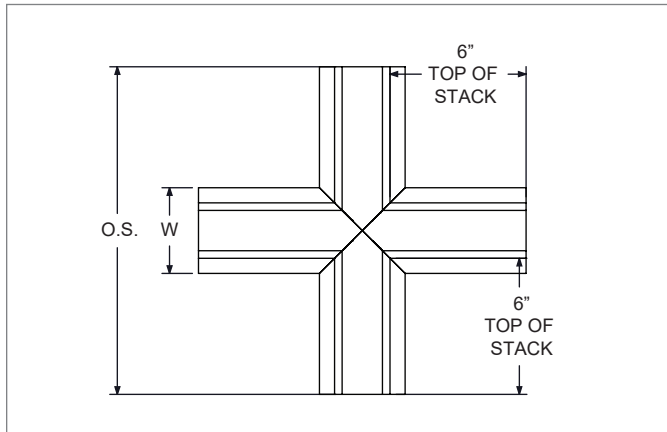
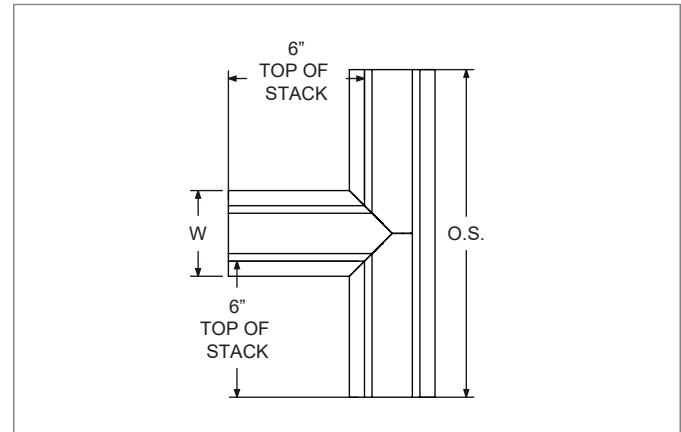


DFL Transitions (DFT/DFC)

TRANSITION (DFC)



TRANSITION (DFT)



NOTES: Transitions are inactive with blank offs installed at factory.

TRANSITION (DFC), AVAILABLE SIZES

Number of Slots	Slot Width	Frame Type							
		AA		BB		CC		FF	
		W	O	W	O	W	O	W	O
1	1" (25)	2 3/4" (70)	14 3/4" (375)	4 1/4" (108)	16 1/4" (413)	3 1/8" (79)	15 1/8" (384)	3 3/4" (95)	15 3/4" (400)
	1 1/2" (38)	3 3/4" (95)	15 3/4" (400)	5 1/4" (133)	17 1/4" (438)	4 1/8" (105)	16 1/8" (410)	4 3/4" (121)	16 3/4" (425)
	2" (51)	4 3/4" (121)	16 3/4" (425)	6 1/4" (159)	18 1/4" (464)	5 1/8" (130)	17 1/8" (435)	5 3/4" (146)	17 3/4" (451)
	2 1/2" (64)	5 3/4" (146)	17 3/4" (451)	6 3/4" (171)	18 3/4" (476)	6 1/8" (156)	18 1/8" (460)	6 3/4" (171)	18 3/4" (476)
	3" (76)	6 3/4" (171)	18 3/4" (476)	7 3/4" (197)	19 3/4" (502)	7 1/8" (181)	19 1/8" (485)	7 3/4" (197)	19 3/4" (502)

TRANSITION (DFT), AVAILABLE SIZES

Number of Slots	Slot Width	Frame Type							
		AA		BB		CC		FF	
		W	O	W	O	W	O	W	O
1	1" (25)	2 3/4" (70)	14 3/4" (375)	4 1/4" (108)	16 1/4" (413)	3 1/8" (79)	15 1/8" (384)	3 3/4" (95)	15 3/4" (400)
	1 1/2" (38)	3 3/4" (95)	15 3/4" (400)	5 1/4" (133)	17 1/4" (438)	4 1/8" (105)	16 1/8" (410)	4 3/4" (121)	16 3/4" (425)
	2" (51)	4 3/4" (121)	16 3/4" (425)	6 1/4" (159)	18 1/4" (464)	5 1/8" (130)	17 1/8" (435)	5 3/4" (146)	17 3/4" (451)
	2 1/2" (64)	5 3/4" (146)	17 3/4" (451)	6 3/4" (171)	18 3/4" (476)	6 1/8" (156)	18 1/8" (460)	6 3/4" (171)	18 3/4" (476)
	3" (76)	6 3/4" (171)	18 3/4" (476)	7 3/4" (197)	19 3/4" (502)	7 1/8" (181)	19 1/8" (456)	7 3/4" (197)	19 3/4" (502)

LINEAR SLOT DIFFUSERS

DESIGN FLO