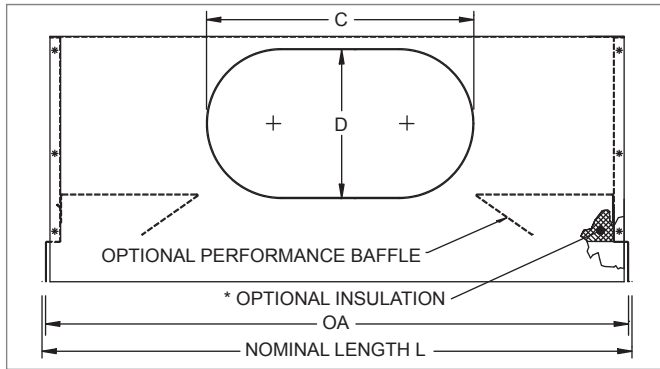
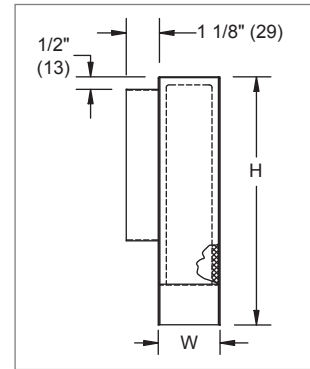


**1900BOOT Accessories**
**1900BOOT, FACE VIEW**

**BOOT SIDE VIEW**

**BOOT AVAILABLE SIZES**

Inlet Size	C	D
6" Oval	6 1/4" (159)	5 1/4" (133)
8" Oval	9 3/8" (238)	5 1/4" (133)
10" Oval	12 1/2" (318)	5 1/4" (133)
12" Oval	14 1/8" (359)	7 7/8" (200)

**1900BOOT, AVAILABLE LENGTHS**

Model	Nominal Length L	Nominal Inlet Size
1950, 1975, 1910, 1915	24" (610), 36" (914)	6, 8, 10
1920	48" (1219), 60" (1524), 72" (1829)	6, 8, 10, 12

End Border	Frame Styles	
	A, B, C, F, I, J, & K	D & E
	OA	
"E" (2) End Caps	L - 7/8" (22)	L - 1/4" (6)
"B" (2) Butt Cut	L - 1/4" (6)	L - 1/4" (6)
"P" (2) End Plates	L - 1/4" (6)	L - 1/4" (6)

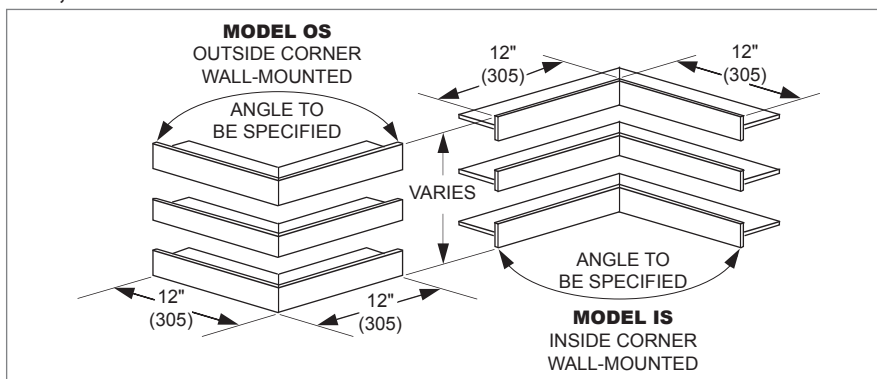
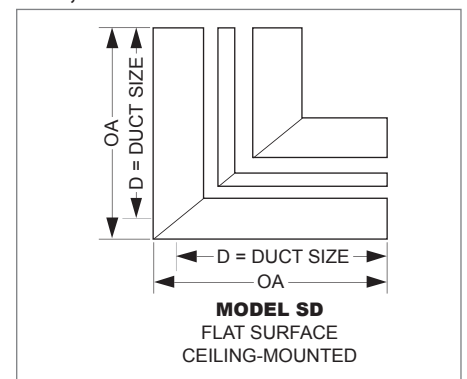
Nominal Length L	Nominal Inlet Size
A, B, D, E, F, I, J, K	10.625" (270)
C	11" (280)

NOTES: Dimensions in parentheses are mm. 'OA' is overall length.

**1900BOOT, AVAILABLE WIDTHS**

Model	W Dimension for Frames A, B, F, I, J, & K			
	Number of Slots			
	1	2	3	4
1950	1 7/16" (37)	2 11/16" (68)	3 15/16" (100)	5 3/16" (132)
1975	1 11/16" (43)	3 3/16" (81)	4 11/16" (119)	6 3/16" (157)
1910	1 15/16" (49)	3 11/16" (94)	5 7/16" (138)	7 3/16" (183)
1915	2 7/16" (62)	4 11/16" (119)	6 15/16" (176)	9 3/16" (233)
1920	2 15/16" (75)	5 11/16" (144)	8 7/16" (214)	11 3/16" (284)

Model	W Dimension for Frames C, D, & E			
	Number of Slots			
	1	2	3	4
1950	2 3/16" (56)	3 7/16" (87)	4 11/16" (119)	5 15/16" (151)
1975	2 7/16" (62)	3 15/16" (100)	5 7/16" (138)	6 15/16" (176)
1910	2 11/16" (68)	4 7/16" (113)	6 3/16" (157)	7 15/16" (202)
1915	3 3/16" (81)	5 7/16" (138)	7 11/16" (195)	9 15/16" (252)
1920	3 11/16" (94)	6 7/16" (164)	9 3/16" (233)	11 15/16" (303)

**1900 Accessories: Mitered Corners**
**1900, MITERED CORNERS: OS & IS**

**1900, MITERED CORNER: SD**

**1900, MITERED CORNER AVAILABLE SIZES**

MODEL	Number of Slots	Frames							
		B, J		C, E, D		A		F, K, I	
		OA	D	OA	D	OA	D	OA	D
1950, 1975, 1910	1, 2	12 7/16" (316)	12" (305)	12 3/8" (314)	12" (305)	12 5/16" (313)	12" (305)	12" (305)	12" (305)
	3, 4, 5, 6, 7, 8	24 7/16" (621)	24" (610)	24 3/8" (619)	24" (610)	24 5/16" (618)	24" (610)	24" (610)	24" (610)
1915, 1920	1, 2	12 7/16" (316)	12" (305)	12 3/8" (314)	12" (305)	12 5/16" (313)	12" (305)	12" (305)	12" (305)
	3, 4	30 7/16" (773)	30" (762)	30 3/8" (772)	30" (762)	30 5/16" (770)	30" (762)	30" (762)	30" (762)

NOTES: Dimensions in parentheses are mm. 'OA' is overall length. Mitered corner available in 135°; see website for applicable dimensions.