

	<p>6100, 6150 56100, 56150 These perforated supply ceiling diffusers feature a neck mounted rotatable core with either a round or square neck. Aluminum or steel perforated face is available.</p>		<p>6490, 56490 These perforated ceiling returns feature a square neck. Aluminum or steel perforated face is available.</p>
	<p>6200, 56200 6200FR, 6290F These perforated supply, ceiling diffusers feature neck mounted curved blades with a square neck. Aluminum or steel perforated face is available. Fire rated or filter return variations available.</p>		<p>6600, 56600, 6600FR These perforated supply ceiling diffusers feature face mounted deflectors with a round neck. Aluminum or steel perforated face is available. A fire rated variation is also available.</p>
	<p>6500, 56500 6500FR, 6590F These perforated supply, ceiling diffusers feature neck mounted curved blades with a round neck. Aluminum or steel perforated face is available. Fire rated supply and return variations available.</p>		<p>6690, 56690 These perforated ceiling returns feature a round neck. Aluminum or steel perforated face is available.</p>
	<p>6300 This perforated supply, ceiling diffuser features face mounted deflectors and a prescored fiberglass backpan for field cutting. Available in steel construction only.</p>		<p>6790, 56790 These aluminum or steel perforated screen ceiling panels with no backpan are great for non-ducted return or exhaust applications.</p>
	<p>6390 This perforated return features a prescored fiberglass backpan for field cutting. Available in steel construction only.</p>		<p>1100, 51100 These architectural, perforated, supply ceiling diffusers feature neck mounted curved blades with a square or rectangular neck. Available in steel or aluminum construction. A metric version is also available.</p>
	<p>6400, 56400, 6400FR These perforated supply ceiling diffusers feature face mounted deflectors with a square neck. Aluminum or steel perforated face as well as a fire rated variations are available.</p>		<p>1190, 51190 These architectural, perforated, ceiling returns feature a square or rectangular neck. Available in steel or aluminum construction.</p>

6100, 56100 (Supply)
6150, 56150 (Supply)
 Introduction C1-4
 Dimensional Information & Frame Styles.. C1-5
 Reference Charts..... C1-6
 Performance Data..... C1-9
 Engineering Specifications..... C1-11

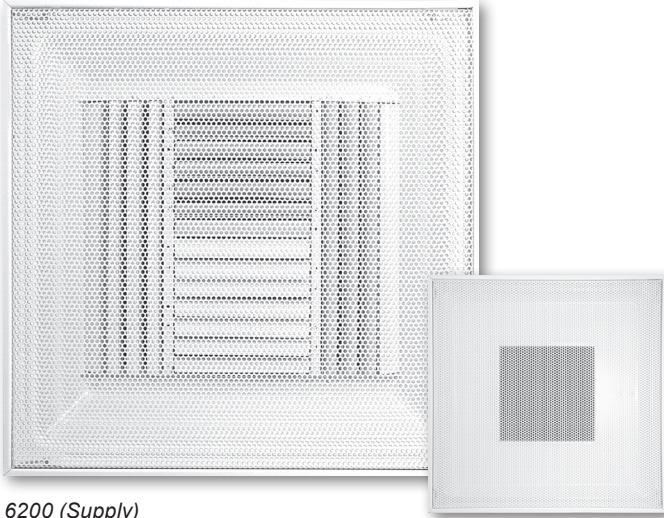
6200, 56200, 6200FR (Supply)
6290FR, 6290F (Return)
 Introduction C1-12
 Dimensional Information C1-13
 Frame Styles..... C1-14
 Reference Charts..... C1-17
 Performance Data..... C1-19
 Engineering Specifications..... C1-41

6500, 56500, 6500FR (Supply)
6590FR (Return)
 Introduction C1-12
 Dimensional Information C1-28
 Frame Styles..... C1-29
 Reference Charts..... C1-31
 Performance Data..... C1-33
 Engineering Specifications..... C1-43

6300 (Supply)
6390 (Return)
 Introduction C1-45
 Dimensional Information C1-46
 Reference Charts..... C1-46
 Performance Data..... C1-48
 Engineering Specifications..... C1-51

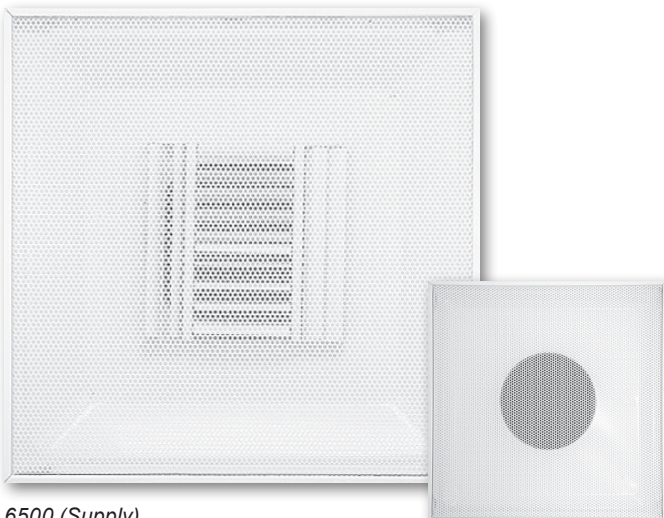
6400, 56400, 6400FR (Supply)
6490, 56490 (Return)
 Introduction C1-52
 Dimensional Information C1-53
 Frame Styles..... C1-55
 Reference Charts C1-58
 Performance Data..... C1-60
 Engineering Specifications..... C1-93

6600, 56600, 6600FR (Supply)
6690, 56690 (Return)
 Introduction C1-52
 Dimensional Information C1-75
 Frame Styles..... C1-77
 Reference Charts..... C1-80
 Performance Data..... C1-82
 Engineering Specifications..... C1-95



6200 (Supply)

6490 (Return)
See page C1-52 for more information.



6500 (Supply)

6690 (Return)
See page C1-52 for more information.

Introduction: 6200, 6500 Series

The 6200/6500 series perforated diffusers use blade-type pattern deflectors mounted on the backpan and are available in pre-selected 1, 2, 3, or 4-way blow patterns. Individually adjustable curved blades allow field adjustment of the air pattern in each direction, which may be field set to any position between a vertical throw and a tight ceiling, long throw pattern. The pattern deflectors on the backpan create aspiration of secondary air through the perforated face where it is mixed with primary air that is then discharged through the perforated face. This aspiration and mixing effect reduces the discharge air temperature to avoid cold air drafts. Additionally, it removes smudging material from the secondary air by impingement on the perforated face. Ceiling smudging of adjacent, hard to clean ceiling surfaces is greatly reduced. The 6200/6500 series diffusers exhibit typical isothermal throws of 8' to 20' for 4-way air distribution and 21' to 50' for 1-way air distribution making this diffuser an excellent choice for irregular room shapes. Matching returns are the 6490 and 6690 series.

MODELS

- 6200 - Steel Construction, Square Neck, Supply Diffuser
- 6200FR - Fire Rated, Steel Construction, Square Neck, Supply Diffuser
- 6290F - Steel Construction, Designed for Standard 20"x20"x1" Filter (By Others), Square Neck, Filter Return
- 6290FR - Fire Rated, Steel Construction, Square Neck Return
- 56200 - Aluminum Perforation with Steel Backpan, Square Neck, Supply Diffuser
- 6500 - Steel Construction, Round Neck, Supply Diffuser
- 6500FR - Fire Rated, Steel Construction, Round Neck, Supply Diffuser
- 56500 - Aluminum Perforation with Steel Backpan, Round Neck, Supply Diffuser
- 6590FR - Fire Rated, Steel Construction, Round Neck Return

FEATURES

- Individually adjustable curved blade pattern deflectors for horizontal to vertical throw.
- Variety of air discharge patterns available.
- Removable perforated face and core for easy cleaning.

PANEL SIZES

- 12"x12"
- 20"x20"
- 24"x24"
- 16"x16"
- 12"x24"
- 24"x48"

ACCESSORIES

- Optional Round Damper
- Optional Opposed Blade Damper (Model OBD)
- Optional Straightening Grid
- Optional Insulated Backpan

FINISHES

- Standard finish is #44 British White.
- Optional finishes available.

6500FR, 6590FR | Curved Blade, Fire Rated

6500FR, 6590FR (Fire Rated Supply/Return) Dimensional Information

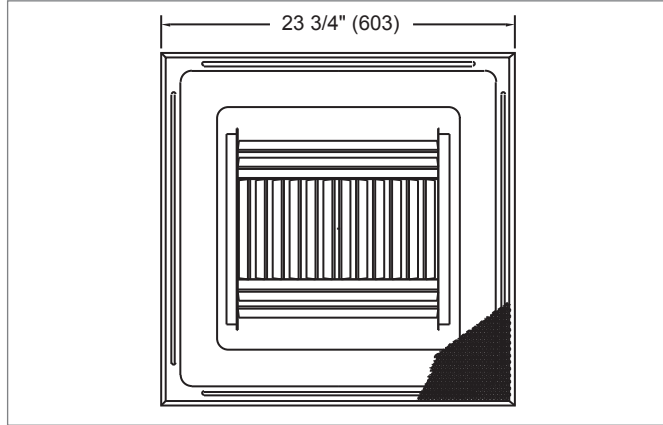
The 6500FR/6590FR offers the safety of fire rated performance with the proven 6500/6590 series diffuser. It is intended for use with Lay-in T-Bar application involving fire rated ceiling designs. It combines this flexibility with all of the features of the standard 6500/6590 and is available exclusively in steel.

6500FR/6590FR comes standard as a UL 263 classified assembly which incorporates a 3-hour rated fire damper and a 1/2" thick ceramic fiber blanket.

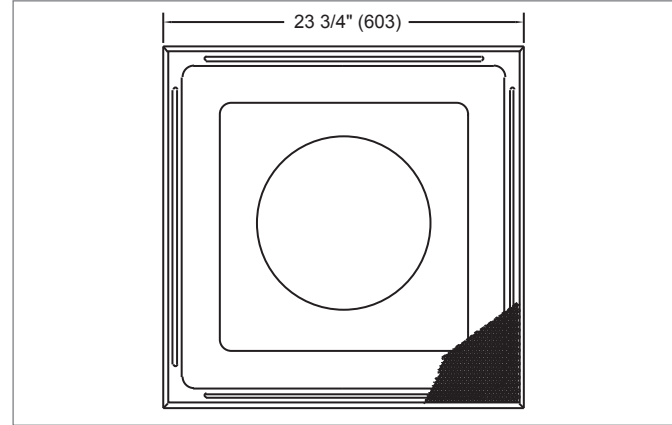


PERFORATED FACE DIFFUSERS

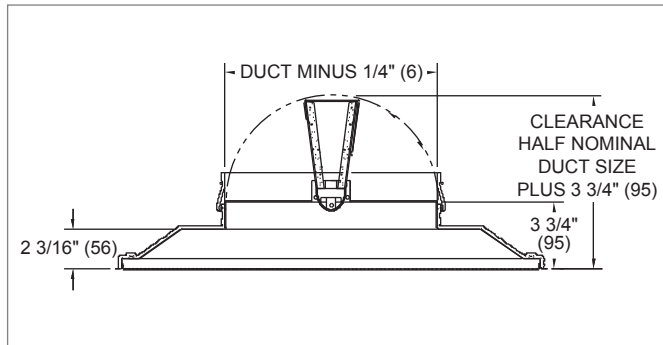
6500FR, SUPPLY FACE VIEW (24"x24" PANEL)



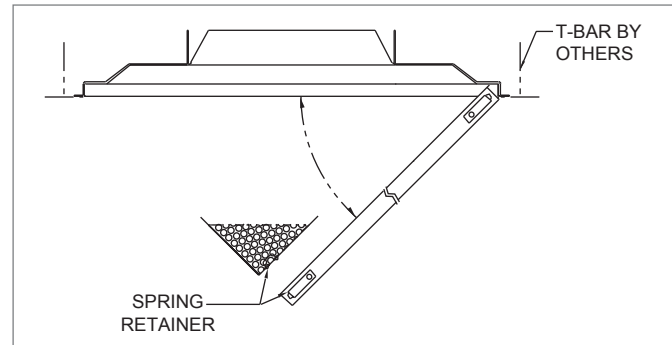
6590FR, RETURN FACE VIEW (24"x24" PANEL)



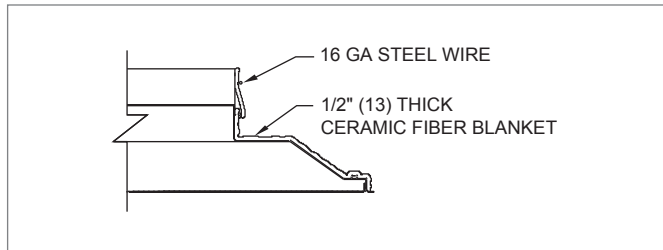
6500FR, 6590FR, CROSS SECTION



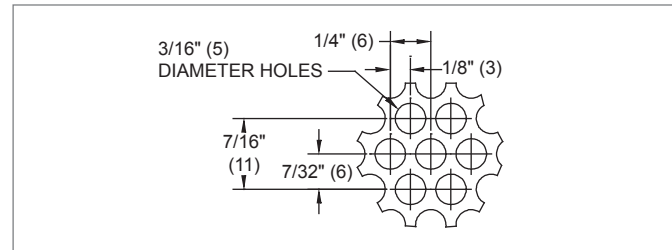
6500FR, 6590FR, HINGE DETAIL



6500FR, 6590FR, FIRE BLANKET DETAIL



6500FR, 6590FR, PERFORATION DETAIL

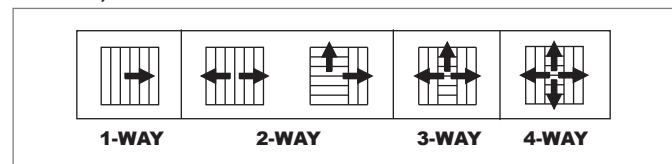


6500FR, 6590FR, AVAILABLE INLET SIZES

	INLET SIZES
NOMINAL PANEL 24" x 24" (610 x 610)	6" (152)
	8" (203)
	10" (254)
	12" (305)
	14" (356)

NOTE: Dimensions in parentheses are mm.

6500FR, DISCHARGE AIR PATTERNS



6500FR-6590FR

© KRUEGER 2012

6500, 56500 (Supply) Performance Data: Horizontal Throw

IP/METRIC DATA: 6500, 56500, 24"x24" PANEL, 4-WAY (NO DAMPER)

PERFORATED FACE DIFFUSERS

	IP Data					NC	Metric Data					Octave Band, dB						
	Neck Vel	Air Flow	Ps	Pt	4-Way Throw		Neck Vel	Air Flow	Ps	Pt	4-Way Throw							
	FPM	CFM	"WG	"WG	ft		m/s	L/s	Pa	Pa	m							
												2	3	4	5	6	7	
6"	300	59	0.011	0.017	2-4-9	-	1.52	28	2.7	4.1	0.6-1.3-2.6	21	21	17	-	-	-	
	400	78	0.020	0.030	3-6-10	-	2.03	37	4.9	7.4	1.0-1.9-3.0	24	26	23	-	-	-	
	500	98	0.031	0.046	5-8-11	-	2.54	46	7.6	11.5	1.6-2.4-3.4	27	30	28	16	-	-	
	600	118	0.044	0.067	6-9-12	15	3.05	56	11.0	16.6	1.9-2.6-3.7	30	33	32	22	-	-	
	700	137	0.060	0.091	7-9-13	19	3.56	65	15.0	22.6	2.2-2.8-4.0	32	36	35	27	13	-	
	800	157	0.078	0.118	8-10-14	22	4.06	74	19.5	29.5	2.5-3.0-4.3	34	38	38	31	18	-	
	900	176	0.099	0.150	9-11-15	25	4.57	83	24.7	37.3	2.6-3.2-4.5	35	40	41	35	23	12	
	1000	196	0.123	0.185	9-11-16	28	5.08	93	30.5	46.1	2.8-3.4-4.8	37	42	43	38	28	16	
	1100	216	0.148	0.224	10-12-17	30	5.59	102	36.9	55.7	2.9-3.6-5.0	38	44	45	41	32	20	
8"	300	105	0.011	0.017	2-6-12	-	1.52	49	2.7	4.1	0.7-1.7-3.5	25	24	21	-	-	-	
	400	140	0.020	0.030	4-8-13	-	2.03	66	4.9	7.4	1.3-2.5-4.0	28	29	27	15	-	-	
	500	175	0.031	0.046	7-10-15	15	2.54	82	7.6	11.5	2.1-3.2-4.5	31	33	32	22	-	-	
	600	209	0.044	0.067	8-12-16	19	3.05	99	11.0	16.6	2.5-3.5-5.0	34	36	36	27	13	-	
	700	244	0.060	0.091	10-12-18	23	3.56	115	15.0	22.6	3.0-3.8-5.4	36	38	39	32	20	-	
	800	279	0.078	0.118	11-13-19	27	4.06	132	19.5	29.5	3.3-4.0-5.7	38	41	42	36	25	15	
	900	314	0.099	0.150	12-14-20	30	4.57	148	24.7	37.3	3.5-4.3-6.1	39	43	45	40	30	19	
	1000	349	0.123	0.185	12-15-21	32	5.08	165	30.5	46.1	3.7-4.5-6.4	40	45	47	43	35	23	
	1100	384	0.148	0.224	13-16-22	35	5.59	181	36.9	55.7	3.9-4.7-6.7	42	46	49	46	39	27	
10"	300	164	0.011	0.017	3-7-14	-	1.52	77	2.7	4.1	0.9-2.1-4.4	28	26	23	-	-	-	
	400	218	0.020	0.030	5-10-17	12	2.03	103	4.9	7.4	1.7-3.2-5.1	31	31	30	19	-	-	
	500	273	0.031	0.046	9-13-19	18	2.54	129	7.6	11.5	2.6-4.0-5.7	34	35	35	26	11	-	
	600	327	0.044	0.067	10-14-20	23	3.05	154	11.0	16.6	3.2-4.4-6.2	37	38	39	32	19	-	
	700	382	0.060	0.091	12-16-22	27	3.56	180	15.0	22.6	3.7-4.7-6.7	39	41	42	36	25	15	
	800	436	0.078	0.118	14-17-24	30	4.06	206	19.5	29.5	4.1-5.1-7.2	41	43	45	41	31	20	
	900	491	0.099	0.150	14-18-25	33	4.57	231	24.7	37.3	4.4-5.4-7.6	42	45	48	44	36	25	
	1000	545	0.123	0.185	15-19-26	36	5.08	257	30.5	46.1	4.6-5.7-8.0	43	47	50	47	40	29	
	1100	600	0.148	0.224	16-20-28	38	5.59	283	36.9	55.7	4.8-5.9-8.4	45	48	52	50	44	33	
12"	300	235	0.011	0.017	4-8-17	-	1.52	111	2.7	4.1	1.1-2.5-5.3	30	27	26	14	-	-	
	400	314	0.020	0.030	7-12-20	15	2.03	148	4.9	7.4	2.0-3.8-6.1	34	32	32	23	-	-	
	500	392	0.031	0.046	10-16-22	21	2.54	185	7.6	11.5	3.1-4.7-6.8	37	36	37	30	15	-	
	600	471	0.044	0.067	12-17-24	26	3.05	222	11.0	16.6	3.8-5.3-7.4	39	40	41	35	23	14	
	700	549	0.060	0.091	15-19-26	30	3.56	259	15.0	22.6	4.4-5.7-8.0	41	42	44	40	30	20	
	800	628	0.078	0.118	16-20-28	33	4.06	296	19.5	29.5	5.0-6.1-8.6	43	45	47	44	35	25	
	900	706	0.099	0.150	17-21-30	36	4.57	333	24.7	37.3	5.3-6.4-9.1	45	47	50	48	40	30	
	1000	785	0.123	0.185	18-22-32	39	5.08	370	30.5	46.1	5.5-6.8-9.6	46	48	52	51	45	34	
	1100	863	0.148	0.224	19-23-33	41	5.59	407	36.9	55.7	5.8-7.1-10.1	47	50	54	54	49	37	
14"	200	214	0.005	0.007	2-4-15	-	1.02	101	1.2	1.8	0.6-1.3-4.4	27	22	19	-	-	-	
	300	320	0.011	0.017	4-10-20	-	1.52	151	2.7	4.1	1.3-2.9-6.1	32	29	28	17	-	-	
	400	427	0.020	0.030	8-15-23	18	2.03	202	4.9	7.4	2.3-4.4-7.1	36	34	34	26	-	-	
	500	534	0.031	0.046	12-18-26	23	2.54	252	7.6	11.5	3.6-5.5-7.9	39	38	39	32	19	11	
	600	641	0.044	0.067	15-20-29	28	3.05	302	11.0	16.6	4.4-6.1-8.7	41	41	43	38	27	18	
	700	748	0.060	0.091	17-22-31	32	3.56	353	15.0	22.6	5.2-6.6-9.4	43	44	46	43	33	24	
	800	855	0.078	0.118	19-23-33	35	4.06	403	19.5	29.5	5.8-7.1-10.0	45	46	49	47	39	29	
	900	961	0.099	0.150	20-25-35	38	4.57	454	24.7	37.3	6.1-7.5-10.6	47	48	52	51	44	34	
	1000	1068	0.123	0.185	21-26-37	41	5.08	504	30.5	46.1	6.5-7.9-11.2	48	50	54	54	48	38	
16"	200	279	0.005	0.007	2-5-17	-	1.02	132	1.2	1.8	0.7-1.5-5.1	28	23	21	-	-	-	
	300	419	0.011	0.017	5-11-23	12	1.52	198	2.7	4.1	1.5-3.4-7.0	34	30	29	19	-	-	
	400	558	0.020	0.030	9-17-27	20	2.03	263	4.9	7.4	2.6-5.1-8.1	38	35	36	28	13	-	
	500	698	0.031	0.046	14-21-30	25	2.54	329	7.6	11.5	4.1-6.3-9.0	41	39	41	35	22	14	
	600	837	0.044	0.067	17-23-33	30	3.05	395	11.0	16.6	5.1-7.0-9.9	43	42	45	41	30	21	
	700	977	0.060	0.091	19-25-35	34	3.56	461	15.0	22.6	5.9-7.6-10.7	45	45	48	45	37	27	
	800	1116	0.078	0.118	22-27-38	38	4.06	527	19.5	29.5	6.6-8.1-11.4	47	47	51	49	42	32	
	850	1186	0.089	0.134	22-27-39	39	4.32	560	22.1	33.3	6.8-8.3-11.8	48	48	52	51	45	35	
	900	1256	0.099	0.150	23-28-40	41	4.57	593	24.7	37.3	7.0-8.6-12.1	48	49	54	53	47	37	

NOTE: See pages C1-36 for notes.

6500 - 56500

© KRUEGER 2012

6500, 56500 (Supply) Performance Data: Horizontal Throw
IP/METRIC DATA: 6500, 56500, 24"x24" PANEL, 1 - 3-WAY (NO DAMPER)

	IP Data					Metric Data				
	Neck Vel	Air Flow	1-Way Throw	2-Way Throw	3-Way Throw	Neck Vel	Air Flow	1-Way Throw	2-Way Throw	3-Way Throw
	FPM	CFM	ft	ft	ft	m/s	L/s	m	m	m
6"	300	59	3 - 5 - 11	2 - 5 - 10	2 - 4 - 8	1.52	28	0.8 - 1.6 - 3.2	0.7 - 1.5 - 3.0	0.5 - 1.2 - 2.6
	400	78	5 - 7 - 12	4 - 7 - 11	3 - 6 - 10	2.03	37	1.5 - 2.2 - 3.7	1.2 - 2.1 - 3.5	1.0 - 1.8 - 2.9
	500	98	6 - 9 - 14	6 - 9 - 13	5 - 7 - 11	2.54	46	1.8 - 2.7 - 4.1	1.8 - 2.6 - 3.9	1.5 - 2.2 - 3.3
	600	118	7 - 11 - 15	7 - 10 - 14	6 - 8 - 12	3.05	56	2.2 - 3.2 - 4.5	2.1 - 3.0 - 4.2	1.8 - 2.6 - 3.6
	700	137	8 - 11 - 16	8 - 11 - 15	7 - 9 - 13	3.56	65	2.6 - 3.5 - 4.9	2.5 - 3.2 - 4.6	2.1 - 2.8 - 3.9
	800	157	10 - 12 - 17	9 - 11 - 16	8 - 10 - 14	4.06	74	2.9 - 3.7 - 5.2	2.8 - 3.5 - 4.9	2.4 - 2.9 - 4.2
	900	176	11 - 13 - 18	10 - 12 - 17	8 - 10 - 15	4.57	83	3.2 - 3.9 - 5.5	3.0 - 3.7 - 5.2	2.6 - 3.1 - 4.4
	1000	196	11 - 14 - 19	10 - 13 - 18	9 - 11 - 15	5.08	93	3.4 - 4.1 - 5.8	3.2 - 3.9 - 5.5	2.7 - 3.3 - 4.7
	1100	216	12 - 14 - 20	11 - 13 - 19	9 - 11 - 16	5.59	102	3.5 - 4.3 - 6.1	3.3 - 4.0 - 5.7	2.8 - 3.5 - 4.9
8"	300	105	4 - 7 - 14	3 - 7 - 13	2 - 5 - 11	1.52	49	1.1 - 2.2 - 4.3	0.9 - 2.1 - 4.0	0.7 - 1.6 - 3.4
	400	140	6 - 10 - 16	5 - 9 - 15	4 - 8 - 13	2.03	66	1.9 - 2.9 - 4.9	1.6 - 2.8 - 4.6	1.3 - 2.4 - 3.9
	500	175	8 - 12 - 18	8 - 12 - 17	7 - 10 - 14	2.54	82	2.4 - 3.7 - 5.5	2.3 - 3.5 - 5.1	2.0 - 3.0 - 4.4
	600	209	10 - 14 - 20	9 - 13 - 19	8 - 11 - 16	3.05	99	2.9 - 4.3 - 6.0	2.8 - 4.0 - 5.6	2.4 - 3.4 - 4.8
	700	244	11 - 15 - 21	11 - 14 - 20	9 - 12 - 17	3.56	115	3.4 - 4.6 - 6.5	3.3 - 4.3 - 6.1	2.8 - 3.7 - 5.2
	800	279	13 - 16 - 23	12 - 15 - 21	10 - 13 - 18	4.06	132	3.9 - 4.9 - 7.0	3.7 - 4.6 - 6.5	3.2 - 3.9 - 5.6
	900	314	14 - 17 - 24	13 - 16 - 23	11 - 14 - 19	4.57	148	4.3 - 5.2 - 7.4	4.0 - 4.9 - 6.9	3.4 - 4.2 - 5.9
	1000	349	15 - 18 - 26	14 - 17 - 24	12 - 14 - 20	5.08	165	4.5 - 5.5 - 7.8	4.2 - 5.1 - 7.3	3.6 - 4.4 - 6.2
	1100	384	16 - 19 - 27	15 - 18 - 25	12 - 15 - 21	5.59	181	4.7 - 5.8 - 8.2	4.4 - 5.4 - 7.6	3.8 - 4.6 - 6.5
10"	300	164	4 - 9 - 18	4 - 8 - 16	3 - 7 - 14	1.52	77	1.4 - 2.8 - 5.3	1.1 - 2.6 - 5.0	0.9 - 2.0 - 4.3
	400	218	8 - 12 - 20	7 - 12 - 19	5 - 10 - 16	2.03	103	2.4 - 3.7 - 6.2	2.0 - 3.5 - 5.8	1.6 - 3.0 - 4.9
	500	273	10 - 15 - 23	10 - 14 - 21	8 - 12 - 18	2.54	129	3.1 - 4.6 - 6.9	2.9 - 4.4 - 6.4	2.5 - 3.7 - 5.5
	600	327	12 - 18 - 25	12 - 16 - 23	10 - 14 - 20	3.05	154	3.7 - 5.3 - 7.5	3.5 - 5.0 - 7.0	3.0 - 4.3 - 6.0
	700	382	14 - 19 - 27	13 - 18 - 25	11 - 15 - 21	3.56	180	4.3 - 5.8 - 8.1	4.1 - 5.4 - 7.6	3.5 - 4.6 - 6.5
	800	436	16 - 20 - 29	15 - 19 - 27	13 - 16 - 23	4.06	206	4.9 - 6.2 - 8.7	4.7 - 5.8 - 8.1	4.0 - 4.9 - 6.9
	900	491	18 - 21 - 30	16 - 20 - 28	14 - 17 - 24	4.57	231	5.3 - 6.5 - 9.2	5.0 - 6.1 - 8.6	4.3 - 5.2 - 7.4
	1000	545	18 - 23 - 32	17 - 21 - 30	15 - 18 - 26	5.08	257	5.6 - 6.9 - 9.7	5.3 - 6.4 - 9.1	4.5 - 5.5 - 7.8
	1100	600	19 - 24 - 34	18 - 22 - 31	15 - 19 - 27	5.59	283	5.9 - 7.2 - 10.2	5.5 - 6.7 - 9.5	4.7 - 5.8 - 8.1
12"	300	235	5 - 11 - 21	5 - 10 - 20	4 - 8 - 17	1.52	111	1.6 - 3.3 - 6.4	1.4 - 3.1 - 6.0	1.1 - 2.4 - 5.1
	400	314	10 - 14 - 24	8 - 14 - 23	6 - 12 - 19	2.03	148	2.9 - 4.4 - 7.4	2.4 - 4.2 - 6.9	1.9 - 3.6 - 5.9
	500	392	12 - 18 - 27	12 - 17 - 25	10 - 15 - 22	2.54	185	3.7 - 5.5 - 8.3	3.5 - 5.3 - 7.7	3.0 - 4.5 - 6.6
	600	471	14 - 21 - 30	14 - 20 - 28	12 - 17 - 24	3.05	222	4.4 - 6.4 - 9.0	4.2 - 6.0 - 8.5	3.6 - 5.1 - 7.2
	700	549	17 - 23 - 32	16 - 21 - 30	14 - 18 - 26	3.56	259	5.1 - 6.9 - 9.8	4.9 - 6.5 - 9.1	4.2 - 5.5 - 7.8
	800	628	19 - 24 - 34	18 - 23 - 32	16 - 19 - 27	4.06	296	5.9 - 7.4 - 10.4	5.6 - 6.9 - 9.8	4.8 - 5.9 - 8.3
	900	706	21 - 26 - 36	20 - 24 - 34	17 - 21 - 29	4.57	333	6.4 - 7.8 - 11.1	6.0 - 7.3 - 10.4	5.1 - 6.3 - 8.8
	1000	785	22 - 27 - 38	21 - 25 - 36	18 - 22 - 31	5.08	370	6.7 - 8.3 - 11.7	6.3 - 7.7 - 10.9	5.4 - 6.6 - 9.3
	1100	863	23 - 28 - 40	22 - 27 - 38	19 - 23 - 32	5.59	407	7.1 - 8.7 - 12.2	6.6 - 8.1 - 11.5	5.6 - 6.9 - 9.8
14"	200	214	3 - 6 - 17	2 - 5 - 16	2 - 4 - 14	1.02	101	0.8 - 1.9 - 5.1	0.7 - 1.6 - 4.9	0.6 - 1.3 - 4.2
	300	320	6 - 13 - 25	5 - 12 - 23	4 - 9 - 20	1.52	151	1.9 - 3.9 - 7.5	1.6 - 3.6 - 7.0	1.3 - 2.9 - 6.0
	400	427	11 - 17 - 28	9 - 16 - 27	7 - 14 - 23	2.03	202	3.4 - 5.1 - 8.6	2.9 - 4.9 - 8.1	2.3 - 4.2 - 6.9
	500	534	14 - 21 - 32	13 - 20 - 30	11 - 17 - 25	2.54	252	4.3 - 6.4 - 9.6	4.1 - 6.1 - 9.0	3.5 - 5.2 - 7.7
	600	641	17 - 25 - 35	16 - 23 - 32	14 - 20 - 28	3.05	302	5.1 - 7.5 - 10.6	4.9 - 7.0 - 9.9	4.2 - 6.0 - 8.4
	700	748	20 - 27 - 37	19 - 25 - 35	16 - 21 - 30	3.56	353	6.0 - 8.1 - 11.4	5.7 - 7.5 - 10.7	4.9 - 6.4 - 9.1
	800	855	23 - 28 - 40	22 - 27 - 37	18 - 23 - 32	4.06	403	6.8 - 8.6 - 12.2	6.6 - 8.1 - 11.4	5.6 - 6.9 - 9.7
	900	961	25 - 30 - 43	23 - 28 - 40	20 - 24 - 34	4.57	454	7.5 - 9.1 - 12.9	7.0 - 8.5 - 12.1	6.0 - 7.3 - 10.3
	1000	1068	26 - 32 - 45	24 - 30 - 42	21 - 25 - 36	5.08	504	7.9 - 9.6 - 13.6	7.4 - 9.0 - 12.7	6.3 - 7.7 - 10.9
16"	200	279	3 - 7 - 19	3 - 6 - 18	2 - 5 - 16	1.02	132	1.0 - 2.2 - 5.9	0.8 - 1.8 - 5.6	0.6 - 1.4 - 4.8
	300	419	7 - 14 - 28	6 - 14 - 26	5 - 11 - 22	1.52	198	2.2 - 4.4 - 8.5	1.8 - 4.1 - 8.0	1.4 - 3.3 - 6.8
	400	558	13 - 19 - 32	11 - 18 - 30	8 - 16 - 26	2.03	263	3.9 - 5.9 - 9.8	3.3 - 5.6 - 9.2	2.6 - 4.8 - 7.9
	500	698	16 - 24 - 36	15 - 23 - 34	13 - 20 - 29	2.54	329	4.9 - 7.3 - 11.0	4.7 - 7.0 - 10.3	4.0 - 6.0 - 8.8
	600	837	19 - 28 - 40	18 - 26 - 37	16 - 22 - 32	3.05	395	5.9 - 8.5 - 12.1	5.6 - 8.0 - 11.3	4.8 - 6.8 - 9.6
	700	977	23 - 30 - 43	22 - 28 - 40	18 - 24 - 34	3.56	461	6.8 - 9.2 - 13.0	6.6 - 8.6 - 12.2	5.6 - 7.4 - 10.4
	800	1116	26 - 32 - 46	25 - 30 - 43	21 - 26 - 37	4.06	527	7.8 - 9.8 - 13.9	7.5 - 9.2 - 13.0	6.4 - 7.9 - 11.1
	900	1256	28 - 34 - 49	26 - 32 - 45	22 - 27 - 39	4.57	593	8.5 - 10.4 - 14.8	8.0 - 9.8 - 13.8	6.8 - 8.3 - 11.8
	1000	1395	30 - 36 - 51	28 - 34 - 48	24 - 29 - 41	5.08	658	9.0 - 11.0 - 15.6	8.4 - 10.3 - 14.6	7.2 - 8.8 - 12.4

 © KRUEGER 2012
 NOTE: See pages C1-37 for notes.

6200FR, 6290FR | Curved Blade, Fire Rated

6200FR, 6290FR (Fire Rated Supply/Return) Suggested Specification & Configuration

6200FR

The perforated face fire rated supply diffuser shall be Krueger model 6200FR. The diffuser must be UL classified fire rated ceiling diffuser assembly listed in Underwriters Laboratories [Fire Resistance Directory](#). The diffuser shall be tested in accordance with UL 263 and must meet NFPA 90 requirements. The diffuser must be able to operate in three-hour fire-rated, exposed grid suspended ceiling. The diffusers shall have a perforated face with 3/16" diameter holes on 1/4" centers resulting in a 51% free area. The diffuser backpan shall be constructed of heavy gage steel and provide a square neck.

The diffuser shall have individually adjustable curved blade deflectors mounted at the neck of the diffuser. The curved blade deflectors shall allow vertical or 1, 2, 3, or 4-way horizontal projection of air in to the room. The perforated face must be easily removable from the backpan for access to the adjustable curved blades.

6290FR

The perforated face fire rated return diffuser shall be Krueger model 6290FR. The diffuser must be UL classified fire rated ceiling diffuser assembly listed in Underwriters Laboratories [Fire Resistance Directory](#). The diffuser shall be tested in accordance with UL 263 and must meet NFPA 90 requirements. The diffuser must be able to operate in three-hour fire-rated, exposed grid suspended ceiling. The diffusers shall have a perforated face with 3/16" diameter holes on 1/4" centers resulting in a 51% free area. The diffuser backpan shall be constructed of heavy gage steel and provide a square neck.

The return diffuser shall match the Krueger model 6200FR diffuser in appearance. The perforated face must be easily removable from the backpan.

PERFORMANCE

The manufacturer shall provide published (printed or electronic) performance data for the diffuser. Performance data shall include 2 - 7 octave band sound power levels. The diffuser shall be tested in accordance to the data standards at the time of product introduction or ANSI/ASHRAE Standard 70.

FINISH

The paint finish shall be #44 British White and be an anodic acrylic paint, baked at 315° for 30 minutes. The paint thickness shall be 0.8 - 1.0 mils, gloss at 60° per ASTM D523-89 of 50 - 85%, pencil hardness per ASTM D3363-92A of HB - H, crosshatch adhesion per ASTM D3359-83 of 4B - 5B, impact per ASTM D2794-93 of direct impact >100 in/lb and reverse impact >80 in/lb, salt spray per ASTM B117-9048 of 96 hours, humidity per ASTM D2247-92 of >500 hours and water soak per ASTM D870-92 of 250 hours.

- 1. SERIES: (XXXXXX)**
6200FR - Perforated, Square Neck with Backpan Mounted Adjustable Curved Blades, Steel Fire Rated Supply Diffuser
6290FR - Perforated, Square Neck, Steel Fire Rated Return
- 2. PATTERN: (XXX)**
01 - 1-Way
02 - 2-Way
03 - 3-Way
04 - 4-Way
02C - 2-Way Corner
90 - Return
- 3. WIDTH: SQUARE NECK ONLY (XX)**
6" - 14" in 2" Increments
- 4. HEIGHT: SQUARE NECK ONLY (XX)**
6" - 14" in 2" Increments
- 5. FRAME: (XXX)**
F23 - Lay-in T-Bar
- 6. PANEL: (XX)x(XX)**
24"x24"
- 7. FINISH: (XX)**
01 - Mill
10 - Alumican
35 - Black
44 - British White



PERFORATED FACE DIFFUSERS

6200FR - 6290FR

SAMPLE CONFIGURATION: 6200FR - 04 - 14x14 - F23 - 24x24 - 44