



KSD

**Introduction: KSD**

This high induction diffuser promotes the rotation of room air which increases mixing effectiveness. The 360° horizontal discharge pattern works great in VAV applications where turndown requirements exceed 50% of maximum airflow for properly selected diffusers. The unique style of this diffuser will provide an aesthetically pleasing appearance to any architectural application. Offered in with a variety of neck sizes, the KSD can handle a wide range of airflows.

**MODEL**

KSD - Swirl Diffuser, Aluminum Construction

**FEATURES**

- For use in lay-in T-bar applications.
- High capacity airflow.
- Aesthetically pleasing appearance.

**PANEL SIZE**

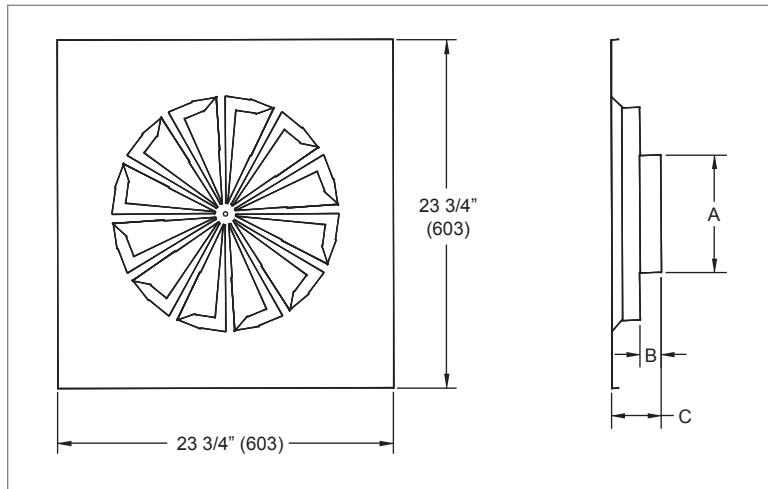
- 24"x24"

**FINISHES**

- Standard finish is #44 British White.
- Optional finishes available.

**KSD Dimensional Information**

**KSD, FACE & SIDE VIEWS**



**KSD, AVAILABLE SIZES**

Nominal Neck Size	A	B	C
6" (152)	5 7/8" (149)	1 1/2" (38)	3 1/2" (89)
8" (203)	7 7/8" (200)	1 1/2" (38)	3 1/2" (89)
10" (254)	9 7/8" (251)	1 1/2" (38)	3 1/2" (89)
12" (305)	11 7/8" (302)	1 1/4" (32)	3 1/4" (83)
14" (356)	13 7/8" (352)	1 1/2" (38)	3 1/2" (89)

NOTE: Dimensions in parentheses are mm.