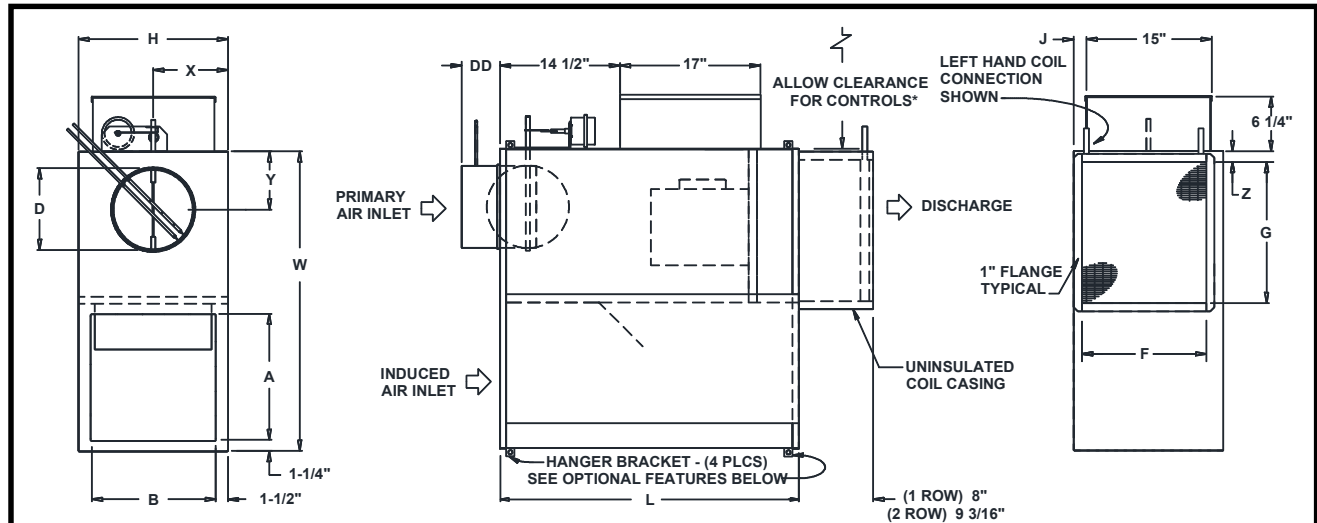


JOB NAME \_\_\_\_\_  
 ARCHITECT \_\_\_\_\_  
 ENGINEER \_\_\_\_\_  
 CONTRACTOR \_\_\_\_\_  
 LOCATION \_\_\_\_\_

**SUBMITTAL SHEET**  
 Form Number TUS0318.9 Effective Date 8/20  
 Replaces TUS0318.8



**KQFS w/ PNEUMATIC CONTROLS and HOT WATER HEAT**  
**CONSTANT VOLUME FAN TERMINAL UNIT, SIZES 2-7**



**INLET VIEW**

**PLAN VIEW – LEFT HAND UNIT**  
 RIGHT HAND UNITS AVAILABLE - CONTROLS NOT SHOWN

**DISCHARGE VIEW**

**STANDARD FEATURES:**

- 20 Ga. galvanized steel construction.
- Control enclosure for electronic components.
- 1/2" thick dual density fiberglass insulation meeting **NFPA 90A** and **UL 181** safety requirements.
- 120V  208V/240V  277V multi-voltage, single speed, single phase, permanently lubricated PSC motors (Unit Size 7 not available in 120V).
- Field adjustable fan speed control.
- Integral induced air attenuator.
- Motor/blower isolation.
- Removable bottom panel allows easy access to motor-blower assembly, primary air damper and water coil.
- Four quadrant averaging cross flow sensor inlet size 6-10 (DD=4 7/8") sizes 12-16 (DD=6 7/8").
- Discharge requires a flanged duct connection by others.
- Factory supplied 24 volt control transformer.
- **ETL** listed – Adherence to **UL1995** and **CSA C22.2 No.236.95**
- **AHRI** certified sound ratings.

**OPTIONAL FEATURES:**

- ECM Motor (Available on Unit Size 3, 6, & 7)
  - Manual Control  0-10Vdc Remote Control
  - 2-10Vdc Remote Control  120V  208V/240V  277V
- Liners:
  - 1" Dual density fiberglass insulation
  - 1/2" Cellular insulation
  - 1" Cellular insulation
  - 13/16" Steriliner Duct Board Insulation
  - 1/2" Foil encapsulated fiberglass insulation
  - 1" Foil encapsulated fiberglass insulation
  - Solid Metal Liner w/ 1/2" Dual Density Fiberglass
  - Perforated Metal Liner w/ 1/2" Dual Density Fiberglass
- Linear average sensor / inlet sizes 6-10 (DD = 4 7/8"), sizes 12 – 16 (DD = 6 7/8")
  - Motor disconnect  Cam lock bottom access
  - Motor fusing  Coil vent and drain
  - Dust tight control enclosure
  - Construction type induced air filter; Unit sizes 2 - 3 (17"x17"x1"); Unit sizes 4 - 7 (22"x19"x1")
  - Hanger Brackets (not available with Double wall or Perf Double wall)

**NOTES:** Dimensions are given in inches  
 \*Check NEC for unit clearance requirements.

UNIT SIZE	PRIM. CFM	MAX FAN CFM		PSC MOTOR HP	INLET SIZE	L	W	H	INDUCED		D	DISCHARGE		J	X	Y	Z
		1 ROW	2 ROW						A	B		F	G				
2	500	530	525	1/10	06	39 1/2	36 1/8	18 1/16	15 1/8	15	5 7/8	15 1/8	17	1 9/16	9	6	2
2	900	530	525	1/10	08	39 1/2	36 1/8	18 1/16	15 1/8	15	7 7/8	15 1/8	17	1 9/16	9	6	2
3	900	1030	900	1/4	08	39 1/2	36 1/8	18 1/16	15 1/8	15	7 7/8	15 1/8	17	1 9/16	9	6	2
3	1450	1030	900	1/4	10	39 1/2	36 1/8	18 1/16	15 1/8	15	9 7/8	15 1/8	17	1 9/16	9	7	2
4	1450	1175	950	1/4	10	42 1/8	46 1/8	20 1/16	20 1/8	17	9 7/8	15 1/8	17	2 9/16	10	7	3 3/16
4	2100	1175	950	1/4	12	42 1/8	46 1/8	20 1/16	20 1/8	17	11 7/8	15 1/8	17	2 9/16	10	8	3 3/16
5	2100	1750	1600	1/2	12	42 1/8	46 1/8	20 1/16	20 1/8	17	11 7/8	17 5/8	25	2 9/16	10	8	1
5	2800	1750	1600	1/2	14	42 1/8	46 1/8	20 1/16	20 1/8	17	13 7/8	17 5/8	25	2 9/16	10	10	1
6	2800	2400	2275	3/4	14	42 1/8	46 1/8	20 1/16	20 1/8	17	13 7/8	17 5/8	25	2 9/16	10	10	1
6	3700	2400	2275	3/4	16	42 1/8	46 1/8	20 1/16	20 1/8	17	15 7/8	17 5/8	25	2 9/16	10	10 1/4	1
7	3700	2775	2475	1	16	42 1/8	46 1/8	20 1/16	20 1/8	17	15 7/8	17 5/8	25	2 9/16	10	10 1/4	1