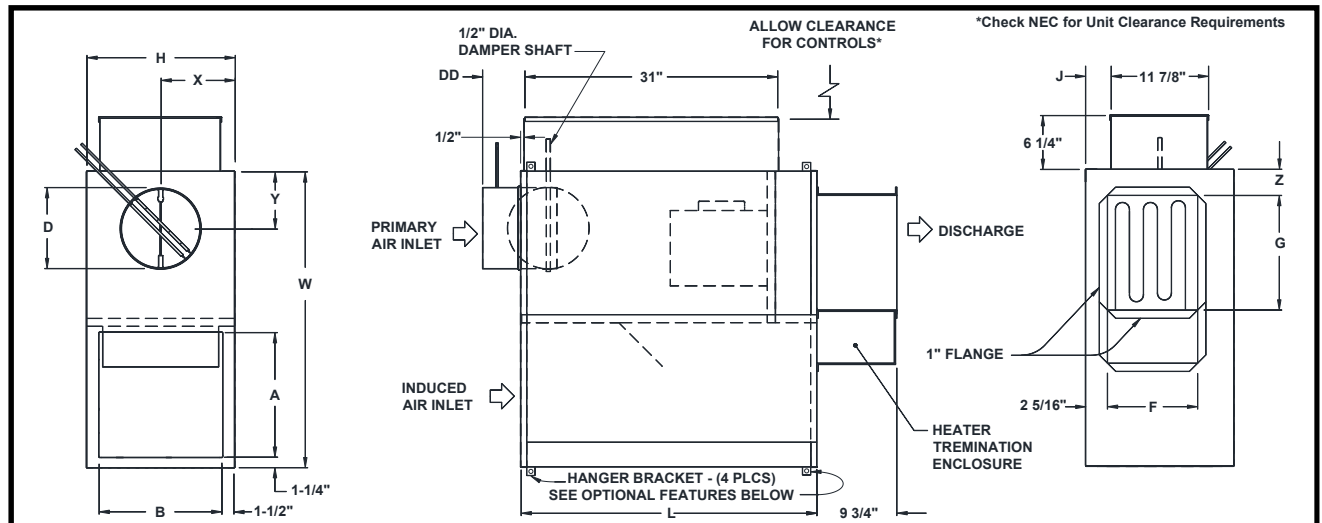


JOB NAME \_\_\_\_\_  
 ARCHITECT \_\_\_\_\_  
 ENGINEER \_\_\_\_\_  
 CONTRACTOR \_\_\_\_\_  
 LOCATION \_\_\_\_\_

**SUBMITTAL SHEET**  
 Form TUS0317.11 Effective Date 8/20  
 Replaces Form TUS317.10



**KQFS w/ ELECTRONIC CONTROLS and ELECTRIC HEAT**  
**CONSTANT VOLUME FAN TERMINAL UNIT, SIZES 2-7**



**INLET VIEW** **PLAN VIEW – Left Hand Unit Shown** **DISCHARGE VIEW**  
 Right Hand Unit Available

**STANDARD FEATURES:**

- 20 Ga. galvanized steel construction
- Control enclosure for electronic components
- 1/2" thick dual density fiberglass insulation meeting **NFPA 90A** and **UL 181** safety requirements
- 120V  208V/240V  277V multi-voltage, single speed, single phase, permanently lubricated PSC motors (Unit Size 7 not available in 120V)
- Field adjustable fan speed control
- Integral induced air attenuator
- Motor/blower isolation
- Removable bottom panel allows easy access to motor-blower assembly and primary air damper
- Four quadrant averaging cross flow sensor/inlet sizes 6-10 (DD=4 7/8") sizes 12-16 (DD=6 7/8")
- Discharge requires a flanged duct connection by others
- Factory supplied 24 volt control transformer
- 80/20 Ni-Cr element
- ETL listed – Adherence to **UL 1995** and **CSA C22.2 No. 236.95**
- AHRI certified sound ratings

**NOTE:** Dimensions are given in inches

**OPTIONAL FEATURES:**

- ECM Motor (Available on Unit Size 3, 6, & 7)
  - Manual Control  0-10Vdc Remote Control
  - 2-10Vdc Remote Control
  - 120V  208V/240V  277V
- Liners:
  - 1" Dual density fiberglass insulation
  - 1/2" Cellular insulation
  - 1" Cellular insulation
  - 13/16" Steriliner Duct Board Insulation
  - 1/2" Foil encapsulated fiberglass insulation
  - 1" Foil encapsulated fiberglass insulation
  - Solid Metal Liner w/ 1/2" Dual Density Fiberglass
  - Perforated Metal Liner w/ 1/2" Dual Density Fiberglass
- Linear averaging sensor/inlet sizes 6-10 (DD=4 7/8"), sizes 12-16 (DD=6 7/8").
- Door Interlocking Disconnect Switch
  - Fused  Non-Fused
- LineaHeat controlled SSR heat
  - Discharge temperature sensor
- 24VAC SSR  Motor Fusing
- Dust tight control enclosure  Cam lock bottom access
- Construction type induced air filter; Unit sizes 2 - 3 (17"x17"x1"); Unit sizes 4 - 7 (22"x19"x1")
- Hanger Brackets (not available with Double wall or Perf Double wall)

UNIT SIZE	INLET SIZE	PSC HP	ECM HP	L	W	H	INDUCED AIR		D	DISCHARGE		J	X	Y	Z
							A	B		F	G				
2	06	1/10	-	39 1/2	36 1/8	18 1/16	15 1/8	15	5 7/8	11 1/2	14 1/2	3 1/8	9	6	1 7/8
2	08	1/10	-	39 1/2	36 1/8	18 1/16	15 1/8	15	7 7/8	11 1/2	14 1/2	3 1/8	9	6	1 7/8
3	06	1/4	1/2	39 1/2	36 1/8	18 1/16	15 1/8	15	5 7/8	11 1/2	14 1/2	3 1/8	9	6	1 7/8
3	08	1/4	1/2	39 1/2	36 1/8	18 1/16	15 1/8	15	7 7/8	11 1/2	14 1/2	3 1/8	9	6	1 7/8
3	10	1/4	1/2	39 1/2	36 1/8	18 1/16	15 1/8	15	9 7/8	11 1/2	14 1/2	3 1/8	9	7	1 7/8
3	12	1/4	1/2	39 1/2	36 1/8	18 1/16	15 1/8	15	11 7/8	11 1/2	14 1/2	3 1/8	9	8	1 7/8
4	10	1/4	-	42 1/8	46 1/8	20 1/16	20 1/8	17	9 7/8	11 1/2	14 1/2	4 1/8	10	7	4 7/8
4	12	1/4	-	42 1/8	46 1/8	20 1/16	20 1/8	17	11 7/8	11 1/2	14 1/2	4 1/8	10	8	4 7/8
5	12	1/2	-	42 1/8	46 1/8	20 1/16	20 1/8	17	11 7/8	15	17	4 1/8	10	8	4 3/8
5	14	1/2	-	42 1/8	46 1/8	20 1/16	20 1/8	17	13 7/8	15	17	4 1/8	10	10	4 3/8
6	10	3/4	1	42 1/8	46 1/8	20 1/16	20 1/8	17	9 7/8	15	17	4 1/8	10	7	4 7/8
6	12	3/4	1	42 1/8	46 1/8	20 1/16	20 1/8	17	11 7/8	15	17	4 1/8	10	8	4 7/8
6	14	3/4	1	42 1/8	46 1/8	20 1/16	20 1/8	17	13 7/8	15	17	4 1/8	10	10	4 7/8
7	14	1	1	42 1/8	46 1/8	20 1/16	20 1/8	17	13 7/8	15	17	4 1/8	10	10	4 7/8
7	16	1	1	42 1/8	46 1/8	20 1/16	20 1/8	17	15 7/8	15	17	4 1/8	10	10 1/4	4 7/8