

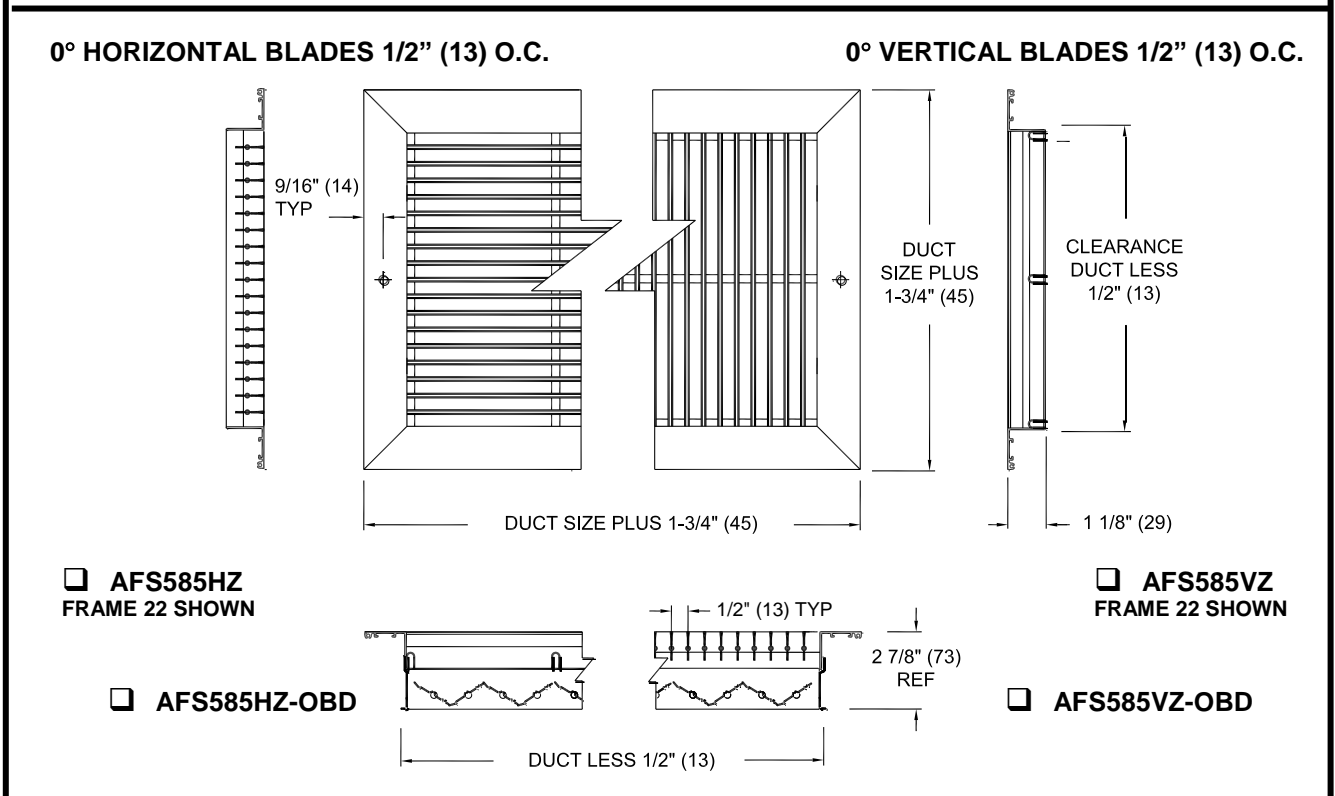
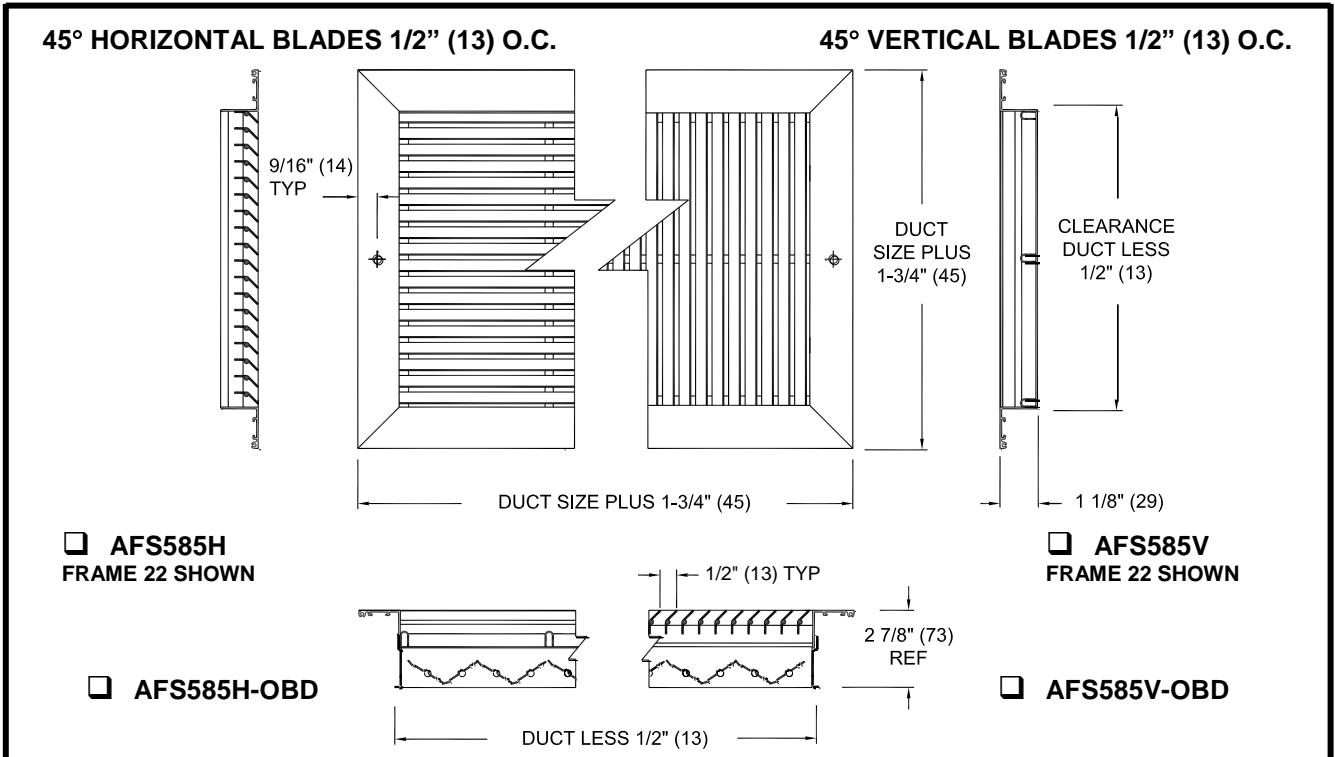
JOB NAME _____
 ARCHITECT _____
 ENGINEER _____
 CONTRACTOR _____
 LOCATION _____

SUBMITTAL SHEET
 Form Number GS0324.4 Effective Date 12/17
 Replaces FORM GS324.3



AFS585H, V, HZ, or VZ SERIES
Single Row Fixed Extruded Blades

Architectural Return Grille
Page 1 of 2

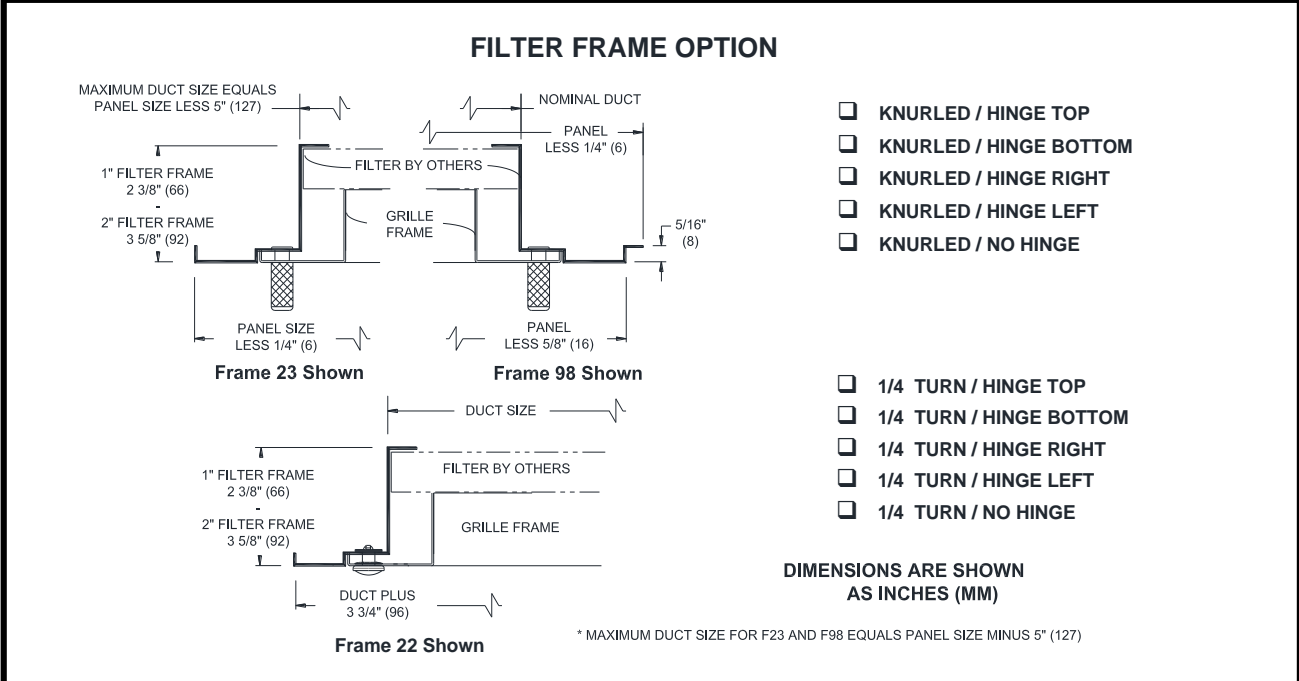
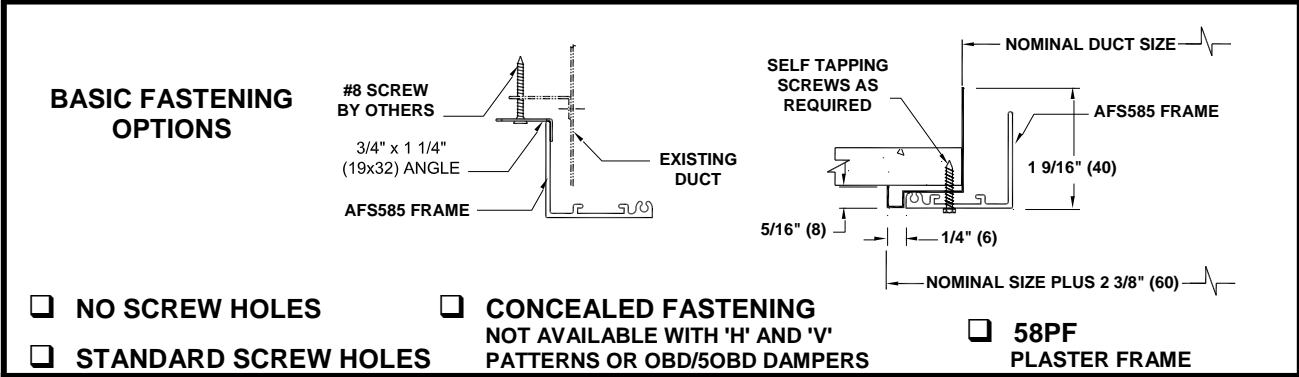
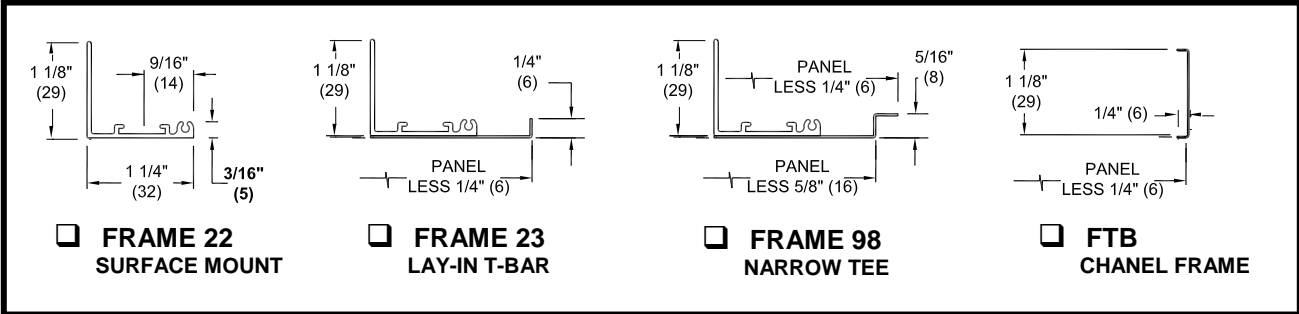


JOB NAME _____
 ARCHITECT _____
 ENGINEER _____
 CONTRACTOR _____
 LOCATION _____

SUBMITTAL SHEET
 Form Number GS0324.4 Effective Date 12/17
 Replaces FORM GS0324.3



AFS585H, V, HZ, or VZ SERIES
Options and Accessories



NOTES :
 AFS585H / V / HZ / VZ UNITS ARE ALUMINUM CONSTRUCTION.
 SUPPORT MULLIONS 12" (305) MAX SPACING.

OPTIONAL ACCESSORIES :

OBD (22 GA) STEEL OPPOSED BLADE DAMPER

5OBD ALUMINUM OPPOSED BLADE DAMPER

58PF PLASTER FRAME

1" FILTER FRAME

2" FILTER FRAME

IS INSECT SCREEN

DS DEBRIS SCREEN