

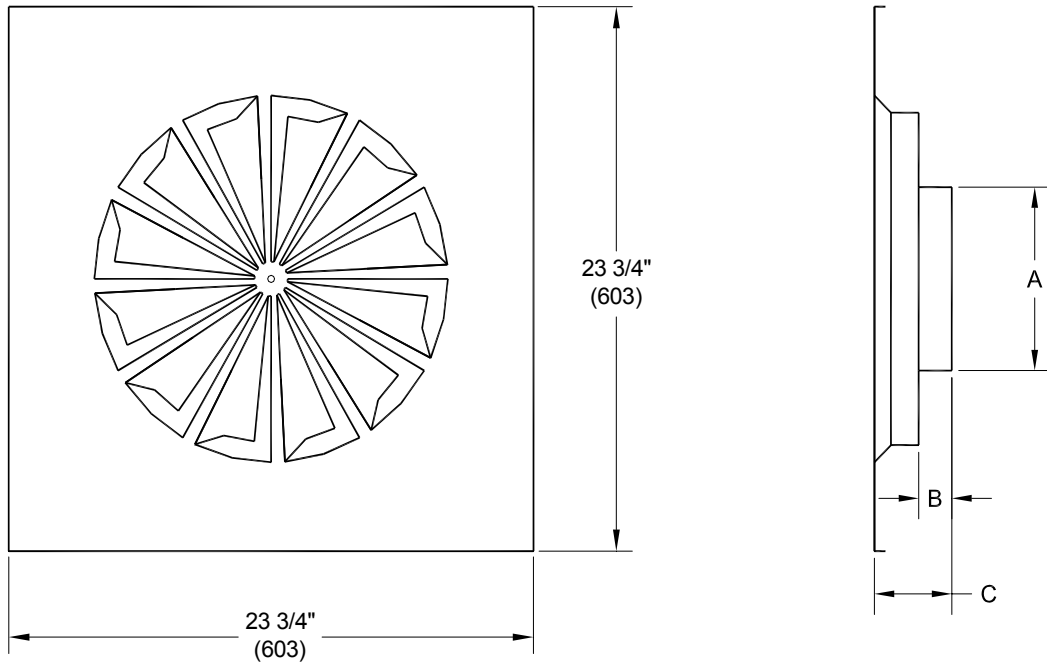
JOB NAME _____
 ARCHITECT _____
 ENGINEER _____
 CONTRACTOR _____
 LOCATION _____

SUBMITTAL SHEET
 Form Number DS0077 Effective Date 11/05
 Replaces NEW



KSD

ARCHITECTURAL CEILING SWIRL DIFFUSER, 24x24, ROUND NECK



FACE VIEW

TYPICAL CROSS SECTION

NOMINAL NECK SIZE	A	B	C
6" (152)	5 7/8" (149)	1 1/2" (38)	3 1/2" (89)
8" (203)	7 7/8" (200)	1 1/2" (38)	3 1/2" (89)
10" (254)	9 7/8" (251)	1 1/2" (38)	3 1/2" (89)
12" (305)	11 7/8" (302)	1 1/4" (32)	3 1/4" (83)
14" (356)	13 7/8" (352)	1 1/2" (38)	3 1/2" (89)

NOTE: DIMENSIONS ROUNDED TO THE NEAREST 1/16" (2)

STANDARD FEATURES:

1. Swirl Pattern Design.
2. Panel Design is for Lay-In Applications.
3. Heavy Gauge Aluminum Face.
4. Aluminum Back Pan with Flex Duct Mounting Collar.
5. Standard Finish is 44 White.
6. Other finishes are available.

DIMENSIONS ARE GIVEN AS INCHES (MM)