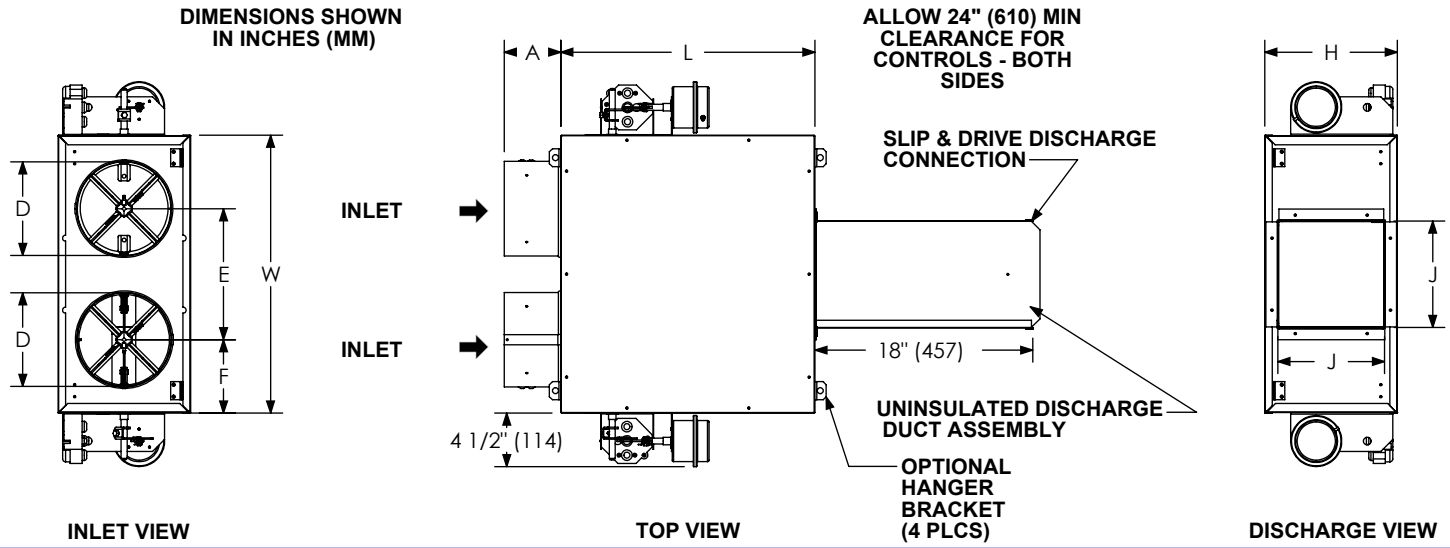


LMHDT BASE UNIT
Pneumatic Controls With Optional Unit Accessories
SUBMITTAL SHEET

STANDARD FEATURES:

- 22 GA. Galvanized Steel Construction
- Dual Control Enclosure for Electronic Components
- 1/2" Thick Dual Density Fiberglass Insulation Meeting NFPA 90A and UL 181 Safety Requirements
- Removable Bottom Access Panel Allows Easy Access to Primary Air Damper
- Four Quadrant Averaging Cross Flow Sensor
- Variety of Direct Digital or Analog Control Packages Available
- Discharge Duct Assembly.

OPTIONAL FEATURES:

- 20 GA. Galvanized Steel Construction
- Hanger Brackets (Not Available with Steriwall, or Perf Wall Liner Option)
- Unequal Inlets (See Chart for Available Inlet Options)
- No Discharge Duct Assembly
- Linear Averaging Sensor

LINERS

- 1" Dual Density Fiberglass
- 1/2" Cellular
- 1/2" Foil Encapsulated Fiberglass
- 1/2" Steriwall
- Perf Wall (Standard Fiberglass 1/2")
- Perf Wall (Foil Faced 1/2")
- No Liner
- Steriliner
- 1" Cellular
- 1" Foil Encapsulated
- 1" Steriwall
- Perf Wall (Standard Fiberglass 1")
- Perf Wall (Foil Faced 1")

COLD INLET	AVAILABLE HOT INLETS																				
	4	5	6	7	8	9	10	12	14	16	4	5	6	7	8	9	10	12	14	16	
4	•																				
5	•	•																			
6	•	•	•																		
7	•	•	•	•																	
8	•	•	•	•	•																
9	•	•	•	•	•	•															
10	•	•	•	•	•	•	•														
12					•	•	•	•													
14					•	•	•	•	•												
16					•	•	•	•	•	•											

Note: • indicates sizes offered

SENSOR LOCATIONS

- Hot Inlet and Discharge*
 - Cold Inlet and Discharge*
 - Cold Inlet and Hot Inlet
 - Cold Inlet, Hot Inlet, and Discharge*
- * Four Quadrant Sensor Used for Discharge Sensing Option

LMHDT BASE UNIT									
INLET SIZE	TOTAL MAX CFM (L/s)	L	W	H	A	D	E	F	DISCHARGE
									J
4	460 (218)	17 15/16 (456)	19 3/16 (487)	8 7/8 (225)	6 7/8 (175)*	3 7/8 (98)	8 15/16 (226)	5 (127)	6 7/8 (175)
5	720 (340)	17 15/16 (456)	19 3/16 (487)	8 7/8 (225)	6 7/8 (175)*	4 7/8 (124)	8 15/16 (226)	5 (127)	6 7/8 (175)
6	930 (438)	17 15/16 (456)	19 3/16 (487)	8 7/8 (225)	4 7/8 (123)	5 7/8 (149)	8 15/16 (226)	5 (127)	6 7/8 (175)
7	1400 (660)	21 3/16 (538)	23 3/16 (589)	10 7/8 (276)	6 7/8 (175)*	6 7/8 (200)	10 15/16 (277)	6 (152)	8 7/8 (225)
8	1705 (804)	21 3/16 (538)	23 3/16 (589)	10 7/8 (276)	4 7/8 (123)	7 7/8 (200)	10 15/16 (277)	6 (152)	8 7/8 (225)
9	1795 (847)	30 5/8 (778)	27 3/16 (690)	13 7/8 (352)	4 7/8 (123)	8 7/8 (251)	12 15/16 (328)	7 (178)	9 7/8 (251)
10	1795 (847)	30 5/8 (778)	27 3/16 (690)	13 7/8 (352)	4 7/8 (123)	9 7/8 (251)	12 15/16 (328)	7 (178)	9 7/8 (251)
12	2840 (1339)	33 7/8 (860)	33 3/16 (843)	15 7/8 (403)	6 7/8 (175)	11 7/8 (302)	17 (432)	8 (203)	11 7/8 (302)
14	3535 (1667)	37 7/16 (951)	37 3/16 (944)	18 1/4 (464)	6 7/8 (175)	13 7/8 (352)	19 (483)	9 (229)	13 7/8 (352)
16	5235 (2470)	40 15/16 (1040)	41 3/16 (1046)	18 1/4 (464)	6 7/8 (175)	15 7/8 (403)	21 (533)	10 (254)	15 7/8 (403)

* Sizes 4, 5, and 7 include a 2" long inlet adaptor.