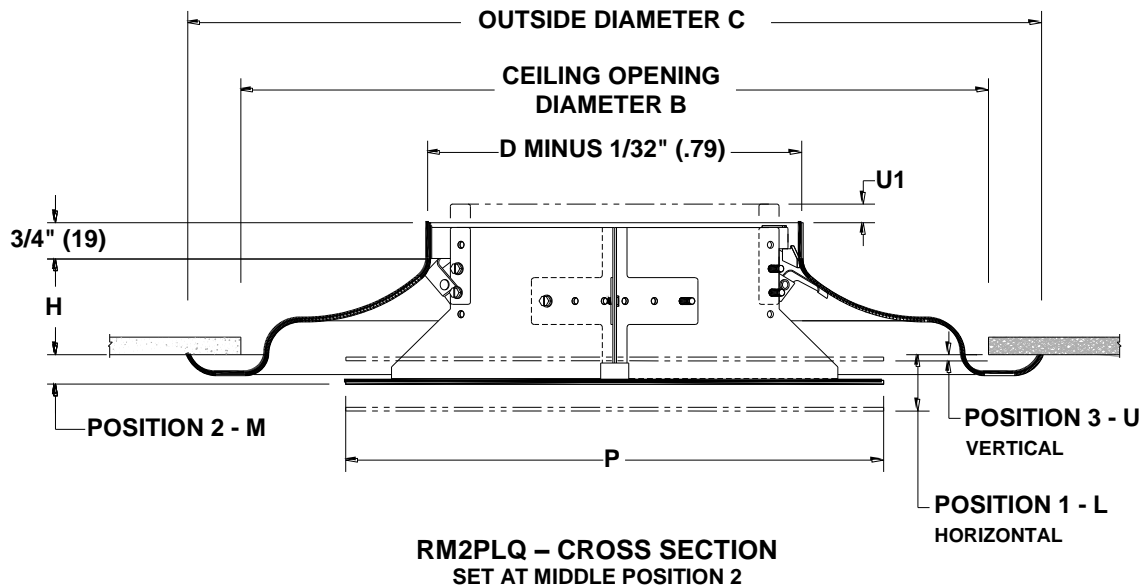


JOB NAME _____
 ARCHITECT _____
 ENGINEER _____
 CONTRACTOR _____
 LOCATION _____

SUBMITTAL SHEET
 Form Number GS3107.3 Effective Date 4/18
 Replaces Form GS3107.2



RM2PLQ ROUND CEILING DIFFUSER with CENTER PLAQUE
THREE-POSITION HORIZONTAL to VERTICAL PATTERN



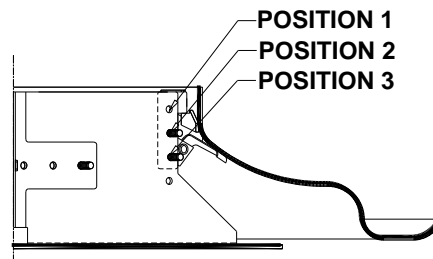
NOM. DUCT D	B	C	H	P	U	U1	M	L
6	12 (305)	13-1/2 (343)	1-5/8 (41)	6 (9)	1/16 (2)	1/2 (13)	5/8 (16)	1-3/16 (30)
8	16 (406)	18 (457)	2-1/8 (54)	12 (305)	3/16 (5)	1/2 (13)	3/4 (19)	1-5/16 (33)
10	20 (508)	22-1/2 (572)	2-5/8 (67)	15 (381)	- 0 -	1/2 (13)	9/16 (14)	1-1/8 (29)
12	24 (635)	27 (686)	3-1/4 (83)	18 (457)	1/8 (3)	11/16 (17)	5/8 (16)	1-3/8 (35)
14	28 (711)	31-1/2 (800)	3-3/4 (95)	21 (533)	1/16 (2)	13/16 (21)	13/16(21)	1-9/16 (40)

NOTES:

1. 360° DISCHARGE PATTERN.
2. THREE POSITION FIXED CORE.
3. CONSTRUCTION IS STEEL WITH ALUMINUM PLAQUE.
4. SAFETY CABLE IS STANDARD.
5. UNIT CORE SHIPS AT POSITION 2.
6. STANDARD FINISH IS 44 WHITE.
7. REQUIRES HARD DUCT OR FRAMING TO MOUNT.

ACCESSORIES:

- RSG15 ROUND STRAIGHTENING GRID
- DAMPER
 - PRD10
 - PR12
 - PRD100



3-POSITION ADJUSTMENT
 PLAQUE SET AT POSITION 2

DIMENSIONS ARE GIVEN AS
INCHES (MM)