

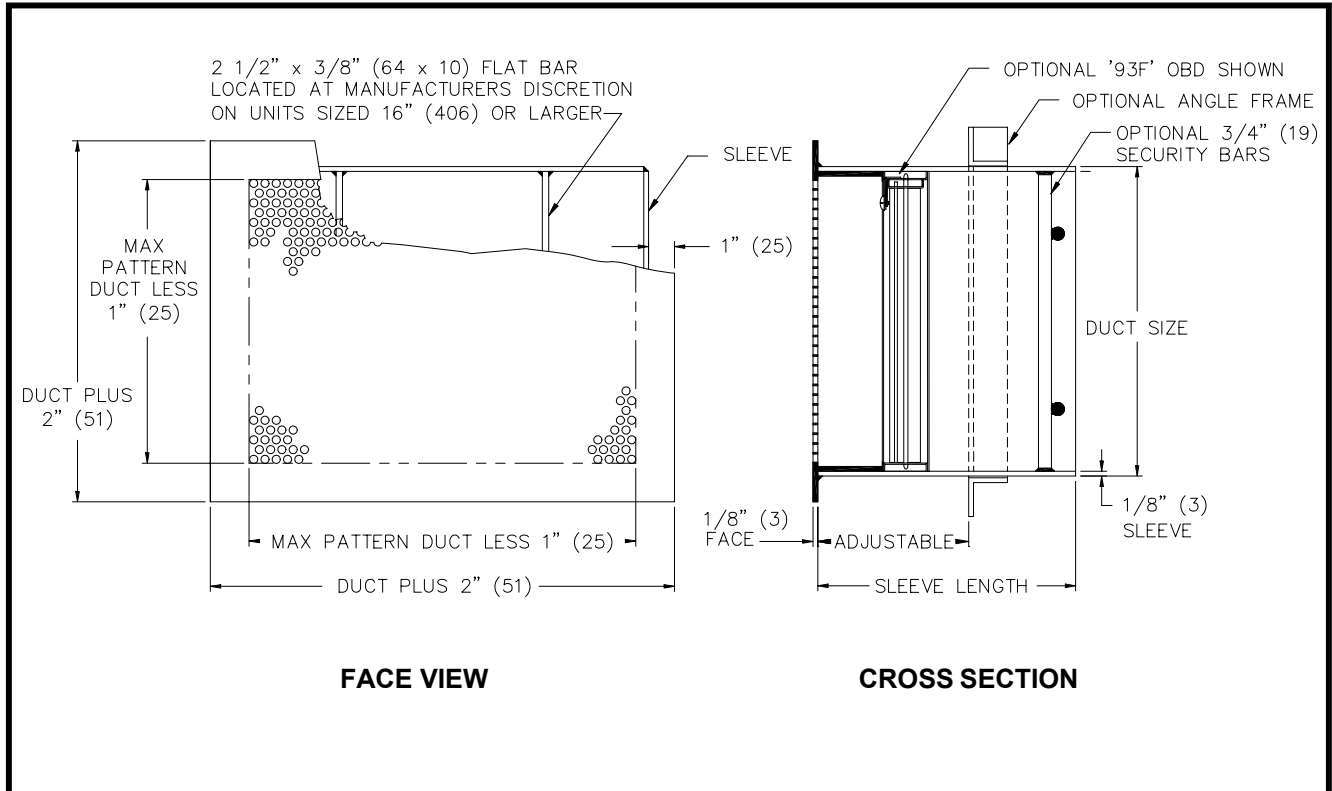
JOB NAME _____
 ARCHITECT _____
 ENGINEER _____
 CONTRACTOR _____
 LOCATION _____

SUBMITTAL SHEET
 Form Number GSS91310 Effective Date 4/04
 NEW



91310 SECURITY SERIES
STAINLESS STEEL SUPPLY or RETURN GRILLE

ROUND PERFORATED PATTERN



STANDARD FEATURES :

OPTIONS :

1. **FACE PLATE :** 1/8" (3) 304 STAINLESS STEEL WITH 5/16" (8) ROUND HOLES ON 7/16" (11) STAGGERED CENTERS.
2. **SLEEVE :** 1/8" (3) CONTINUOUSLY WELDED SEAMS .
3. ALL WELDED CONSTRUCTION.
4. **FINISH :** #3 SATIN POLISHED FACE.
5. **SIZES :** AVAILABLE IN 2" (51) INCREMENTS ONLY.*

DUCT MIN 6" (152) x 4" (102)
 MAX 30" (762) x 30" (762)

*ONLY ODD SIZED UNIT OFFERED IS 9" x 9" (229 x 229)

6. **SLEEVE LENGTH :** AVAILABLE IN THE FOLLOWING LENGTHS ONLY.

6" (152) 8" (203) 10" (254)
 12" (305) 18" (457)

**DIMENSIONS ARE GIVEN AS
 INCHES (MM).**

- 93F FRONT OPERATED OPPOSED BLADE DAMPER IS WELDED IN PLACE.**
- 93R REAR OPERATED OPPOSED BLADE DAMPER IS WELDED IN PLACE.**
- SECURITY BAR GRID IS TACK WELDED AT EACH INTERSECTION AND WELDED COMPLETELY AROUND AT THE SLEEVE JOINT. 3/4" (19) DIA BARS, 6" (152) MAXIMUM SPACING.**
- ANGLE FRAME, STAINLESS STEEL 1 1/2" x 1 1/2" x 3/16" (38x38x5) ANGLES WELDED AT CORNERS, SHIPPED LOOSE FOR FIELD INSTALLATION.**
- LOOSE ANGLE, (2) STAINLESS STEEL 1 1/2" x 1 1/2" x 3/16" (38x38x5) x LONG DUCT DIMENSION PLUS 2" (51), SHIPPED LOOSE FOR FIELD INSTALLATION. (DETAIL NOT SHOWN)**
- ANCHOR BARS 3/4" (19) DIA x 3" (76) LONG ARE WELDED AROUND AT THE SLEEVE JOINT. (DETAIL NOT SHOWN)**