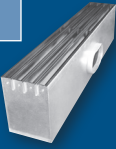




PTBS

This plenum slot supply diffuser features an adjustable blade.
Slots: 1 to 4
Slot Widths: ¾", 1", 1½"



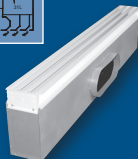
PTBA

This plenum slot supply diffuser features 'Ice Tong' blades.
Slots: 1 to 4
Slot Widths: ¾", 1"



PTBT

This plenum slot supply diffuser features fixed, curved blades.
Slots: 1 to 4*
** 1 to 4 slots available with 1-way deflection, 2 to 4 slots available with 2-way deflection.*



PTBSS, PTBSSF, & PFTBS (FR)

These plenum slot supply diffusers feature a fixed curved blade. Available with fire damper (PFTBS) and factory installed blades (PTBSSF).
Slots: 1 or 2
Slot Widths: ¾", 1", 1½"
***¾" Slot width only available on model PFTBS.*



PTBSC, PTBSRC

The plenum slot supply (PTBSC) diffuser features a fixed horizontal pattern controller to provide 1-way airflow; also available with a return slot (PTBSRC).



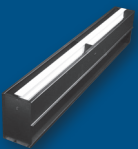
PTBSCDB, PTBSRCDB

The plenum slot supply (PTBSCDB) diffuser features a center downblow and a fixed horizontal pattern controller to provide 1-way airflow; also available with a return slot (PTBSRCDB).



PTBR/PFTBR (FR)

These plenum slot return diffusers are available with a fire damper (PFTBR) or without (PTBR).



PTBS

Introduction & Dimensional Information F1-3
 Accessories..... F1-5
 Reference Charts..... F1-7
 Performance Data..... F1-9
 Engineering Specification F1-27

PTBA

Introduction & Dimensional Information F1-28
 Accessories..... F1-30
 Reference Charts..... F1-31
 Performance Data..... F1-33
 Engineering Specification F1-41

PTBT

Introduction & Dimensional Information F1-42
 Pattern Designations & Plaster Frame..... F1-43
 Inlet Collars F1-44
 Reference Charts..... F1-45
 Performance Data..... F1-47
 Engineering Specification F1-51

PTBSS, PTBSSF & PFTBS (Fire Rated)

Introduction & Dimensional Information F1-52
 Accessories..... F1-54
 Reference Charts..... F1-56
 Performance Data..... F1-58
 Engineering Specifications..... F1-66

PTBSC, PTBSRC, PTBSCDB, PTBSRCDB

Introduction F1-68
 Dimensional Information F1-69
 Reference Charts..... F1-71
 Performance Data..... F1-73
 Engineering Specifications..... F1-78

PTBR & PFTBR (Fire Rated)

Introduction & Dimensional Information F1-80
 Accessories..... F1-81
 Reference Charts..... F1-82
 Performance Data..... F1-83
 Engineering Specifications..... F1-87

Introduction: PTBS

The PTBS series plenum slot diffuser features a unique, gasketed aluminum blade that rotates for easy adjustment from horizontal flow to vertical flow. The PTBS blades can be locked into a discharge position by tightening the blade screws at each end of the diffuser to provide consistent performance after system balance. The plenum is an integral part of the diffuser and has a drawn inlet collar to prevent plenum air leakage and simplify installation of the diffuser. The fully adjustable discharge air pattern from horizontal to vertical and any point in between makes Krueger's PTBS series diffuser an ideal choice for perimeter heating and VAV cooling applications.

MODEL

PTBS - Plenum Slot Diffuser, Gasketed Aluminum Blade, Steel Plenum Construction

FEATURES

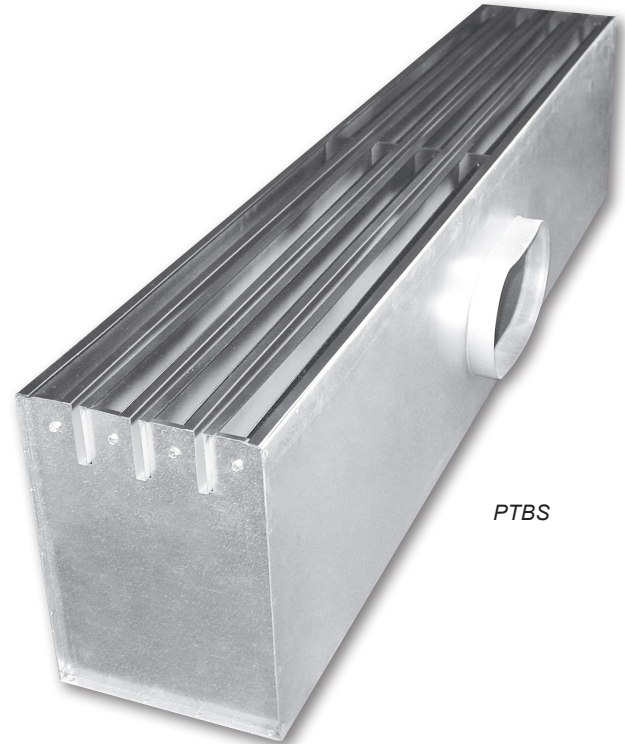
- Slots: 1, 2, 3, or 4.
- Slot Widths: 3/4", 1", and 1 1/2".
- Lengths: 24", 36", 48", and 60".
- Double metal thickness at slot face for rigidity and straightness.

ACCESSORIES

- Quadrant Damper
- Insulation
- Mounting Tabs
- Plaster Frame

FINISHES

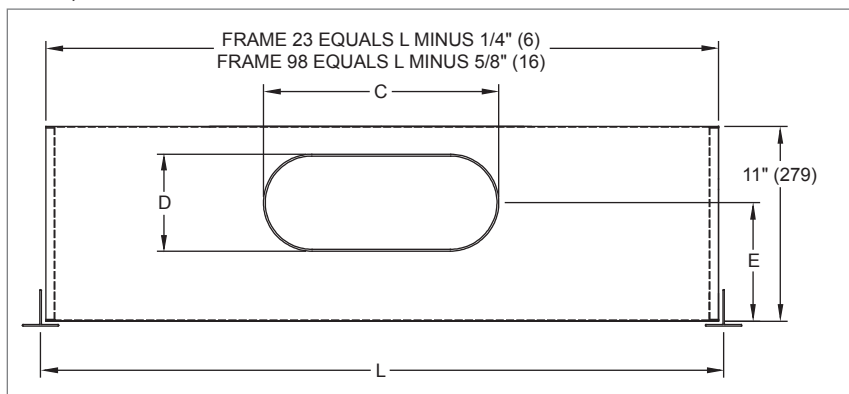
- Standard finish is black face with optional white tees.
- Optional finishes available.



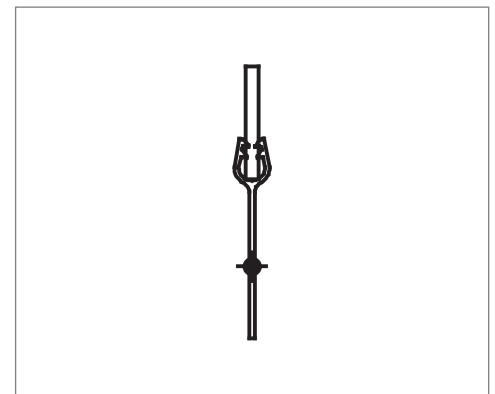
PLENUM SLOT DIFFUSERS

PTBS Dimensional Information

PTBS, INLET SIDE VIEW



PTBS, PATTERN CONTROLLER



PTBS, AVAILABLE SIZES

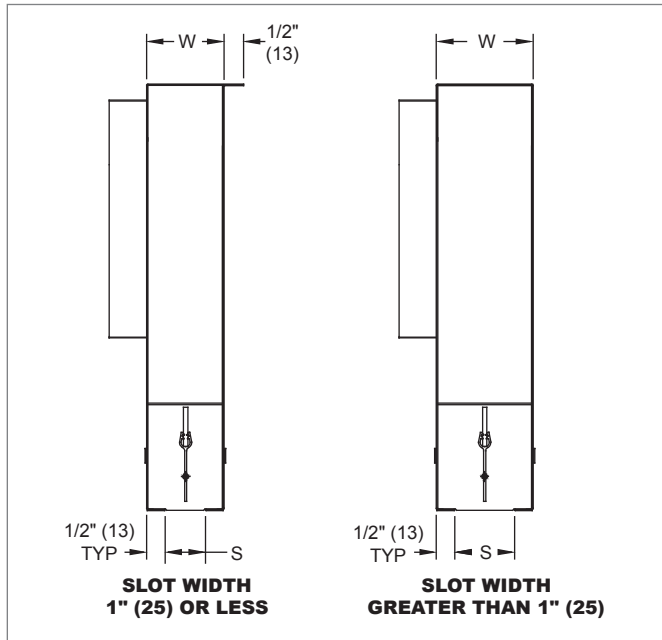
| Inlet Size | C | D | E | L |
|----------------|----------------|--------------|---------------|-------------------------|
| 5" (127) Round | 4 7/8" (124) | 4 7/8" (124) | 6 3/16" (157) | 24" (610) - 36" (914) |
| 6" (152) Oval | 6 1/4" (159) | 5 1/4" (133) | 6 3/8" (162) | 24" (610) - 60" (1524) |
| 8" (203) Oval | 9 3/8" (238) | 5 1/4" (133) | 6 3/8" (162) | 24" (610) - 60" (1524) |
| 10" (254) Oval | 12 1/2" (318) | 5 1/4" (133) | 6 3/8" (162) | 24" (610) - 60" (1524) |
| 12" (305) Oval | 15 9/16" (395) | 5 1/4" (133) | 6 3/8" (162) | 48" (1219) - 60" (1524) |

NOTE: Dimensions in parentheses are mm.

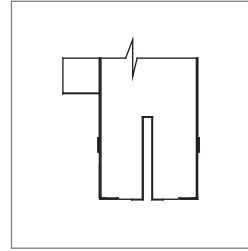
PTBS Dimensional Information

PLENUM SLOT DIFFUSERS

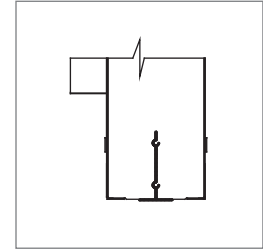
PTBS, 1-SLOT, CROSS SECTION



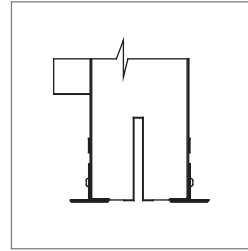
**FRAME 23A,
T BY OTHERS**



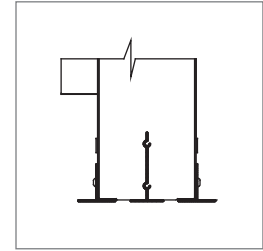
**FRAME 23B,
CENTER T ONLY**



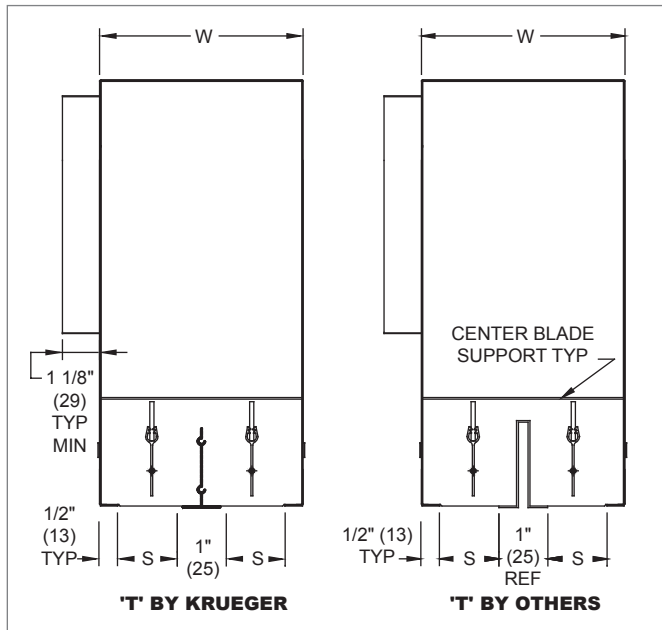
**FRAME 23C,
T ON BOTH ENDS**



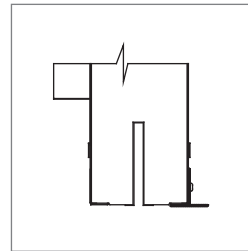
**FRAME 23D,
CENTER & OUTER T**



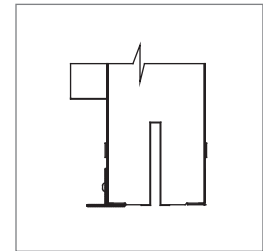
PTBS, 2-, 3-, OR 4-SLOTS, CROSS SECTION



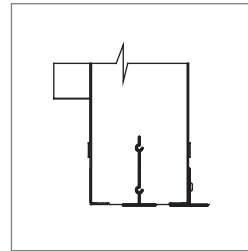
**FRAME 23EL,
T OPPOSITE OF INLET**



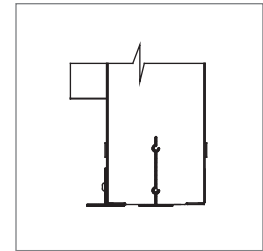
**FRAME 23ER,
T ON INLET SIDE**



**FRAME 23GL,
T ON CENTER &
OPPOSITE INLET**



**FRAME 23GR,
T ON CENTER &
INLET SIDE**



PTBS, AVAILABLE SIZES

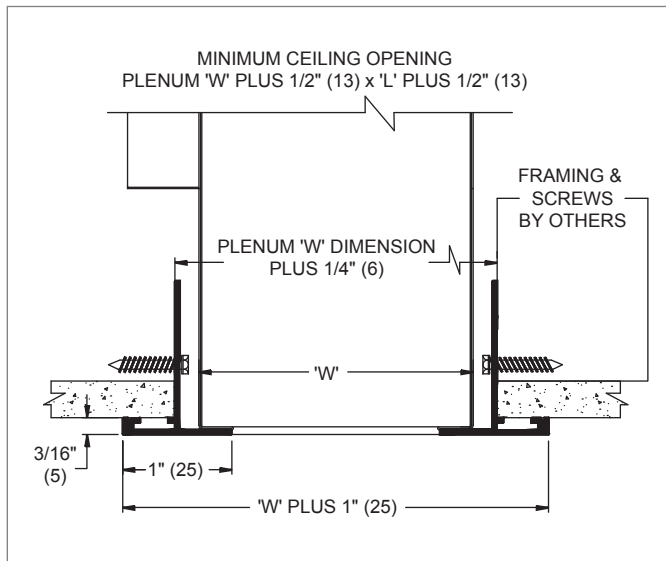
| S | W | | | |
|-------------|-------------|-------------|--------------|-----------|
| | 1 Slot | 2 Slot | 3 Slot | 4 Slot |
| 3/4" (19) | 1 3/4" (44) | 3 1/2" (89) | 5 1/4" (133) | 7" (178) |
| 1" (25) | 2" (51) | 4" (102) | 6" (152) | 8" (203) |
| 1 1/2" (38) | 2 1/2" (64) | 5" (127) | 7 1/2" (191) | 10" (254) |

NOTE: Dimensions in parentheses are mm.

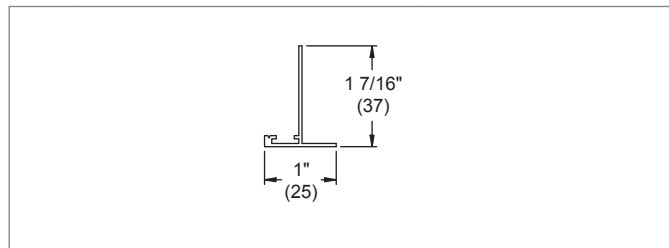
PTBS

PTBS Accessories for Frame 23 Lay-In T-Bar

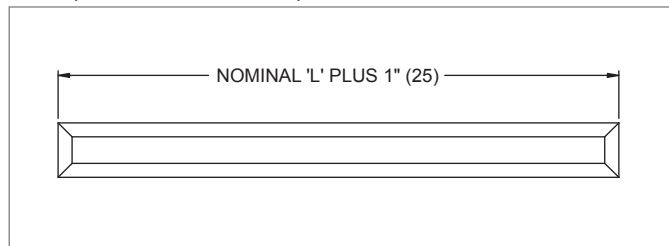
PTBS, PLASTER FRAME ASSEMBLY



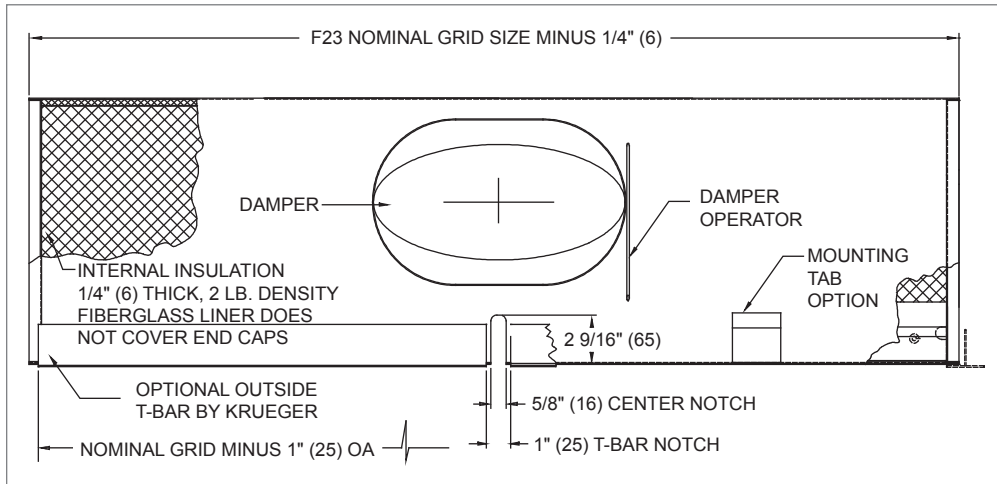
PTBS, PLASTER FRAME ADAPTER, CROSS SECTION



PTBS, PLASTER FRAME, FACE VIEW

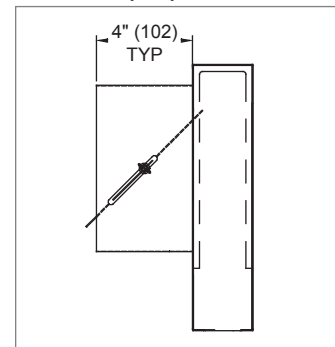


PTBS, CENTER NOTCH DETAIL (CN)

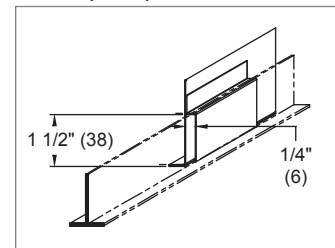


NOTES: Dimensions in parentheses are mm.
 MTT1 uses mounting tabs opposite of inlet. MTT2 uses mounting tabs on both sides.
 CN = Center Notch; CNT1 = CN+MTT1; CNT2 = CN+MTT2

PTBS, QUADRANT DAMPER (QD)



PTBS, MOUNTING TABS (MTT)



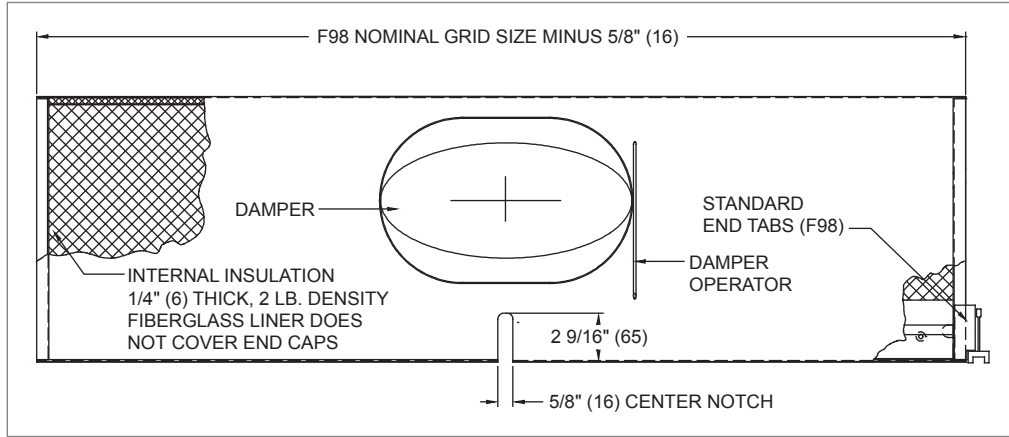
PLENUM SLOT DIFFUSERS

PTBS

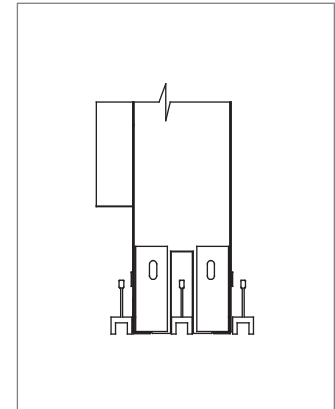
PTBS | Gasketed Aluminum Blade

PTBS Accessories for Frame 98 Narrow-T

PTBS, CENTER NOTCH, INLET SIDE VIEW (CN)



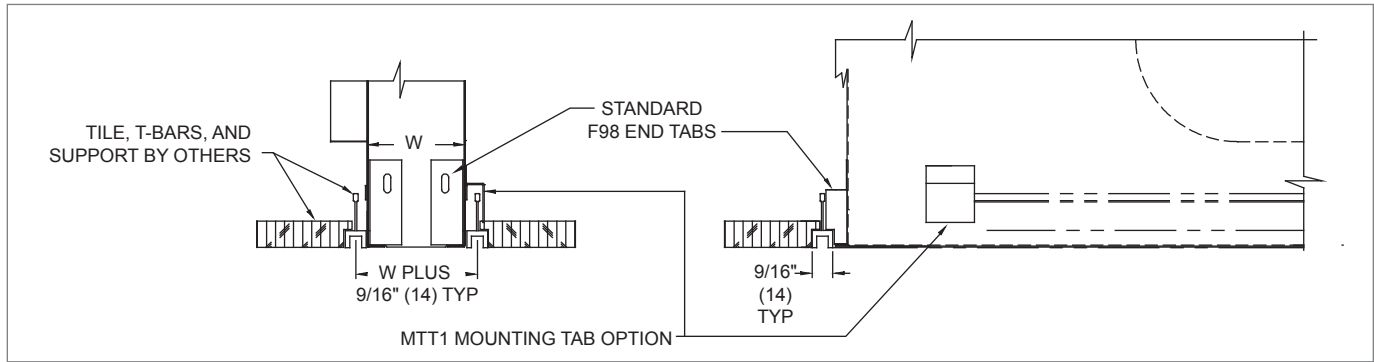
PTBS, FRAME 98, NARROW-T



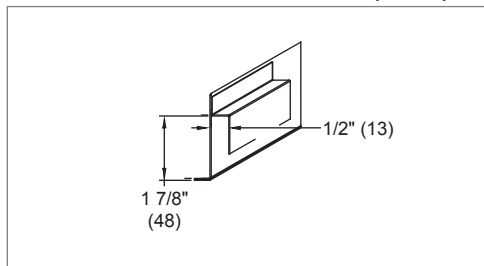
NOTE: All T's by others.

PLENUM SLOT DIFFUSERS

PTBS, END & SIDE MOUNTING TABS (MTT1)



PTBS, MOUNTING TAB DETAIL (MTT1)

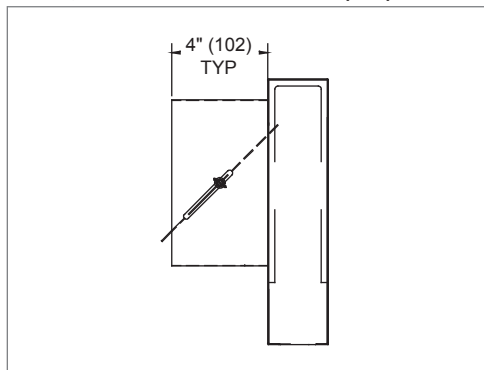


PTBS, AVAILABLE SIZES

| S | W | |
|-------------|-------------|-------------|
| | 1 Slot | 2 Slot |
| 3/4" (19) | 1 3/4" (44) | 3 1/2" (89) |
| 1" (25) | 2" (51) | 4" (102) |
| 1 1/2" (38) | 2 1/2" (64) | 5" (127) |

NOTES: Dimensions in parentheses are mm.
Tees shown for detail only. All Tees by others.
MTT1 uses mounting tabs opposite of inlet.
CN = Center Notch; CNT1 = CN+MTT1

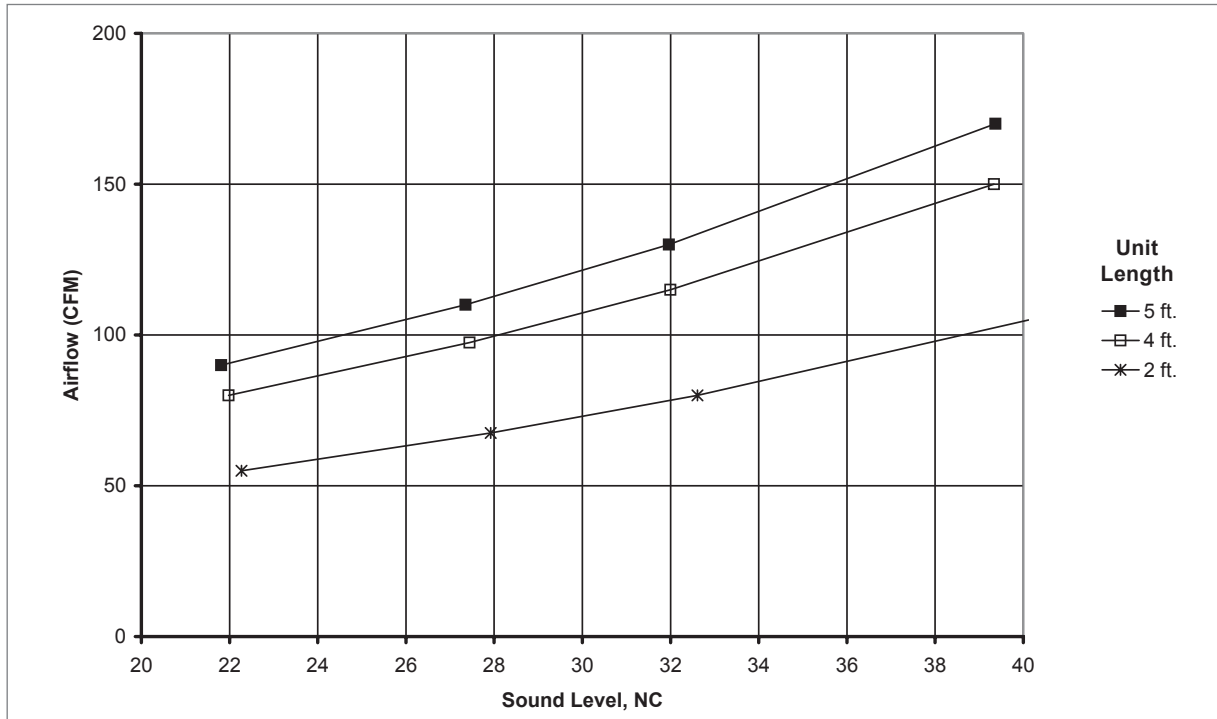
PTBS, QUADRANT DAMPER (QD)



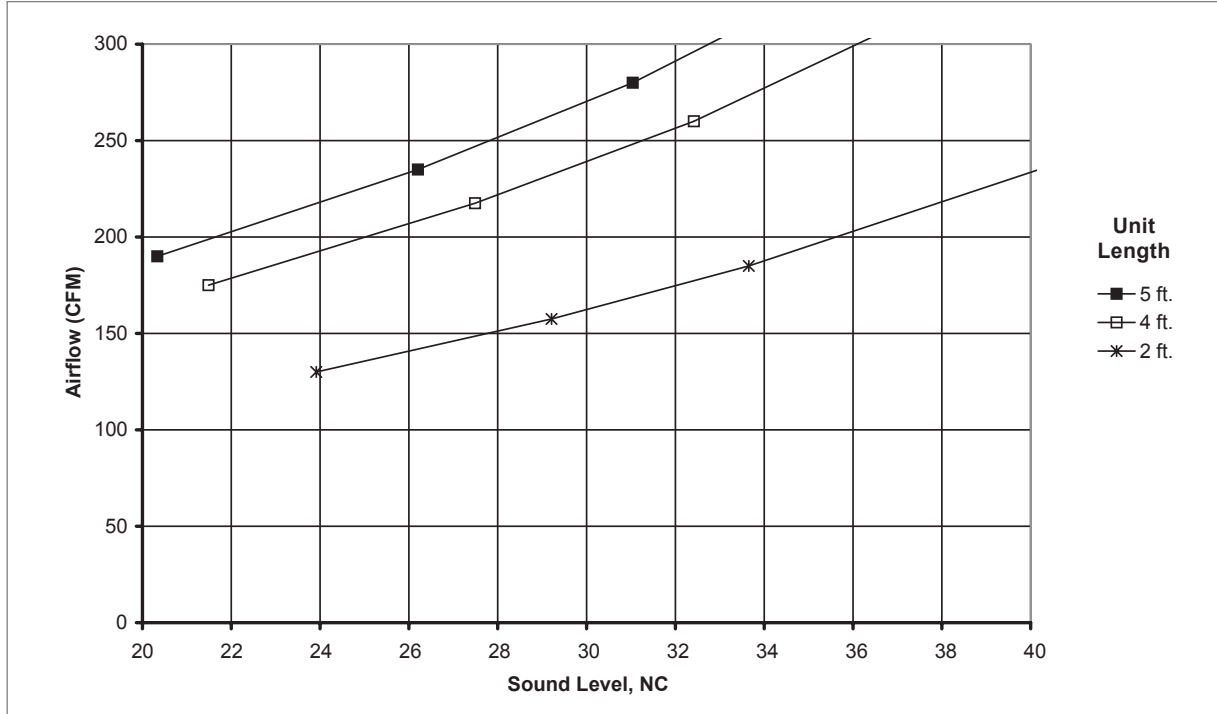
PTBS

PTBS Reference Charts: Horizontal Throw

AIRFLOW VS. NC LEVEL: PTBS, 3/4" SLOT WIDTH, 1-SLOT, 8" OVAL INLET, 1-WAY (NO DAMPER)

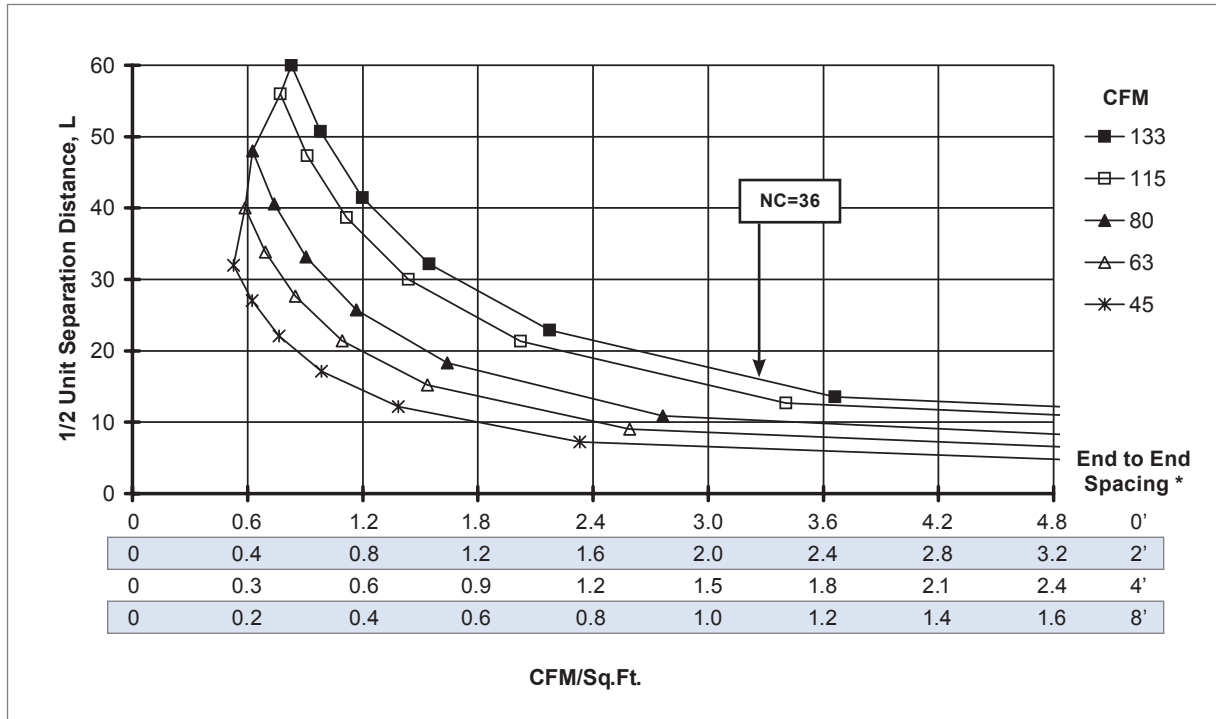


AIRFLOW VS. NC LEVEL: PTBS, 1" SLOT WIDTH, 2-SLOT, 8" OVAL INLET, 2-WAY (NO DAMPER)

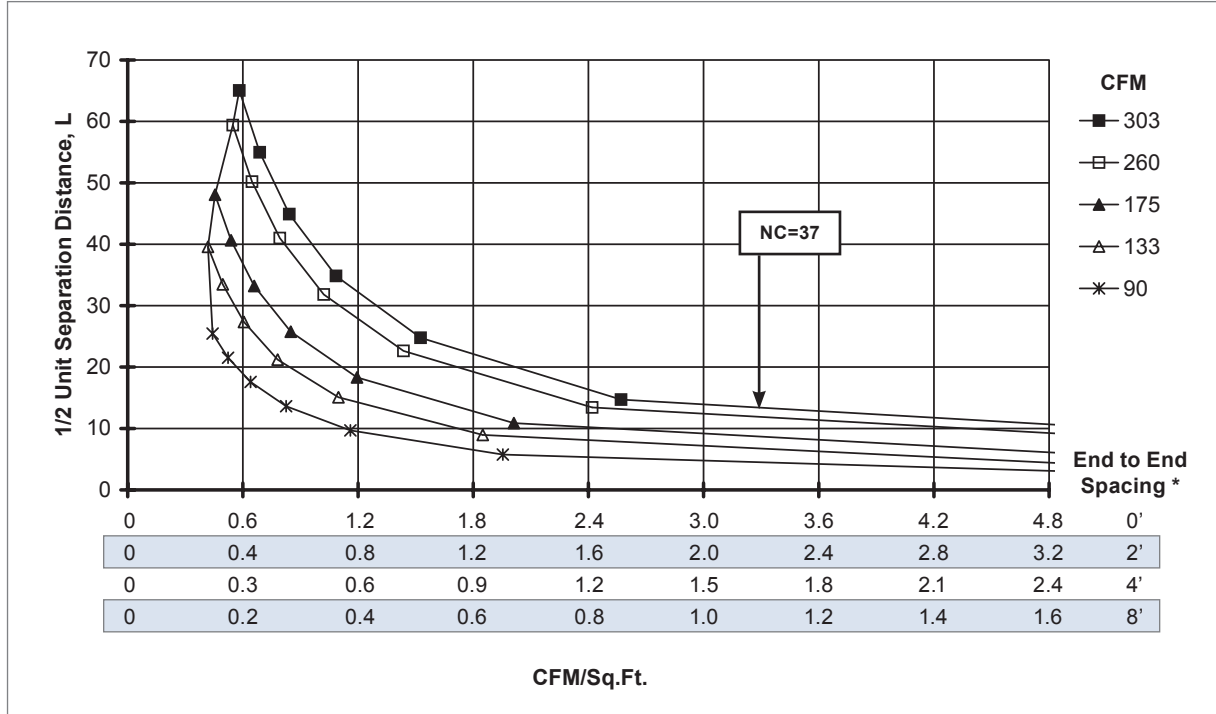


PTBS Reference Charts: Horizontal Throw, 4 ft. Length

DIFFUSER SPACING FOR 80% ADPI: PTBS, 3/4" SLOT WIDTH, 1-SLOT, 8" OVAL INLET, 1-WAY (NO DAMPER)



DIFFUSER SPACING FOR 80% ADPI: PTBS, 1" SLOT WIDTH, 2-SLOT, 8" OVAL INLET, 2-WAY (NO DAMPER)



NOTES: Charts are at 20 BTUH/ft² loads.

See the Engineering section of this catalog for instructions on how to read these charts and additional ADPI information.

* Separation distance in feet between active supply sections discharging in similar directions.

PLENUM SLOT DIFFUSERS

PTBS

© KRUEGER 2012

PTBS Performance Data: Horizontal Throw

IP/METRIC DATA: PTBS, 3/4" SLOT WIDTH, 1-SLOT, 1-WAY (NO DAMPER)

| | Linear Length | IP Data | | | | NC | Metric Data | | | | Octave Band, dB | | | | | | |
|-----------------------------------|-----------------------------------|----------|----------|--------------|--------------|--------------|-------------|----------|-----------------|------------------|-----------------|----|----|----|----|----|-----|
| | | Air Flow | Pressure | | 1-Way Throw | | Air Flow | Pressure | | 1-Way Throw | 2 | 3 | 4 | 5 | 6 | 7 | |
| | | | CFM | "WG | | | | "WG | ft | | | | | | | | L/s |
| 3/4" Slot Width 6" Oval Inlet | 2' | 25 | 0.020 | 0.021 | 3 - 7 - 14 | - | 12 | 5.0 | 5.2 | 1.0 - 2.2 - 4.3 | 28 | 37 | 34 | 19 | - | - | |
| | | 45 | 0.064 | 0.068 | 9 - 13 - 23 | 23 | 21 | 16.0 | 16.9 | 2.6 - 3.9 - 6.9 | 34 | 45 | 43 | 33 | 28 | - | |
| | | 55 | 0.096 | 0.102 | 10 - 16 - 25 | 28 | 26 | 24.0 | 25.3 | 3.2 - 4.8 - 7.7 | 36 | 47 | 46 | 38 | 34 | 17 | |
| | | 65 | 0.134 | 0.142 | 12 - 19 - 27 | 33 | 31 | 33.5 | 35.4 | 3.8 - 5.6 - 8.3 | 38 | 49 | 49 | 43 | 39 | 23 | |
| | 85 | 0.230 | 0.243 | 16 - 22 - 31 | 40 | 40 | 57.3 | 60.5 | 4.9 - 6.7 - 9.5 | 41 | 53 | 53 | 49 | 47 | 32 | | |
| | 4' | 30 | 0.013 | 0.014 | 2 - 5 - 10 | - | 14 | 3.2 | 3.6 | 0.7 - 1.5 - 3.1 | 34 | 41 | 31 | 13 | - | - | |
| | | 60 | 0.051 | 0.057 | 7 - 10 - 14 | 20 | 28 | 12.7 | 14.3 | 2.0 - 3.1 - 4.3 | 41 | 50 | 42 | 30 | 29 | 13 | |
| | | 75 | 0.079 | 0.090 | 8 - 11 - 16 | 26 | 35 | 19.8 | 22.3 | 2.6 - 3.4 - 4.8 | 43 | 53 | 45 | 35 | 35 | 21 | |
| | | 90 | 0.114 | 0.129 | 10 - 12 - 17 | 31 | 42 | 28.5 | 32.1 | 3.1 - 3.7 - 5.3 | 45 | 55 | 48 | 40 | 41 | 27 | |
| | 5' | 120 | 0.203 | 0.229 | 12 - 14 - 20 | 39 | 57 | 50.6 | 57.1 | 3.5 - 4.3 - 6.1 | 48 | 58 | 53 | 47 | 50 | 37 | |
| | | 40 | 0.019 | 0.022 | 3 - 6 - 12 | - | 19 | 4.7 | 5.5 | 0.9 - 1.8 - 3.5 | 38 | 45 | 33 | 16 | 14 | - | |
| | | 70 | 0.058 | 0.067 | 7 - 11 - 15 | 21 | 33 | 14.5 | 16.7 | 2.1 - 3.2 - 4.7 | 44 | 52 | 42 | 30 | 31 | 16 | |
| 85 | | 0.086 | 0.099 | 9 - 12 - 17 | 26 | 40 | 21.4 | 24.6 | 2.6 - 3.6 - 5.2 | 46 | 55 | 45 | 35 | 37 | 23 | | |
| 3/4" Slot Width 8" Oval Inlet | 2' | 100 | 0.119 | 0.137 | 10 - 13 - 18 | 31 | 47 | 29.7 | 34.1 | 3.0 - 4.0 - 5.6 | 48 | 57 | 48 | 39 | 42 | 29 | |
| | | 130 | 0.201 | 0.232 | 12 - 15 - 21 | 38 | 61 | 50.1 | 57.7 | 3.7 - 4.5 - 6.4 | 50 | 60 | 52 | 45 | 50 | 38 | |
| | | 30 | 0.028 | 0.029 | 5 - 9 - 17 | - | 14 | 7.1 | 7.2 | 1.4 - 2.6 - 5.2 | 23 | 33 | 33 | 19 | - | - | |
| | | 55 | 0.096 | 0.098 | 10 - 16 - 25 | 22 | 26 | 23.8 | 24.3 | 3.2 - 4.8 - 7.7 | 29 | 40 | 43 | 34 | 24 | - | |
| | 4' | 68 | 0.144 | 0.147 | 13 - 19 - 28 | 28 | 32 | 35.9 | 36.6 | 3.9 - 5.9 - 8.5 | 31 | 43 | 46 | 39 | 31 | 12 | |
| | | 80 | 0.202 | 0.207 | 15 - 21 - 30 | 33 | 38 | 50.4 | 51.5 | 4.6 - 6.5 - 9.2 | 33 | 45 | 49 | 43 | 36 | 18 | |
| | | 105 | 0.348 | 0.356 | 20 - 25 - 35 | 40 | 50 | 86.8 | 88.7 | 6.1 - 7.5 - 10.6 | 36 | 48 | 53 | 50 | 44 | 27 | |
| | | 45 | 0.018 | 0.020 | 5 - 8 - 12 | - | 21 | 4.5 | 4.9 | 1.5 - 2.3 - 3.7 | 31 | 39 | 34 | 18 | 11 | - | |
| | 5' | 80 | 0.058 | 0.062 | 9 - 12 - 16 | 22 | 38 | 14.3 | 15.4 | 2.7 - 3.5 - 5.0 | 37 | 46 | 43 | 33 | 28 | 11 | |
| | | 98 | 0.086 | 0.092 | 10 - 13 - 18 | 27 | 46 | 21.3 | 22.9 | 3.2 - 3.9 - 5.5 | 39 | 49 | 46 | 37 | 34 | 18 | |
| | | 115 | 0.119 | 0.128 | 11 - 14 - 20 | 32 | 54 | 29.6 | 31.9 | 3.5 - 4.2 - 6.0 | 40 | 51 | 48 | 42 | 39 | 24 | |
| | | 150 | 0.202 | 0.218 | 13 - 16 - 23 | 39 | 71 | 50.4 | 54.3 | 4.0 - 4.8 - 6.8 | 43 | 54 | 53 | 48 | 47 | 33 | |
| 3/4" Slot Width 10" Oval Inlet | 2' | 50 | 0.017 | 0.019 | 5 - 8 - 13 | - | 24 | 4.3 | 4.7 | 1.4 - 2.3 - 4.0 | 33 | 41 | 33 | 17 | 12 | - | |
| | | 90 | 0.056 | 0.062 | 9 - 12 - 17 | 22 | 42 | 14.0 | 15.4 | 2.7 - 3.7 - 5.3 | 39 | 48 | 43 | 32 | 29 | 13 | |
| | | 110 | 0.084 | 0.092 | 11 - 14 - 19 | 27 | 52 | 20.9 | 22.9 | 3.4 - 4.1 - 5.9 | 41 | 51 | 46 | 37 | 35 | 20 | |
| | | 130 | 0.117 | 0.129 | 12 - 15 - 21 | 32 | 61 | 29.1 | 32.0 | 3.7 - 4.5 - 6.4 | 43 | 53 | 48 | 41 | 40 | 26 | |
| | 4' | 170 | 0.200 | 0.220 | 14 - 17 - 24 | 39 | 80 | 49.8 | 54.8 | 4.2 - 5.2 - 7.3 | 46 | 56 | 53 | 48 | 49 | 35 | |
| | | 30 | 0.038 | 0.038 | 5 - 9 - 17 | - | 14 | 9.4 | 9.5 | 1.4 - 2.6 - 5.2 | 17 | 28 | 31 | 16 | - | - | |
| | | 55 | 0.127 | 0.128 | 10 - 16 - 25 | 18 | 26 | 31.6 | 31.9 | 3.2 - 4.8 - 7.7 | 24 | 35 | 40 | 31 | 18 | - | |
| | | 68 | 0.191 | 0.193 | 13 - 19 - 28 | 24 | 32 | 47.6 | 48.0 | 3.9 - 5.9 - 8.5 | 26 | 38 | 44 | 36 | 24 | - | |
| | 5' | 80 | 0.268 | 0.271 | 15 - 21 - 30 | 29 | 38 | 66.8 | 67.4 | 4.6 - 6.5 - 9.2 | 28 | 40 | 46 | 40 | 29 | - | |
| | | 105 | 0.462 | 0.466 | 20 - 25 - 35 | 36 | 50 | 115.1 | 116.1 | 6.1 - 7.5 - 10.6 | 30 | 43 | 51 | 47 | 38 | 19 | |
| | | 50 | 0.019 | 0.020 | 6 - 8 - 13 | - | 24 | 4.8 | 5.0 | 1.7 - 2.6 - 4.0 | 27 | 36 | 33 | 18 | - | - | |
| | | 95 | 0.069 | 0.073 | 10 - 13 - 18 | 23 | 45 | 17.3 | 18.1 | 3.1 - 3.9 - 5.4 | 33 | 44 | 43 | 34 | 27 | - | |
| 3/4" Slot Width 12" Oval Inlet | 4' | 118 | 0.106 | 0.111 | 12 - 14 - 20 | 29 | 55 | 26.4 | 27.6 | 3.5 - 4.3 - 6.1 | 35 | 46 | 46 | 39 | 34 | 17 | |
| | | 140 | 0.150 | 0.158 | 13 - 15 - 22 | 33 | 66 | 37.5 | 39.2 | 3.8 - 4.7 - 6.6 | 37 | 49 | 49 | 43 | 39 | 23 | |
| | | 185 | 0.263 | 0.275 | 14 - 18 - 25 | 41 | 87 | 65.4 | 68.5 | 4.4 - 5.4 - 7.6 | 40 | 52 | 54 | 50 | 47 | 32 | |
| | | 60 | 0.019 | 0.021 | 6 - 9 - 14 | - | 28 | 4.8 | 5.2 | 1.8 - 2.7 - 4.3 | 30 | 39 | 34 | 19 | 11 | - | |
| | 5' | 105 | 0.060 | 0.064 | 11 - 13 - 19 | 22 | 50 | 14.8 | 15.8 | 3.2 - 4.0 - 5.7 | 36 | 46 | 43 | 33 | 28 | 11 | |
| | | 128 | 0.088 | 0.094 | 12 - 15 - 21 | 27 | 60 | 21.9 | 23.4 | 3.6 - 4.5 - 6.3 | 38 | 48 | 46 | 38 | 34 | 17 | |
| | | 150 | 0.122 | 0.130 | 13 - 16 - 23 | 32 | 71 | 30.3 | 32.3 | 4.0 - 4.8 - 6.8 | 39 | 50 | 48 | 42 | 39 | 23 | |
| | | 195 | 0.206 | 0.219 | 15 - 18 - 26 | 39 | 92 | 51.2 | 54.6 | 4.5 - 5.5 - 7.8 | 42 | 53 | 53 | 48 | 46 | 32 | |
| | 3/4" Slot Width 12" Oval Inlet | 4' | 75 | 0.048 | 0.049 | 8 - 11 - 16 | - | 35 | 11.9 | 12.1 | 2.6 - 3.4 - 4.8 | 23 | 34 | 36 | 24 | - | - |
| | | | 125 | 0.133 | 0.135 | 12 - 15 - 21 | 24 | 59 | 33.1 | 33.7 | 3.6 - 4.4 - 6.2 | 28 | 40 | 44 | 36 | 26 | - |
| | | | 150 | 0.192 | 0.195 | 13 - 16 - 23 | 29 | 71 | 47.7 | 48.5 | 4.0 - 4.8 - 6.8 | 30 | 42 | 47 | 41 | 31 | 13 |
| | | | 175 | 0.261 | 0.265 | 14 - 17 - 24 | 34 | 83 | 64.9 | 66.0 | 4.3 - 5.2 - 7.4 | 32 | 44 | 49 | 44 | 36 | 18 |
| 5' | | 225 | 0.431 | 0.438 | 16 - 20 - 28 | 41 | 106 | 107.4 | 109.0 | 4.8 - 5.9 - 8.4 | 34 | 47 | 53 | 51 | 44 | 27 | |
| | | 80 | 0.031 | 0.032 | 8 - 12 - 16 | - | 38 | 7.8 | 8.0 | 2.4 - 3.5 - 5.0 | 25 | 35 | 35 | 22 | - | - | |
| | | 140 | 0.096 | 0.098 | 13 - 15 - 22 | 24 | 66 | 23.8 | 24.5 | 3.8 - 4.7 - 6.6 | 31 | 42 | 44 | 35 | 27 | - | |
| | | 170 | 0.141 | 0.145 | 14 - 17 - 24 | 29 | 80 | 35.1 | 36.1 | 4.2 - 5.2 - 7.3 | 33 | 44 | 47 | 40 | 33 | 15 | |
| 5' | 200 | 0.195 | 0.201 | 15 - 18 - 26 | 34 | 94 | 48.6 | 50.0 | 4.6 - 5.6 - 7.9 | 34 | 46 | 49 | 44 | 38 | 20 | | |
| | 260 | 0.330 | 0.339 | 17 - 21 - 30 | 41 | 123 | 82.2 | 84.5 | 5.2 - 6.4 - 9.0 | 37 | 49 | 53 | 51 | 46 | 29 | | |

NOTE: See notes on page F1-21.

PTBS Performance Data: Horizontal Throw

IP/METRIC DATA: PTBS, 3/4" SLOT WIDTH, 2-SLOT, 1-WAY (NO DAMPER)

PLENUM SLOT DIFFUSERS

| | Linear Length | IP Data | | | | NC | Metric Data | | | | Octave Band, dB | | | | | | |
|-----------------|----------------|----------|----------|--------------|--------------|-----|-------------|----------|-----------------|-------------------|-----------------|----|----|----|----|----|--|
| | | Air Flow | Pressure | | 1-Way Throw | | Air Flow | Pressure | | 1-Way Throw | 2 | 3 | 4 | 5 | 6 | 7 | |
| | | | Ps | Pt | | | | Ps | Pt | | | | | | | | |
| | | CFM | "WG | "WG | ft | | L/s | Pa | Pa | m | | | | | | | |
| 3/4" Slot Width | 2' | 40 | 0.023 | 0.025 | 3 - 7 - 16 | - | 19 | 5.6 | 6.3 | 0.9 - 2.0 - 4.9 | 37 | 45 | 35 | 20 | 17 | - | |
| | | 70 | 0.069 | 0.078 | 9 - 14 - 28 | 24 | 33 | 17.2 | 19.4 | 2.8 - 4.3 - 8.6 | 43 | 52 | 44 | 34 | 33 | 19 | |
| | | 85 | 0.102 | 0.115 | 11 - 17 - 31 | 29 | 40 | 25.4 | 28.6 | 3.5 - 5.2 - 9.5 | 45 | 54 | 47 | 38 | 39 | 25 | |
| | | 100 | 0.141 | 0.159 | 13 - 20 - 34 | 34 | 47 | 35.2 | 39.6 | 4.1 - 6.1 - 10.3 | 46 | 56 | 50 | 42 | 44 | 31 | |
| | 4' | 130 | 0.239 | 0.269 | 17 - 26 - 39 | 41 | 61 | 59.4 | 67.0 | 5.3 - 8.0 - 11.8 | 49 | 59 | 54 | 49 | 52 | 40 | |
| | | 40 | 0.015 | 0.018 | 1 - 3 - 10 | - | 19 | 3.7 | 4.4 | 0.4 - 1.0 - 2.9 | 41 | 46 | 29 | - | - | - | |
| | | 90 | 0.074 | 0.089 | 7 - 11 - 17 | 20 | 42 | 18.5 | 22.1 | 2.2 - 3.3 - 5.3 | 49 | 56 | 42 | 29 | 34 | 21 | |
| | | 115 | 0.121 | 0.145 | 9 - 14 - 20 | 27 | 54 | 30.2 | 36.0 | 2.8 - 4.2 - 6.0 | 52 | 59 | 46 | 35 | 41 | 29 | |
| | 6" Oval Inlet | 140 | 0.180 | 0.215 | 11 - 15 - 22 | 33 | 66 | 44.7 | 53.4 | 3.4 - 4.7 - 6.6 | 54 | 62 | 49 | 40 | 47 | 36 | |
| | | 190 | 0.331 | 0.395 | 15 - 18 - 25 | 41 | 90 | 82.3 | 98.4 | 4.4 - 5.4 - 7.7 | 57 | 66 | 54 | 47 | 56 | 46 | |
| | | 50 | 0.021 | 0.025 | 2 - 4 - 11 | - | 24 | 5.2 | 6.3 | 0.5 - 1.1 - 3.2 | 44 | 50 | 31 | 11 | 13 | - | |
| | | 100 | 0.084 | 0.102 | 6 - 11 - 18 | 20 | 47 | 20.8 | 25.3 | 1.9 - 3.2 - 5.6 | 51 | 58 | 42 | 28 | 34 | 22 | |
| 5' | 125 | 0.131 | 0.159 | 9 - 13 - 21 | 26 | 59 | 32.6 | 39.5 | 2.7 - 4.0 - 6.2 | 54 | 61 | 45 | 34 | 41 | 30 | | |
| | 150 | 0.188 | 0.229 | 11 - 16 - 23 | 31 | 71 | 46.9 | 56.9 | 3.2 - 4.8 - 6.8 | 56 | 63 | 48 | 38 | 46 | 36 | | |
| | 200 | 0.335 | 0.406 | 14 - 18 - 26 | 39 | 94 | 83.4 | 101.2 | 4.3 - 5.6 - 7.9 | 59 | 67 | 53 | 45 | 55 | 46 | | |
| | 30 | 0.008 | 0.009 | 2 - 4 - 12 | - | 14 | 2.0 | 2.2 | 0.5 - 1.1 - 3.7 | 26 | 34 | 27 | - | - | - | | |
| 3/4" Slot Width | 2' | 75 | 0.051 | 0.054 | 10 - 15 - 29 | 20 | 35 | 12.6 | 13.6 | 3.1 - 4.6 - 8.9 | 36 | 46 | 42 | 31 | 26 | - | |
| | | 98 | 0.086 | 0.092 | 13 - 20 - 34 | 27 | 46 | 21.3 | 22.9 | 4.0 - 6.0 - 10.2 | 39 | 49 | 46 | 37 | 34 | 18 | |
| | | 120 | 0.130 | 0.140 | 16 - 24 - 37 | 33 | 57 | 32.3 | 34.7 | 4.9 - 7.4 - 11.3 | 41 | 51 | 49 | 43 | 40 | 25 | |
| | | 165 | 0.245 | 0.264 | 22 - 31 - 44 | 42 | 78 | 61.0 | 65.7 | 6.7 - 9.4 - 13.3 | 44 | 55 | 54 | 50 | 50 | 36 | |
| | 4' | 60 | 0.017 | 0.019 | 3 - 7 - 14 | - | 28 | 4.1 | 4.8 | 1.0 - 2.2 - 4.3 | 37 | 44 | 32 | 15 | 12 | - | |
| | | 115 | 0.061 | 0.070 | 9 - 14 - 20 | 21 | 54 | 15.2 | 17.5 | 2.8 - 4.2 - 6.0 | 44 | 53 | 43 | 31 | 32 | 17 | |
| | | 143 | 0.094 | 0.108 | 11 - 16 - 22 | 27 | 67 | 23.3 | 26.8 | 3.4 - 4.7 - 6.7 | 46 | 55 | 46 | 36 | 38 | 25 | |
| | | 170 | 0.133 | 0.153 | 13 - 17 - 24 | 32 | 80 | 33.2 | 38.2 | 4.1 - 5.2 - 7.3 | 48 | 57 | 49 | 40 | 43 | 31 | |
| | 5' | 225 | 0.234 | 0.269 | 16 - 20 - 28 | 40 | 106 | 58.2 | 66.9 | 4.8 - 5.9 - 8.4 | 51 | 61 | 53 | 47 | 52 | 40 | |
| | | 70 | 0.020 | 0.023 | 3 - 7 - 15 | - | 33 | 4.9 | 5.7 | 1.0 - 2.1 - 4.5 | 40 | 47 | 33 | 15 | 14 | - | |
| | | 130 | 0.068 | 0.080 | 9 - 14 - 21 | 21 | 61 | 16.9 | 19.8 | 2.8 - 4.2 - 6.4 | 47 | 55 | 43 | 30 | 33 | 19 | |
| | | 160 | 0.103 | 0.120 | 11 - 16 - 23 | 27 | 76 | 25.6 | 30.0 | 3.4 - 5.0 - 7.1 | 49 | 57 | 46 | 35 | 39 | 26 | |
| 8" Oval Inlet | 190 | 0.145 | 0.170 | 13 - 18 - 25 | 32 | 90 | 36.1 | 42.3 | 4.1 - 5.4 - 7.7 | 51 | 59 | 49 | 40 | 44 | 32 | | |
| | 250 | 0.251 | 0.294 | 17 - 21 - 29 | 39 | 118 | 62.5 | 73.2 | 5.1 - 6.2 - 8.8 | 53 | 63 | 53 | 46 | 53 | 42 | | |
| | 40 | 0.012 | 0.013 | 3 - 7 - 16 | - | 19 | 3.1 | 3.2 | 0.9 - 2.0 - 4.9 | 24 | 33 | 30 | 12 | - | - | | |
| | 90 | 0.062 | 0.065 | 12 - 18 - 32 | 21 | 42 | 15.5 | 16.2 | 3.7 - 5.5 - 9.8 | 33 | 43 | 42 | 33 | 26 | - | | |
| 3/4" Slot Width | 2' | 115 | 0.102 | 0.106 | 15 - 23 - 36 | 28 | 54 | 25.3 | 26.5 | 4.7 - 7.1 - 11.1 | 35 | 46 | 46 | 39 | 33 | 16 | |
| | | 140 | 0.150 | 0.158 | 19 - 28 - 40 | 33 | 66 | 37.5 | 39.2 | 5.7 - 8.6 - 12.2 | 37 | 49 | 49 | 43 | 39 | 23 | |
| | | 190 | 0.277 | 0.290 | 26 - 33 - 47 | 42 | 90 | 69.0 | 72.3 | 7.8 - 10.1 - 14.2 | 40 | 52 | 54 | 51 | 48 | 33 | |
| | | 80 | 0.020 | 0.022 | 6 - 10 - 16 | - | 38 | 5.0 | 5.6 | 1.7 - 2.9 - 5.0 | 35 | 43 | 35 | 19 | 15 | - | |
| | 4' | 140 | 0.062 | 0.069 | 11 - 15 - 22 | 23 | 66 | 15.3 | 17.1 | 3.4 - 4.7 - 6.6 | 41 | 50 | 43 | 33 | 31 | 16 | |
| | | 170 | 0.091 | 0.101 | 13 - 17 - 24 | 28 | 80 | 22.6 | 25.2 | 4.1 - 5.2 - 7.3 | 43 | 53 | 46 | 37 | 37 | 23 | |
| | | 200 | 0.126 | 0.140 | 15 - 18 - 26 | 33 | 94 | 31.3 | 34.9 | 4.6 - 5.6 - 7.9 | 45 | 55 | 49 | 41 | 42 | 28 | |
| | | 260 | 0.212 | 0.237 | 17 - 21 - 30 | 40 | 123 | 52.9 | 59.0 | 5.2 - 6.4 - 9.0 | 48 | 58 | 53 | 48 | 50 | 37 | |
| | 5' | 90 | 0.021 | 0.024 | 5 - 10 - 17 | - | 42 | 5.3 | 6.0 | 1.6 - 2.9 - 5.3 | 38 | 45 | 35 | 18 | 16 | - | |
| | | 160 | 0.067 | 0.076 | 11 - 16 - 23 | 23 | 76 | 16.6 | 18.9 | 3.4 - 5.0 - 7.1 | 44 | 52 | 44 | 32 | 33 | 18 | |
| | | 195 | 0.099 | 0.113 | 14 - 18 - 26 | 29 | 92 | 24.7 | 28.1 | 4.2 - 5.5 - 7.8 | 46 | 55 | 47 | 37 | 39 | 25 | |
| | | 230 | 0.138 | 0.157 | 16 - 20 - 28 | 33 | 109 | 34.3 | 39.1 | 4.9 - 6.0 - 8.5 | 47 | 57 | 49 | 41 | 44 | 31 | |
| 3/4" Slot Width | 4' | 300 | 0.235 | 0.267 | 18 - 23 - 32 | 40 | 142 | 58.4 | 66.5 | 5.6 - 6.8 - 9.7 | 50 | 60 | 53 | 48 | 52 | 40 | |
| | | 100 | 0.021 | 0.022 | 8 - 12 - 18 | - | 47 | 5.2 | 5.5 | 2.4 - 3.6 - 5.6 | 30 | 39 | 34 | 20 | 12 | - | |
| | | 180 | 0.067 | 0.072 | 14 - 17 - 25 | 24 | 85 | 16.8 | 17.9 | 4.3 - 5.3 - 7.5 | 36 | 46 | 44 | 34 | 29 | 12 | |
| | | 220 | 0.101 | 0.107 | 16 - 19 - 27 | 29 | 104 | 25.1 | 26.7 | 4.8 - 5.9 - 8.3 | 38 | 49 | 47 | 39 | 35 | 19 | |
| | 5' | 260 | 0.141 | 0.150 | 17 - 21 - 30 | 34 | 123 | 35.1 | 37.3 | 5.2 - 6.4 - 9.0 | 40 | 51 | 49 | 43 | 40 | 25 | |
| | | 340 | 0.241 | 0.256 | 20 - 24 - 34 | 41 | 160 | 59.9 | 63.8 | 5.9 - 7.3 - 10.3 | 42 | 54 | 54 | 50 | 49 | 34 | |
| | | 110 | 0.019 | 0.020 | 8 - 12 - 19 | - | 52 | 4.7 | 5.1 | 2.4 - 3.6 - 5.9 | 32 | 41 | 34 | 19 | 12 | - | |
| | | 200 | 0.062 | 0.068 | 14 - 18 - 26 | 23 | 94 | 15.5 | 16.8 | 4.3 - 5.6 - 7.9 | 38 | 48 | 43 | 33 | 30 | 14 | |
| | 12" Oval Inlet | 245 | 0.093 | 0.101 | 17 - 20 - 29 | 29 | 116 | 23.2 | 25.2 | 5.1 - 6.2 - 8.7 | 40 | 50 | 47 | 38 | 36 | 21 | |
| | | 290 | 0.131 | 0.142 | 18 - 22 - 31 | 33 | 137 | 32.5 | 35.4 | 5.5 - 6.7 - 9.5 | 42 | 52 | 49 | 43 | 41 | 27 | |
| | | 380 | 0.224 | 0.244 | 21 - 25 - 36 | 41 | 179 | 55.9 | 60.7 | 6.3 - 7.7 - 10.9 | 45 | 56 | 54 | 49 | 50 | 36 | |

NOTE: See notes on page F1-21.

PTBS

© KRUEGER 2012

PTBS Performance Data: Horizontal Throw
IP/METRIC DATA: PTBS, 3/4" SLOT WIDTH, 3-SLOT, 1-WAY (NO DAMPER)

| | Linear Length | IP Data | | | | NC | Metric Data | | | | Octave Band, dB | | | | | | |
|-----------------------------------|---------------|----------|--------------|--------------|--------------|-------|-------------|------------------|-------------------|------------------|-----------------|----|----|----|----|----|--|
| | | Air Flow | Pressure | | 1-Way Throw | | Air Flow | Pressure | | 1-Way Throw | 2 | 3 | 4 | 5 | 6 | 7 | |
| | | | Ps | Pt | | | | Ps | Pt | | | | | | | | |
| | | CFM | "WG | "WG | ft | | L/s | Pa | Pa | m | | | | | | | |
| 3/4" Slot Width 6" Oval Inlet | 2' | 50 | 0.027 | 0.031 | 3 - 6 - 16 | - | 24 | 6.6 | 7.7 | 0.8 - 1.7 - 5.0 | 41 | 49 | 35 | 19 | 19 | - | |
| | | 85 | 0.077 | 0.090 | 7 - 14 - 28 | 23 | 40 | 19.1 | 22.3 | 2.2 - 4.3 - 8.5 | 47 | 55 | 44 | 32 | 35 | 21 | |
| | | 103 | 0.112 | 0.130 | 11 - 17 - 34 | 28 | 48 | 27.8 | 32.4 | 3.2 - 5.1 - 10.3 | 49 | 57 | 47 | 37 | 41 | 28 | |
| | | 120 | 0.153 | 0.179 | 13 - 20 - 37 | 33 | 57 | 38.1 | 44.5 | 4.0 - 6.0 - 11.3 | 51 | 59 | 49 | 41 | 45 | 33 | |
| | 155 | 0.255 | 0.298 | 17 - 26 - 42 | 40 | 73 | 63.5 | 74.2 | 5.2 - 7.8 - 12.8 | 53 | 62 | 53 | 47 | 53 | 42 | | |
| | 4' | 70 | 0.039 | 0.047 | 2 - 5 - 14 | - | 33 | 9.6 | 11.8 | 0.7 - 1.6 - 4.1 | 49 | 54 | 35 | 16 | 22 | - | |
| | | 120 | 0.113 | 0.139 | 7 - 12 - 20 | 22 | 57 | 28.2 | 34.7 | 2.1 - 3.5 - 6.1 | 54 | 61 | 43 | 30 | 38 | 27 | |
| | | 145 | 0.166 | 0.203 | 9 - 14 - 22 | 27 | 68 | 41.2 | 50.6 | 2.9 - 4.3 - 6.7 | 56 | 63 | 46 | 34 | 44 | 33 | |
| | | 170 | 0.228 | 0.279 | 11 - 16 - 24 | 32 | 80 | 56.7 | 69.5 | 3.3 - 5.0 - 7.3 | 58 | 65 | 49 | 38 | 48 | 39 | |
| | 220 | 0.381 | 0.468 | 14 - 19 - 27 | 39 | 104 | 94.9 | 116.5 | 4.3 - 5.9 - 8.3 | 61 | 68 | 53 | 45 | 56 | 47 | | |
| | 5' | 80 | 0.047 | 0.059 | 2 - 5 - 14 | - | 38 | 11.8 | 14.7 | 0.7 - 1.5 - 4.2 | 51 | 56 | 35 | 16 | 23 | 11 | |
| | | 140 | 0.145 | 0.180 | 7 - 12 - 22 | 23 | 66 | 36.2 | 44.9 | 2.1 - 3.7 - 6.6 | 57 | 63 | 44 | 30 | 40 | 30 | |
| 170 | | 0.214 | 0.266 | 10 - 15 - 24 | 28 | 80 | 53.3 | 66.2 | 3.0 - 4.5 - 7.3 | 59 | 66 | 47 | 35 | 46 | 36 | | |
| 200 | | 0.296 | 0.368 | 12 - 17 - 26 | 33 | 94 | 73.8 | 91.6 | 3.5 - 5.3 - 7.9 | 61 | 68 | 49 | 39 | 51 | 42 | | |
| 260 | 0.501 | 0.622 | 15 - 21 - 30 | 40 | 123 | 124.7 | 154.8 | 4.6 - 6.4 - 9.0 | 64 | 71 | 54 | 45 | 59 | 51 | | | |
| 3/4" Slot Width 8" Oval Inlet | 2' | 55 | 0.018 | 0.020 | 3 - 7 - 18 | - | 26 | 4.4 | 4.9 | 0.9 - 2.1 - 5.5 | 35 | 43 | 33 | 17 | 13 | - | |
| | | 100 | 0.058 | 0.065 | 10 - 16 - 33 | 22 | 47 | 14.4 | 16.1 | 3.1 - 5.0 - 10.0 | 41 | 50 | 43 | 32 | 31 | 15 | |
| | | 123 | 0.087 | 0.097 | 13 - 20 - 38 | 28 | 58 | 21.7 | 24.2 | 4.1 - 6.1 - 11.4 | 43 | 53 | 46 | 37 | 37 | 22 | |
| | | 145 | 0.122 | 0.136 | 16 - 24 - 41 | 32 | 68 | 30.3 | 33.9 | 4.8 - 7.3 - 12.4 | 45 | 55 | 49 | 41 | 42 | 28 | |
| | 190 | 0.209 | 0.234 | 21 - 31 - 47 | 40 | 90 | 52.1 | 58.3 | 6.3 - 9.5 - 14.2 | 48 | 58 | 53 | 48 | 50 | 37 | | |
| | 4' | 90 | 0.030 | 0.035 | 4 - 9 - 17 | - | 42 | 7.4 | 8.8 | 1.2 - 2.7 - 5.3 | 44 | 50 | 35 | 18 | 20 | - | |
| | | 155 | 0.088 | 0.104 | 10 - 15 - 23 | 23 | 73 | 21.8 | 26.0 | 3.0 - 4.6 - 7.0 | 49 | 57 | 44 | 32 | 36 | 24 | |
| | | 188 | 0.128 | 0.153 | 12 - 18 - 25 | 29 | 88 | 32.0 | 38.0 | 3.7 - 5.4 - 7.7 | 51 | 59 | 47 | 36 | 42 | 30 | |
| | | 220 | 0.177 | 0.210 | 14 - 19 - 27 | 33 | 104 | 44.0 | 52.3 | 4.3 - 5.9 - 8.3 | 53 | 61 | 49 | 40 | 47 | 36 | |
| | 285 | 0.297 | 0.353 | 18 - 22 - 31 | 40 | 135 | 73.9 | 87.8 | 5.4 - 6.7 - 9.4 | 56 | 65 | 53 | 47 | 55 | 44 | | |
| | 5' | 100 | 0.033 | 0.040 | 3 - 8 - 17 | - | 47 | 8.3 | 10.0 | 1.1 - 2.4 - 5.3 | 46 | 52 | 35 | 17 | 21 | - | |
| | | 175 | 0.102 | 0.123 | 10 - 15 - 24 | 23 | 83 | 25.3 | 30.5 | 3.1 - 4.6 - 7.4 | 52 | 59 | 44 | 31 | 38 | 26 | |
| 213 | | 0.150 | 0.181 | 12 - 18 - 27 | 29 | 100 | 37.3 | 45.0 | 3.7 - 5.6 - 8.1 | 54 | 62 | 47 | 36 | 43 | 32 | | |
| 250 | | 0.207 | 0.250 | 14 - 21 - 29 | 33 | 118 | 51.6 | 62.3 | 4.4 - 6.2 - 8.8 | 56 | 64 | 49 | 40 | 48 | 38 | | |
| 325 | 0.350 | 0.423 | 19 - 23 - 33 | 40 | 153 | 87.2 | 105.4 | 5.7 - 7.1 - 10.1 | 58 | 67 | 54 | 47 | 56 | 47 | | | |
| 3/4" Slot Width 10" Oval Inlet | 2' | 60 | 0.015 | 0.017 | 4 - 8 - 20 | - | 28 | 3.8 | 4.1 | 1.1 - 2.5 - 6.0 | 31 | 39 | 32 | 16 | - | - | |
| | | 120 | 0.061 | 0.067 | 13 - 20 - 37 | 23 | 57 | 15.3 | 16.6 | 4.0 - 6.0 - 11.3 | 38 | 48 | 43 | 33 | 30 | 13 | |
| | | 150 | 0.096 | 0.104 | 16 - 25 - 42 | 29 | 71 | 23.9 | 25.9 | 5.0 - 7.5 - 12.6 | 40 | 50 | 47 | 39 | 37 | 21 | |
| | | 180 | 0.138 | 0.150 | 20 - 30 - 46 | 34 | 85 | 34.4 | 37.3 | 6.0 - 9.0 - 13.8 | 42 | 53 | 50 | 43 | 42 | 27 | |
| | 240 | 0.245 | 0.266 | 26 - 37 - 53 | 42 | 113 | 61.1 | 66.3 | 8.0 - 11.3 - 16.0 | 45 | 56 | 54 | 50 | 51 | 37 | | |
| | 4' | 100 | 0.023 | 0.027 | 5 - 10 - 18 | - | 47 | 5.7 | 6.6 | 1.5 - 3.0 - 5.6 | 40 | 47 | 35 | 18 | 17 | - | |
| | | 180 | 0.074 | 0.086 | 12 - 17 - 25 | 24 | 85 | 18.5 | 21.4 | 3.5 - 5.3 - 7.5 | 46 | 54 | 44 | 32 | 35 | 21 | |
| | | 220 | 0.111 | 0.129 | 14 - 19 - 27 | 29 | 104 | 27.7 | 32.0 | 4.3 - 5.9 - 8.3 | 48 | 57 | 47 | 37 | 41 | 28 | |
| | | 260 | 0.155 | 0.180 | 17 - 21 - 30 | 34 | 123 | 38.6 | 44.7 | 5.1 - 6.4 - 9.0 | 50 | 59 | 50 | 42 | 46 | 33 | |
| | 340 | 0.265 | 0.307 | 20 - 24 - 34 | 41 | 160 | 66.1 | 76.5 | 5.9 - 7.3 - 10.3 | 53 | 62 | 54 | 48 | 54 | 43 | | |
| | 5' | 110 | 0.024 | 0.029 | 4 - 9 - 19 | - | 52 | 6.1 | 7.2 | 1.3 - 2.9 - 5.8 | 42 | 49 | 34 | 17 | 17 | - | |
| | | 190 | 0.073 | 0.086 | 11 - 16 - 25 | 22 | 90 | 18.1 | 21.4 | 3.3 - 5.0 - 7.7 | 48 | 55 | 43 | 30 | 34 | 20 | |
| 230 | | 0.107 | 0.126 | 13 - 20 - 28 | 27 | 109 | 26.6 | 31.3 | 4.0 - 6.0 - 8.5 | 50 | 58 | 46 | 35 | 40 | 27 | | |
| 270 | | 0.147 | 0.173 | 16 - 21 - 30 | 31 | 127 | 36.6 | 43.2 | 4.7 - 6.5 - 9.2 | 51 | 60 | 48 | 39 | 44 | 33 | | |
| 350 | 0.247 | 0.292 | 20 - 24 - 34 | 39 | 165 | 61.5 | 72.6 | 6.0 - 7.4 - 10.5 | 54 | 63 | 52 | 45 | 52 | 41 | | | |
| 3/4" Slot Width 12" Oval Inlet | 4' | 130 | 0.022 | 0.024 | 8 - 13 - 21 | - | 61 | 5.4 | 5.9 | 2.5 - 3.8 - 6.4 | 35 | 43 | 35 | 20 | 15 | - | |
| | | 230 | 0.067 | 0.075 | 15 - 20 - 28 | 24 | 109 | 16.8 | 18.6 | 4.5 - 6.0 - 8.5 | 41 | 50 | 44 | 34 | 32 | 17 | |
| | | 280 | 0.100 | 0.110 | 18 - 22 - 31 | 30 | 132 | 24.9 | 27.5 | 5.4 - 6.6 - 9.4 | 43 | 52 | 47 | 39 | 38 | 24 | |
| | | 330 | 0.139 | 0.153 | 19 - 24 - 33 | 34 | 156 | 34.5 | 38.2 | 5.9 - 7.2 - 10.2 | 44 | 54 | 50 | 43 | 43 | 29 | |
| | 430 | 0.235 | 0.260 | 22 - 27 - 38 | 42 | 203 | 58.6 | 64.8 | 6.7 - 8.2 - 11.6 | 47 | 58 | 54 | 50 | 51 | 38 | | |
| | 5' | 150 | 0.023 | 0.026 | 8 - 13 - 23 | - | 71 | 5.8 | 6.6 | 2.4 - 4.0 - 6.8 | 37 | 45 | 36 | 20 | 17 | - | |
| | | 250 | 0.065 | 0.073 | 14 - 21 - 29 | 23 | 118 | 16.2 | 18.3 | 4.4 - 6.2 - 8.8 | 43 | 52 | 44 | 33 | 33 | 18 | |
| | | 300 | 0.094 | 0.106 | 17 - 23 - 32 | 28 | 142 | 23.3 | 26.3 | 5.3 - 6.8 - 9.7 | 45 | 54 | 46 | 37 | 38 | 24 | |
| 350 | | 0.127 | 0.144 | 20 - 24 - 34 | 32 | 165 | 31.7 | 35.8 | 6.0 - 7.4 - 10.5 | 46 | 56 | 49 | 41 | 43 | 29 | | |
| 450 | 0.211 | 0.238 | 23 - 28 - 39 | 39 | 212 | 52.4 | 59.2 | 6.8 - 8.4 - 11.9 | 49 | 59 | 53 | 47 | 50 | 38 | | | |

NOTE: See notes on page F1-21.

PTBS Performance Data: Horizontal Throw

IP/METRIC DATA: PTBS, 3/4" SLOT WIDTH, 4-SLOT, 1-WAY (NO DAMPER)

PLENUM SLOT DIFFUSERS

| | Linear Length | IP Data | | | | NC | Metric Data | | | | Octave Band, dB | | | | | | |
|-----------------|---------------|----------|----------|--------------|--------------|--------------|-------------|----------|-------------------|------------------|------------------|----|----|----|----|----|----|
| | | Air Flow | Pressure | | 1-Way Throw | | Air Flow | Pressure | | 1-Way Throw | 2 | 3 | 4 | 5 | 6 | 7 | |
| | | | Ps | Pt | | | | Ps | Pt | | | | | | | | |
| | | CFM | "WG | "WG | ft | | L/s | Pa | Pa | m | | | | | | | |
| 3/4" Slot Width | 2' | 60 | 0.033 | 0.039 | 2 - 5 - 17 | - | 28 | 8.2 | 9.8 | 0.7 - 1.6 - 5.2 | 45 | 51 | 36 | 19 | 21 | - | |
| | | 100 | 0.092 | 0.109 | 7 - 14 - 29 | 23 | 47 | 22.8 | 27.3 | 2.0 - 4.3 - 8.7 | 50 | 58 | 44 | 32 | 37 | 24 | |
| | | 120 | 0.132 | 0.158 | 9 - 17 - 34 | 28 | 57 | 32.8 | 39.3 | 2.9 - 5.2 - 10.4 | 52 | 60 | 47 | 36 | 42 | 30 | |
| | | 140 | 0.180 | 0.215 | 13 - 20 - 40 | 33 | 66 | 44.7 | 53.4 | 3.9 - 6.1 - 12.1 | 54 | 62 | 49 | 40 | 47 | 36 | |
| | 6" Oval Inlet | 4' | 180 | 0.297 | 0.355 | 17 - 26 - 46 | 40 | 85 | 73.9 | 88.3 | 5.2 - 7.8 - 13.8 | 56 | 65 | 53 | 46 | 54 | 44 |
| | | | 80 | 0.047 | 0.058 | 2 - 5 - 13 | - | 38 | 11.6 | 14.5 | 0.6 - 1.4 - 4.1 | 52 | 57 | 34 | 15 | 22 | - |
| | | | 130 | 0.123 | 0.153 | 5 - 11 - 21 | 20 | 61 | 30.7 | 38.2 | 1.6 - 3.3 - 6.4 | 57 | 63 | 42 | 27 | 37 | 27 |
| | | | 155 | 0.175 | 0.218 | 8 - 13 - 23 | 25 | 73 | 43.6 | 54.3 | 2.3 - 4.0 - 7.0 | 59 | 65 | 45 | 32 | 42 | 33 |
| | | 5' | 180 | 0.236 | 0.294 | 10 - 15 - 25 | 29 | 85 | 58.8 | 73.3 | 3.1 - 4.6 - 7.5 | 60 | 67 | 47 | 35 | 47 | 38 |
| | | | 230 | 0.386 | 0.480 | 13 - 19 - 28 | 36 | 109 | 96.1 | 119.6 | 3.9 - 5.9 - 8.5 | 63 | 70 | 51 | 41 | 54 | 46 |
| | | | 100 | 0.070 | 0.087 | 2 - 5 - 15 | - | 47 | 17.3 | 21.8 | 0.7 - 1.5 - 4.6 | 55 | 60 | 36 | 17 | 27 | 16 |
| | | | 160 | 0.178 | 0.224 | 6 - 12 - 23 | 22 | 76 | 44.4 | 55.8 | 1.8 - 3.7 - 7.1 | 60 | 66 | 43 | 29 | 41 | 32 |
| 8" Oval Inlet | 2' | 190 | 0.251 | 0.316 | 8 - 14 - 25 | 27 | 90 | 62.6 | 78.6 | 2.5 - 4.3 - 7.7 | 62 | 68 | 46 | 33 | 46 | 38 | |
| | | 220 | 0.337 | 0.423 | 11 - 17 - 27 | 31 | 104 | 83.9 | 105.4 | 3.3 - 5.0 - 8.3 | 64 | 70 | 48 | 37 | 51 | 43 | |
| | | 280 | 0.546 | 0.686 | 14 - 21 - 31 | 38 | 132 | 135.9 | 170.8 | 4.3 - 6.4 - 9.4 | 66 | 73 | 52 | 43 | 58 | 51 | |
| | | 60 | 0.017 | 0.019 | 2 - 5 - 17 | - | 28 | 4.1 | 4.8 | 0.7 - 1.6 - 5.2 | 37 | 44 | 32 | 15 | 12 | - | |
| | 4' | 110 | 0.056 | 0.064 | 8 - 16 - 31 | 20 | 52 | 13.9 | 16.0 | 2.4 - 4.8 - 9.5 | 44 | 52 | 42 | 30 | 30 | 16 | |
| | | 135 | 0.084 | 0.097 | 12 - 19 - 39 | 26 | 64 | 20.9 | 24.1 | 3.6 - 5.9 - 11.7 | 46 | 54 | 45 | 35 | 37 | 23 | |
| | | 160 | 0.118 | 0.136 | 15 - 23 - 43 | 30 | 76 | 29.4 | 33.8 | 4.6 - 6.9 - 13.1 | 48 | 57 | 48 | 39 | 42 | 29 | |
| | | 210 | 0.204 | 0.234 | 20 - 30 - 49 | 38 | 99 | 50.7 | 58.3 | 6.1 - 9.1 - 15.0 | 50 | 60 | 52 | 46 | 50 | 38 | |
| 5' | | 115 | 0.043 | 0.052 | 4 - 9 - 19 | - | 54 | 10.7 | 12.9 | 1.3 - 2.9 - 5.9 | 48 | 54 | 37 | 20 | 24 | 11 | |
| | | 185 | 0.111 | 0.134 | 10 - 16 - 25 | 24 | 87 | 27.6 | 33.5 | 3.2 - 4.7 - 7.6 | 53 | 60 | 44 | 32 | 39 | 27 | |
| | | 220 | 0.157 | 0.190 | 12 - 18 - 27 | 29 | 104 | 39.0 | 47.3 | 3.7 - 5.6 - 8.3 | 55 | 62 | 47 | 36 | 44 | 33 | |
| | | 255 | 0.210 | 0.255 | 14 - 21 - 29 | 33 | 120 | 52.4 | 63.6 | 4.3 - 6.3 - 8.9 | 56 | 64 | 49 | 39 | 48 | 38 | |
| 10" Oval Inlet | 2' | 325 | 0.342 | 0.415 | 18 - 23 - 33 | 39 | 153 | 85.1 | 103.3 | 5.5 - 7.1 - 10.1 | 59 | 67 | 53 | 46 | 56 | 46 | |
| | | 125 | 0.047 | 0.058 | 4 - 8 - 19 | - | 59 | 11.7 | 14.4 | 1.1 - 2.4 - 5.7 | 50 | 56 | 36 | 18 | 24 | 11 | |
| | | 205 | 0.126 | 0.155 | 10 - 15 - 26 | 23 | 97 | 31.5 | 38.7 | 2.9 - 4.7 - 8.0 | 55 | 62 | 44 | 31 | 39 | 28 | |
| | | 245 | 0.181 | 0.222 | 12 - 18 - 29 | 28 | 116 | 45.0 | 55.3 | 3.7 - 5.6 - 8.7 | 57 | 64 | 47 | 35 | 45 | 34 | |
| | 4' | 285 | 0.244 | 0.300 | 14 - 21 - 31 | 32 | 135 | 60.8 | 74.8 | 4.3 - 6.5 - 9.4 | 59 | 66 | 49 | 39 | 49 | 40 | |
| | | 365 | 0.401 | 0.493 | 18 - 25 - 35 | 39 | 172 | 99.8 | 122.6 | 5.6 - 7.6 - 10.7 | 61 | 69 | 53 | 45 | 57 | 48 | |
| | | 80 | 0.020 | 0.022 | 4 - 9 - 23 | - | 38 | 5.0 | 5.6 | 1.3 - 2.9 - 6.9 | 35 | 43 | 35 | 19 | 15 | - | |
| | | 4' | 140 | 0.062 | 0.069 | 13 - 20 - 40 | 23 | 66 | 15.3 | 17.1 | 3.9 - 6.1 - 12.1 | 41 | 50 | 43 | 33 | 31 | 16 |
| 170 | 0.091 | | 0.101 | 16 - 24 - 44 | 28 | 80 | 22.6 | 25.2 | 4.9 - 7.4 - 13.5 | 43 | 53 | 46 | 37 | 37 | 23 | | |
| 200 | 0.126 | | 0.140 | 19 - 29 - 48 | 33 | 94 | 31.3 | 34.9 | 5.8 - 8.7 - 14.6 | 45 | 55 | 49 | 41 | 42 | 28 | | |
| 260 | 0.212 | | 0.237 | 25 - 37 - 55 | 40 | 123 | 52.9 | 59.0 | 7.5 - 11.3 - 16.6 | 48 | 58 | 53 | 48 | 50 | 37 | | |
| 5' | 120 | | 0.028 | 0.033 | 5 - 10 - 20 | - | 57 | 7.0 | 8.3 | 1.4 - 3.1 - 6.1 | 43 | 50 | 35 | 18 | 19 | - | |
| | 200 | | 0.078 | 0.093 | 11 - 17 - 26 | 22 | 94 | 19.4 | 23.1 | 3.4 - 5.1 - 7.9 | 49 | 56 | 43 | 31 | 35 | 22 | |
| | 240 | | 0.112 | 0.133 | 13 - 20 - 28 | 27 | 113 | 28.0 | 33.2 | 4.1 - 6.1 - 8.7 | 51 | 58 | 46 | 35 | 40 | 28 | |
| | 280 | | 0.153 | 0.181 | 16 - 22 - 31 | 31 | 132 | 38.1 | 45.2 | 4.8 - 6.6 - 9.4 | 52 | 60 | 48 | 39 | 45 | 33 | |
| 12" Oval Inlet | 4' | 360 | 0.253 | 0.300 | 20 - 25 - 35 | 38 | 170 | 63.0 | 74.7 | 6.1 - 7.5 - 10.6 | 55 | 63 | 52 | 45 | 52 | 42 | |
| | | 140 | 0.035 | 0.042 | 4 - 10 - 21 | - | 66 | 8.6 | 10.4 | 1.4 - 3.0 - 6.4 | 46 | 52 | 36 | 18 | 22 | - | |
| | | 240 | 0.102 | 0.123 | 12 - 18 - 28 | 24 | 113 | 25.4 | 30.6 | 3.7 - 5.5 - 8.7 | 52 | 59 | 44 | 32 | 38 | 26 | |
| | | 290 | 0.149 | 0.179 | 15 - 22 - 31 | 29 | 137 | 37.0 | 44.6 | 4.4 - 6.6 - 9.5 | 54 | 61 | 47 | 36 | 43 | 32 | |
| | 5' | 340 | 0.204 | 0.246 | 17 - 24 - 34 | 33 | 160 | 50.9 | 61.3 | 5.2 - 7.3 - 10.3 | 55 | 63 | 50 | 40 | 48 | 38 | |
| | | 440 | 0.342 | 0.412 | 22 - 27 - 39 | 40 | 208 | 85.2 | 102.7 | 6.7 - 8.3 - 11.7 | 58 | 66 | 54 | 47 | 56 | 47 | |
| | | 150 | 0.022 | 0.025 | 7 - 13 - 23 | - | 71 | 5.5 | 6.3 | 2.2 - 3.8 - 6.8 | 38 | 45 | 35 | 19 | 16 | - | |
| | | 5' | 260 | 0.067 | 0.076 | 15 - 21 - 30 | 23 | 123 | 16.6 | 18.9 | 4.4 - 6.4 - 9.0 | 43 | 52 | 44 | 33 | 33 | 18 |
| 315 | 0.098 | | 0.111 | 18 - 23 - 33 | 29 | 149 | 24.4 | 27.7 | 5.4 - 7.0 - 9.9 | 45 | 55 | 47 | 37 | 39 | 25 | | |
| 370 | 0.135 | | 0.154 | 20 - 25 - 35 | 33 | 175 | 33.7 | 38.3 | 6.2 - 7.6 - 10.8 | 47 | 57 | 49 | 41 | 44 | 30 | | |
| 480 | 0.228 | | 0.259 | 23 - 28 - 40 | 40 | 227 | 56.7 | 64.4 | 7.1 - 8.7 - 12.2 | 50 | 60 | 53 | 48 | 51 | 39 | | |
| 5' | 175 | | 0.026 | 0.030 | 7 - 13 - 24 | - | 83 | 6.4 | 7.5 | 2.1 - 4.0 - 7.4 | 41 | 48 | 36 | 19 | 19 | - | |
| | 295 | | 0.074 | 0.085 | 15 - 22 - 32 | 23 | 139 | 18.3 | 21.2 | 4.5 - 6.7 - 9.6 | 46 | 54 | 44 | 32 | 34 | 21 | |
| | 355 | | 0.106 | 0.123 | 18 - 24 - 35 | 28 | 168 | 26.5 | 30.7 | 5.4 - 7.4 - 10.5 | 48 | 57 | 47 | 37 | 40 | 27 | |
| | 415 | | 0.145 | 0.169 | 21 - 26 - 37 | 33 | 196 | 36.2 | 42.0 | 6.3 - 8.1 - 11.4 | 50 | 58 | 49 | 41 | 45 | 32 | |
| 5' | 535 | 0.242 | 0.280 | 25 - 30 - 43 | 40 | 252 | 60.2 | 69.8 | 7.5 - 9.1 - 12.9 | 52 | 62 | 53 | 47 | 52 | 41 | | |

NOTE: See notes on page F1-21.

PTBS

© KRUEGER 2012

PTBS Performance Data: Horizontal Throw

IP/METRIC DATA: PTBS, 1" SLOT WIDTH, 1-SLOT, 1-WAY (NO DAMPER)

| | Linear Length | IP Data | | | | NC | Metric Data | | | | Octave Band, dB | | | | | | |
|----------------|---------------|----------|----------|--------------|--------------|--------------|-------------|----------|-----------------|------------------|-----------------|----|----|----|----|----|----|
| | | Air Flow | Pressure | | 1-Way Throw | | Air Flow | Pressure | | 1-Way Throw | | | | | | | |
| | | CFM | "WG | "WG | ft | | L/s | Pa | Pa | m | 2 | 3 | 4 | 5 | 6 | 7 | |
| 1" Slot Width | 2' | 30 | 0.013 | 0.015 | 3 - 7 - 15 | - | 14 | 3.3 | 3.7 | 0.9 - 2.1 - 4.5 | 27 | 27 | 21 | - | - | - | |
| | | 60 | 0.053 | 0.060 | 10 - 15 - 26 | 19 | 28 | 13.2 | 14.8 | 3.0 - 4.5 - 8.0 | 38 | 42 | 38 | 22 | 15 | - | |
| | | 75 | 0.083 | 0.093 | 12 - 19 - 29 | 25 | 35 | 20.7 | 23.2 | 3.8 - 5.6 - 8.9 | 42 | 47 | 43 | 30 | 24 | - | |
| | | 90 | 0.120 | 0.134 | 15 - 22 - 32 | 30 | 42 | 29.8 | 33.4 | 4.5 - 6.8 - 9.8 | 45 | 51 | 48 | 36 | 31 | - | |
| | | 120 | 0.213 | 0.238 | 20 - 26 - 37 | 38 | 57 | 52.9 | 59.3 | 6.0 - 8.0 - 11.3 | 49 | 57 | 55 | 45 | 41 | 20 | |
| | 6" Oval Inlet | 4' | 50 | 0.013 | 0.017 | 4 - 7 - 13 | - | 24 | 3.1 | 4.2 | 1.3 - 2.2 - 4.0 | 28 | 27 | 21 | - | - | - |
| | | | 95 | 0.045 | 0.062 | 9 - 13 - 18 | 21 | 45 | 11.3 | 15.3 | 2.8 - 3.9 - 5.4 | 38 | 41 | 37 | 28 | 22 | - |
| | | | 118 | 0.070 | 0.094 | 11 - 14 - 20 | 27 | 55 | 17.3 | 23.4 | 3.5 - 4.3 - 6.1 | 42 | 46 | 42 | 35 | 30 | - |
| | | | 140 | 0.099 | 0.134 | 13 - 15 - 22 | 32 | 66 | 24.6 | 33.3 | 3.8 - 4.7 - 6.6 | 45 | 50 | 47 | 41 | 36 | 17 |
| | | 185 | 0.172 | 0.233 | 14 - 18 - 25 | 39 | 87 | 42.9 | 58.1 | 4.4 - 5.4 - 7.6 | 49 | 56 | 54 | 50 | 47 | 28 | |
| | 5' | 60 | 0.014 | 0.021 | 4 - 8 - 14 | - | 28 | 3.5 | 5.1 | 1.3 - 2.4 - 4.3 | 28 | 28 | 22 | 11 | - | - | |
| | | 110 | 0.048 | 0.069 | 10 - 14 - 19 | 22 | 52 | 11.8 | 17.2 | 2.9 - 4.1 - 5.9 | 38 | 41 | 37 | 30 | 24 | - | |
| 135 | | 0.072 | 0.104 | 12 - 15 - 21 | 27 | 64 | 17.8 | 25.9 | 3.6 - 4.6 - 6.5 | 42 | 46 | 42 | 37 | 32 | 13 | | |
| 160 | | 0.101 | 0.146 | 13 - 16 - 23 | 32 | 76 | 25.0 | 36.4 | 4.1 - 5.0 - 7.1 | 44 | 49 | 46 | 42 | 38 | 19 | | |
| 210 | | 0.173 | 0.252 | 15 - 19 - 27 | 40 | 99 | 43.1 | 62.7 | 4.7 - 5.7 - 8.1 | 49 | 56 | 53 | 51 | 48 | 30 | | |
| 8" Oval Inlet | 2' | 40 | 0.029 | 0.030 | 5 - 10 - 20 | - | 19 | 7.2 | 7.5 | 1.7 - 3.0 - 6.0 | 29 | 30 | 24 | - | - | - | |
| | | 80 | 0.116 | 0.121 | 13 - 20 - 30 | 21 | 38 | 28.9 | 30.0 | 4.0 - 6.0 - 9.2 | 40 | 45 | 41 | 22 | 16 | - | |
| | | 100 | 0.181 | 0.188 | 16 - 24 - 34 | 27 | 47 | 45.2 | 46.9 | 5.0 - 7.3 - 10.3 | 44 | 50 | 47 | 30 | 24 | - | |
| | | 120 | 0.261 | 0.271 | 20 - 26 - 37 | 32 | 57 | 65.0 | 67.5 | 6.0 - 8.0 - 11.3 | 47 | 54 | 52 | 36 | 31 | - | |
| | | 160 | 0.464 | 0.482 | 25 - 30 - 43 | 40 | 76 | 115.6 | 120.0 | 7.5 - 9.2 - 13.1 | 51 | 61 | 59 | 45 | 42 | 18 | |
| | 4' | 70 | 0.019 | 0.022 | 7 - 10 - 15 | - | 33 | 4.7 | 5.5 | 2.1 - 3.1 - 4.7 | 30 | 31 | 26 | - | - | - | |
| | | 120 | 0.055 | 0.065 | 12 - 14 - 20 | 22 | 57 | 13.7 | 16.2 | 3.5 - 4.3 - 6.1 | 39 | 43 | 39 | 27 | 20 | - | |
| | | 145 | 0.081 | 0.095 | 13 - 16 - 22 | 27 | 68 | 20.0 | 23.7 | 3.9 - 4.8 - 6.7 | 42 | 48 | 44 | 33 | 27 | - | |
| | | 170 | 0.111 | 0.131 | 14 - 17 - 24 | 31 | 80 | 27.6 | 32.5 | 4.2 - 5.2 - 7.3 | 45 | 51 | 48 | 38 | 33 | 12 | |
| | | 220 | 0.185 | 0.219 | 16 - 19 - 27 | 38 | 104 | 46.2 | 54.5 | 4.8 - 5.9 - 8.3 | 49 | 57 | 54 | 46 | 43 | 22 | |
| | 5' | 90 | 0.022 | 0.028 | 8 - 12 - 17 | - | 42 | 5.5 | 6.9 | 2.4 - 3.6 - 5.3 | 32 | 34 | 28 | 15 | - | - | |
| | | 150 | 0.061 | 0.076 | 13 - 16 - 23 | 24 | 71 | 15.2 | 19.0 | 4.0 - 4.8 - 6.8 | 41 | 45 | 41 | 31 | 25 | - | |
| 180 | | 0.088 | 0.110 | 14 - 17 - 25 | 29 | 85 | 21.8 | 27.4 | 4.3 - 5.3 - 7.5 | 44 | 49 | 46 | 37 | 32 | 11 | | |
| 210 | | 0.119 | 0.150 | 15 - 19 - 27 | 34 | 99 | 29.7 | 37.3 | 4.7 - 5.7 - 8.1 | 46 | 52 | 49 | 42 | 38 | 17 | | |
| 270 | | 0.197 | 0.248 | 17 - 21 - 30 | 41 | 127 | 49.1 | 61.7 | 5.3 - 6.5 - 9.2 | 50 | 58 | 56 | 50 | 47 | 27 | | |
| 10" Oval Inlet | 2' | 50 | 0.072 | 0.073 | 8 - 12 - 24 | - | 24 | 18.0 | 18.2 | 2.5 - 3.8 - 7.3 | 31 | 33 | 27 | - | - | - | |
| | | 95 | 0.260 | 0.264 | 16 - 23 - 33 | 22 | 45 | 64.8 | 65.6 | 4.8 - 7.1 - 10.1 | 41 | 47 | 43 | 22 | 15 | - | |
| | | 118 | 0.398 | 0.403 | 19 - 26 - 37 | 28 | 55 | 99.2 | 100.4 | 5.9 - 7.9 - 11.2 | 44 | 52 | 49 | 29 | 23 | - | |
| | | 140 | 0.565 | 0.572 | 23 - 28 - 40 | 33 | 66 | 140.8 | 142.5 | 7.0 - 8.6 - 12.2 | 47 | 56 | 53 | 34 | 30 | - | |
| | | 185 | 0.987 | 1.000 | 27 - 33 - 46 | 40 | 87 | 245.8 | 248.9 | 8.1 - 9.9 - 14.0 | 52 | 62 | 60 | 43 | 40 | 16 | |
| | 4' | 80 | 0.024 | 0.026 | 8 - 12 - 16 | - | 38 | 5.9 | 6.5 | 2.4 - 3.5 - 5.0 | 31 | 32 | 27 | - | - | - | |
| | | 140 | 0.073 | 0.080 | 13 - 15 - 22 | 22 | 66 | 18.2 | 19.9 | 3.8 - 4.7 - 6.6 | 40 | 45 | 41 | 25 | 19 | - | |
| | | 170 | 0.107 | 0.118 | 14 - 17 - 24 | 27 | 80 | 26.8 | 29.4 | 4.2 - 5.2 - 7.3 | 43 | 49 | 46 | 32 | 26 | - | |
| | | 200 | 0.149 | 0.163 | 15 - 18 - 26 | 32 | 94 | 37.0 | 40.7 | 4.6 - 5.6 - 7.9 | 46 | 53 | 50 | 37 | 32 | - | |
| | | 260 | 0.251 | 0.276 | 17 - 21 - 30 | 39 | 123 | 62.6 | 68.7 | 5.2 - 6.4 - 9.0 | 50 | 59 | 56 | 45 | 42 | 20 | |
| | 5' | 90 | 0.019 | 0.022 | 8 - 12 - 17 | - | 42 | 4.8 | 5.6 | 2.4 - 3.6 - 5.3 | 30 | 31 | 26 | - | - | - | |
| | | 160 | 0.061 | 0.070 | 13 - 16 - 23 | 22 | 76 | 15.2 | 17.6 | 4.1 - 5.0 - 7.1 | 40 | 44 | 40 | 27 | 20 | - | |
| 195 | | 0.091 | 0.105 | 15 - 18 - 26 | 28 | 92 | 22.6 | 26.1 | 4.5 - 5.5 - 7.8 | 43 | 49 | 45 | 33 | 28 | - | | |
| 230 | | 0.126 | 0.146 | 16 - 20 - 28 | 32 | 109 | 31.5 | 36.3 | 4.9 - 6.0 - 8.5 | 46 | 52 | 49 | 39 | 34 | 12 | | |
| 300 | | 0.215 | 0.248 | 18 - 23 - 32 | 40 | 142 | 53.6 | 61.7 | 5.6 - 6.8 - 9.7 | 50 | 58 | 56 | 47 | 44 | 23 | | |
| 12" Oval Inlet | 4' | 90 | 0.042 | 0.043 | 9 - 12 - 17 | - | 42 | 10.5 | 10.8 | 2.7 - 3.7 - 5.3 | 30 | 32 | 26 | - | - | - | |
| | | 170 | 0.151 | 0.155 | 14 - 17 - 24 | 21 | 80 | 37.5 | 38.5 | 4.2 - 5.2 - 7.3 | 40 | 46 | 42 | 22 | 15 | - | |
| | | 210 | 0.230 | 0.236 | 15 - 19 - 27 | 27 | 99 | 57.2 | 58.7 | 4.7 - 5.7 - 8.1 | 44 | 51 | 47 | 29 | 23 | - | |
| | | 250 | 0.326 | 0.334 | 17 - 21 - 29 | 32 | 118 | 81.1 | 83.2 | 5.1 - 6.2 - 8.8 | 47 | 54 | 52 | 34 | 30 | - | |
| | | 330 | 0.568 | 0.582 | 19 - 24 - 33 | 40 | 156 | 141.3 | 145.0 | 5.9 - 7.2 - 10.2 | 51 | 61 | 59 | 43 | 40 | 16 | |
| | 5' | 100 | 0.027 | 0.028 | 9 - 13 - 18 | - | 47 | 6.6 | 7.0 | 2.6 - 4.0 - 5.6 | 29 | 31 | 25 | - | - | - | |
| | | 190 | 0.096 | 0.101 | 15 - 18 - 25 | 21 | 90 | 24.0 | 25.2 | 4.4 - 5.4 - 7.7 | 40 | 45 | 41 | 23 | 16 | - | |
| | | 235 | 0.147 | 0.155 | 16 - 20 - 28 | 27 | 111 | 36.7 | 38.6 | 4.9 - 6.1 - 8.6 | 43 | 50 | 46 | 30 | 24 | - | |
| | | 280 | 0.209 | 0.220 | 18 - 22 - 31 | 32 | 132 | 52.1 | 54.7 | 5.4 - 6.6 - 9.4 | 46 | 53 | 51 | 35 | 31 | - | |
| | | 370 | 0.365 | 0.384 | 20 - 25 - 35 | 39 | 175 | 91.0 | 95.6 | 6.2 - 7.6 - 10.8 | 51 | 60 | 57 | 44 | 41 | 18 | |

NOTE: See notes on page F1-21.

PTBS Performance Data: Horizontal Throw

IP/METRIC DATA: PTBS, 1" SLOT WIDTH, 2-SLOT, 1-WAY (NO DAMPER)

PLENUM SLOT DIFFUSERS

| Linear Length | Air Flow | IP Data | | | NC | Metric Data | | | | Octave Band, dB | | | | | | | |
|----------------|----------------|---------|----------|-------|--------------|--------------|-----|----------|-------|------------------|-------------------|----|----|----|----|----|----|
| | | CFM | Pressure | | | 1-Way Throw | L/s | Pressure | | 1-Way Throw | 2 | 3 | 4 | 5 | 6 | 7 | |
| | | | "WG | "WG | | | | ft | Pa | | | | | | | | Pa |
| | | Ps | Pt | | | Ps | Pt | | | | | | | | | | |
| 1" Slot Width | 2' | 60 | 0.018 | 0.025 | 4 - 10 - 21 | - | 28 | 4.5 | 6.1 | 1.3 - 3.0 - 6.4 | 31 | 31 | 26 | 14 | - | - | |
| | | 105 | 0.056 | 0.075 | 12 - 18 - 35 | 24 | 50 | 13.8 | 18.7 | 3.7 - 5.6 - 10.6 | 40 | 44 | 40 | 32 | 26 | - | |
| | | 128 | 0.082 | 0.111 | 15 - 22 - 38 | 29 | 60 | 20.4 | 27.6 | 4.5 - 6.8 - 11.7 | 43 | 48 | 44 | 38 | 33 | 13 | |
| | | 150 | 0.113 | 0.153 | 17 - 26 - 42 | 34 | 71 | 28.2 | 38.2 | 5.3 - 8.0 - 12.6 | 46 | 52 | 49 | 43 | 39 | 20 | |
| | 6" Oval Inlet | 4' | 195 | 0.191 | 0.259 | 23 - 34 - 47 | 41 | 92 | 47.7 | 64.6 | 6.9 - 10.2 - 14.4 | 50 | 57 | 55 | 52 | 49 | 30 |
| | | | 75 | 0.015 | 0.025 | 3 - 7 - 15 | - | 35 | 3.6 | 6.1 | 1.0 - 2.2 - 4.7 | 27 | 25 | 19 | 12 | - | - |
| | | | 145 | 0.054 | 0.092 | 10 - 15 - 22 | 22 | 68 | 13.6 | 22.9 | 3.0 - 4.5 - 6.7 | 38 | 40 | 36 | 33 | 27 | - |
| | | | 180 | 0.084 | 0.142 | 12 - 17 - 25 | 28 | 85 | 20.9 | 35.3 | 3.8 - 5.3 - 7.5 | 41 | 45 | 41 | 40 | 35 | 18 |
| | | 5' | 215 | 0.120 | 0.202 | 15 - 19 - 27 | 33 | 101 | 29.8 | 50.4 | 4.5 - 5.8 - 8.2 | 44 | 49 | 45 | 46 | 42 | 25 |
| | | | 285 | 0.211 | 0.356 | 18 - 22 - 31 | 41 | 135 | 52.4 | 88.6 | 5.4 - 6.7 - 9.4 | 49 | 55 | 52 | 55 | 52 | 36 |
| | | | 85 | 0.016 | 0.029 | 3 - 7 - 16 | - | 40 | 4.0 | 7.2 | 0.9 - 2.1 - 4.8 | 27 | 24 | 19 | 13 | - | - |
| | | | 165 | 0.060 | 0.109 | 10 - 15 - 24 | 22 | 78 | 15.1 | 27.2 | 3.1 - 4.6 - 7.2 | 37 | 39 | 35 | 34 | 28 | 12 |
| 1" Slot Width | 2' | 205 | 0.093 | 0.168 | 13 - 19 - 26 | 28 | 97 | 23.2 | 41.9 | 3.8 - 5.7 - 8.0 | 41 | 44 | 40 | 41 | 36 | 20 | |
| | | 245 | 0.133 | 0.241 | 15 - 20 - 29 | 33 | 116 | 33.2 | 59.9 | 4.6 - 6.2 - 8.7 | 44 | 48 | 45 | 47 | 43 | 27 | |
| | | 325 | 0.235 | 0.423 | 19 - 23 - 33 | 41 | 153 | 58.4 | 105.4 | 5.8 - 7.1 - 10.1 | 49 | 54 | 52 | 56 | 54 | 38 | |
| | | 75 | 0.022 | 0.025 | 7 - 13 - 26 | - | 35 | 5.4 | 6.3 | 2.1 - 4.0 - 8.0 | 32 | 33 | 28 | 12 | - | - | |
| | 8" Oval Inlet | 4' | 130 | 0.065 | 0.076 | 15 - 23 - 39 | 24 | 61 | 16.1 | 19.0 | 4.6 - 6.9 - 11.8 | 41 | 45 | 41 | 29 | 23 | - |
| | | | 158 | 0.095 | 0.112 | 18 - 28 - 43 | 29 | 74 | 23.7 | 27.9 | 5.6 - 8.4 - 12.9 | 44 | 50 | 46 | 35 | 30 | - |
| | | | 185 | 0.131 | 0.155 | 22 - 32 - 46 | 34 | 87 | 32.6 | 38.5 | 6.5 - 9.8 - 14.0 | 46 | 53 | 50 | 41 | 36 | 15 |
| | | | 240 | 0.221 | 0.260 | 28 - 37 - 53 | 41 | 113 | 54.9 | 64.8 | 8.5 - 11.3 - 16.0 | 51 | 59 | 57 | 49 | 46 | 25 |
| | | 5' | 90 | 0.012 | 0.018 | 5 - 9 - 17 | - | 42 | 3.1 | 4.5 | 1.4 - 2.8 - 5.3 | 27 | 26 | 20 | - | - | - |
| | | | 175 | 0.047 | 0.068 | 12 - 17 - 24 | 21 | 83 | 11.6 | 16.9 | 3.7 - 5.2 - 7.4 | 38 | 41 | 37 | 30 | 24 | - |
| | | | 218 | 0.072 | 0.105 | 15 - 19 - 27 | 27 | 103 | 18.0 | 26.1 | 4.5 - 5.8 - 8.2 | 42 | 46 | 42 | 37 | 32 | 13 |
| | | | 260 | 0.103 | 0.150 | 17 - 21 - 30 | 32 | 123 | 25.7 | 37.3 | 5.2 - 6.4 - 9.0 | 45 | 50 | 47 | 43 | 38 | 20 |
| 1" Slot Width | 2' | 345 | 0.181 | 0.263 | 20 - 24 - 34 | 40 | 163 | 45.2 | 65.6 | 6.0 - 7.3 - 10.4 | 49 | 56 | 54 | 52 | 49 | 31 | |
| | | 100 | 0.012 | 0.019 | 4 - 9 - 18 | - | 47 | 3.1 | 4.8 | 1.3 - 2.8 - 5.6 | 27 | 25 | 19 | - | - | - | |
| | | 190 | 0.044 | 0.069 | 12 - 17 - 25 | 20 | 90 | 11.1 | 17.3 | 3.5 - 5.3 - 7.7 | 37 | 39 | 35 | 30 | 23 | - | |
| | | 235 | 0.068 | 0.106 | 14 - 20 - 28 | 26 | 111 | 16.9 | 26.4 | 4.4 - 6.1 - 8.6 | 41 | 44 | 40 | 37 | 31 | 13 | |
| | 10" Oval Inlet | 4' | 280 | 0.096 | 0.150 | 17 - 22 - 31 | 31 | 132 | 24.0 | 37.5 | 5.2 - 6.6 - 9.4 | 43 | 48 | 45 | 42 | 38 | 20 |
| | | | 370 | 0.168 | 0.263 | 20 - 25 - 35 | 39 | 175 | 41.9 | 65.4 | 6.2 - 7.6 - 10.8 | 48 | 54 | 51 | 51 | 48 | 30 |
| | | | 90 | 0.030 | 0.033 | 10 - 16 - 31 | - | 42 | 7.5 | 8.2 | 3.0 - 4.8 - 9.6 | 33 | 35 | 30 | 11 | - | - |
| | | | 150 | 0.084 | 0.092 | 17 - 26 - 42 | 24 | 71 | 20.8 | 22.9 | 5.3 - 8.0 - 12.6 | 41 | 46 | 43 | 28 | 21 | - |
| | | 5' | 180 | 0.121 | 0.132 | 21 - 31 - 46 | 29 | 85 | 30.0 | 32.9 | 6.4 - 9.6 - 13.8 | 44 | 50 | 47 | 33 | 28 | - |
| | | | 210 | 0.164 | 0.180 | 24 - 35 - 49 | 33 | 99 | 40.8 | 44.8 | 7.4 - 10.6 - 15.0 | 47 | 54 | 51 | 38 | 34 | 12 |
| | | | 270 | 0.271 | 0.298 | 31 - 39 - 56 | 40 | 127 | 67.5 | 74.1 | 9.6 - 12.0 - 17.0 | 51 | 59 | 57 | 47 | 44 | 21 |
| | | | 120 | 0.017 | 0.022 | 8 - 12 - 20 | - | 57 | 4.2 | 5.5 | 2.5 - 3.8 - 6.1 | 30 | 30 | 25 | 12 | - | - |
| 1" Slot Width | 4' | 215 | 0.054 | 0.071 | 15 - 19 - 27 | 23 | 101 | 13.4 | 17.6 | 4.5 - 5.8 - 8.2 | 40 | 43 | 39 | 30 | 24 | - | |
| | | 263 | 0.080 | 0.105 | 17 - 21 - 30 | 29 | 124 | 20.0 | 26.2 | 5.2 - 6.4 - 9.1 | 43 | 48 | 44 | 37 | 32 | 12 | |
| | | 310 | 0.112 | 0.147 | 19 - 23 - 32 | 33 | 146 | 27.8 | 36.5 | 5.7 - 7.0 - 9.8 | 46 | 52 | 49 | 42 | 38 | 18 | |
| | | 405 | 0.191 | 0.250 | 21 - 26 - 37 | 41 | 191 | 47.5 | 62.3 | 6.5 - 8.0 - 11.2 | 50 | 58 | 55 | 51 | 48 | 28 | |
| | 5' | 130 | 0.015 | 0.021 | 7 - 12 - 21 | - | 61 | 3.7 | 5.3 | 2.1 - 3.6 - 6.4 | 29 | 29 | 23 | 11 | - | - | |
| | | 230 | 0.047 | 0.066 | 14 - 20 - 28 | 22 | 109 | 11.7 | 16.5 | 4.3 - 6.0 - 8.5 | 38 | 41 | 37 | 30 | 23 | - | |
| | | 280 | 0.070 | 0.098 | 17 - 22 - 31 | 27 | 132 | 17.4 | 24.5 | 5.2 - 6.6 - 9.4 | 42 | 46 | 42 | 36 | 31 | 11 | |
| | | 330 | 0.097 | 0.136 | 19 - 24 - 33 | 32 | 156 | 24.2 | 34.0 | 5.9 - 7.2 - 10.2 | 44 | 49 | 46 | 41 | 37 | 18 | |
| | 1" Slot Width | 4' | 430 | 0.165 | 0.232 | 22 - 27 - 38 | 39 | 203 | 41.0 | 57.7 | 6.7 - 8.2 - 11.6 | 49 | 55 | 53 | 50 | 47 | 28 |
| | | | 120 | 0.013 | 0.015 | 8 - 12 - 20 | - | 57 | 3.3 | 3.8 | 2.5 - 3.8 - 6.1 | 27 | 27 | 21 | - | - | - |
| | | | 250 | 0.058 | 0.067 | 17 - 21 - 29 | 21 | 118 | 14.5 | 16.6 | 5.1 - 6.2 - 8.8 | 39 | 44 | 40 | 26 | 19 | - |
| | | | 315 | 0.092 | 0.106 | 19 - 23 - 33 | 28 | 149 | 23.0 | 26.3 | 5.7 - 7.0 - 9.9 | 43 | 49 | 45 | 33 | 28 | - |
| 5' | | 380 | 0.134 | 0.154 | 21 - 25 - 36 | 33 | 179 | 33.4 | 38.3 | 6.3 - 7.7 - 10.9 | 46 | 53 | 50 | 39 | 35 | 13 | |
| | | 510 | 0.242 | 0.277 | 24 - 29 - 42 | 41 | 241 | 60.2 | 69.0 | 7.3 - 8.9 - 12.6 | 51 | 59 | 57 | 49 | 46 | 24 | |
| | | 140 | 0.012 | 0.015 | 8 - 13 - 22 | - | 66 | 3.1 | 3.8 | 2.5 - 3.9 - 6.6 | 27 | 27 | 21 | - | - | - | |
| | | 280 | 0.050 | 0.060 | 17 - 22 - 31 | 21 | 132 | 12.4 | 15.1 | 5.2 - 6.6 - 9.4 | 39 | 43 | 39 | 26 | 20 | - | |
| 12" Oval Inlet | | 5' | 350 | 0.078 | 0.094 | 20 - 24 - 34 | 27 | 165 | 19.4 | 23.5 | 6.0 - 7.4 - 10.5 | 42 | 48 | 44 | 34 | 28 | - |
| | | | 420 | 0.112 | 0.136 | 22 - 27 - 38 | 32 | 198 | 28.0 | 33.9 | 6.6 - 8.1 - 11.5 | 45 | 52 | 49 | 39 | 35 | 14 |
| | | | 560 | 0.200 | 0.242 | 25 - 31 - 44 | 40 | 264 | 49.7 | 60.2 | 7.6 - 9.4 - 13.2 | 50 | 58 | 56 | 49 | 46 | 25 |

NOTE: See notes on page F1-21.

© KRUEGER 2012

P T B S

PTBS Performance Data: Horizontal Throw

IP/METRIC DATA: PTBS, 1" SLOT WIDTH, 3-SLOT, 1-WAY (NO DAMPER)

| | Linear Length | IP Data | | | | NC | Metric Data | | | | Octave Band, dB | | | | | | |
|---------------------------------|---------------|----------|--------------|--------------|--------------|------|-------------|------------------|-------------------|-------------------|-----------------|----|----|----|----|----|--|
| | | Air Flow | Pressure | | 1-Way Throw | | Air Flow | Pressure | | 1-Way Throw | 2 | 3 | 4 | 5 | 6 | 7 | |
| | | | Ps | Pt | | | | Ps | Pt | | | | | | | | |
| | | CFM | "WG | "WG | ft | | L/s | Pa | Pa | m | | | | | | | |
| 1" Slot Width 6" Oval Inlet | 2' | 60 | 0.012 | 0.018 | 2 - 5 - 17 | - | 28 | 2.9 | 4.6 | 0.7 - 1.6 - 5.2 | 26 | 25 | 19 | - | - | - | |
| | | 120 | 0.047 | 0.073 | 9 - 17 - 34 | 21 | 57 | 11.8 | 18.2 | 2.9 - 5.2 - 10.4 | 38 | 40 | 36 | 31 | 24 | - | |
| | | 150 | 0.074 | 0.114 | 14 - 21 - 42 | 27 | 71 | 18.4 | 28.4 | 4.3 - 6.5 - 12.6 | 41 | 45 | 41 | 38 | 33 | 14 | |
| | | 180 | 0.107 | 0.164 | 17 - 26 - 46 | 33 | 85 | 26.5 | 40.9 | 5.2 - 7.8 - 13.8 | 44 | 49 | 46 | 44 | 40 | 21 | |
| | 240 | 0.189 | 0.292 | 23 - 34 - 53 | 40 | 113 | 47.2 | 72.8 | 6.9 - 10.4 - 16.0 | 49 | 56 | 53 | 53 | 50 | 33 | | |
| | 4' | 100 | 0.020 | 0.038 | 3 - 7 - 17 | - | 47 | 5.0 | 9.4 | 1.0 - 2.2 - 5.1 | 27 | 25 | 19 | 16 | - | - | |
| | | 180 | 0.064 | 0.122 | 10 - 15 - 25 | 22 | 85 | 16.1 | 30.5 | 3.1 - 4.6 - 7.5 | 37 | 38 | 34 | 35 | 29 | 13 | |
| | | 220 | 0.096 | 0.183 | 12 - 18 - 27 | 27 | 104 | 24.0 | 45.5 | 3.7 - 5.6 - 8.3 | 40 | 43 | 39 | 41 | 36 | 20 | |
| | | 260 | 0.135 | 0.255 | 15 - 21 - 30 | 32 | 123 | 33.5 | 63.6 | 4.4 - 6.4 - 9.0 | 43 | 46 | 43 | 47 | 43 | 27 | |
| | 340 | 0.230 | 0.437 | 19 - 24 - 34 | 39 | 160 | 57.3 | 108.7 | 5.8 - 7.3 - 10.3 | 47 | 52 | 50 | 55 | 53 | 37 | | |
| | 5' | 120 | 0.026 | 0.051 | 3 - 7 - 18 | - | 57 | 6.4 | 12.8 | 1.0 - 2.2 - 5.5 | 28 | 26 | 20 | 19 | - | - | |
| | | 210 | 0.078 | 0.157 | 10 - 16 - 27 | 23 | 99 | 19.5 | 39.1 | 3.0 - 4.8 - 8.1 | 37 | 38 | 34 | 37 | 31 | 16 | |
| 255 | | 0.115 | 0.232 | 13 - 19 - 29 | 28 | 120 | 28.7 | 57.6 | 3.9 - 5.8 - 8.9 | 40 | 43 | 39 | 43 | 38 | 23 | | |
| 300 | | 0.160 | 0.320 | 15 - 23 - 32 | 33 | 142 | 39.7 | 79.8 | 4.6 - 6.8 - 9.7 | 43 | 46 | 43 | 48 | 44 | 30 | | |
| 390 | 0.270 | 0.542 | 20 - 26 - 36 | 40 | 184 | 67.2 | 134.8 | 5.9 - 7.8 - 11.0 | 47 | 52 | 49 | 57 | 54 | 40 | | | |
| 1" Slot Width 8" Oval Inlet | 2' | 75 | 0.012 | 0.016 | 4 - 8 - 21 | - | 35 | 3.0 | 3.9 | 1.1 - 2.5 - 6.5 | 27 | 27 | 21 | - | - | - | |
| | | 145 | 0.045 | 0.059 | 14 - 21 - 41 | 21 | 68 | 11.1 | 14.7 | 4.2 - 6.3 - 12.4 | 38 | 41 | 37 | 28 | 21 | - | |
| | | 180 | 0.069 | 0.091 | 17 - 26 - 46 | 27 | 85 | 17.1 | 22.7 | 5.2 - 7.8 - 13.8 | 42 | 46 | 42 | 35 | 29 | - | |
| | | 215 | 0.098 | 0.130 | 20 - 31 - 50 | 32 | 101 | 24.4 | 32.3 | 6.2 - 9.3 - 15.1 | 45 | 50 | 47 | 40 | 36 | 16 | |
| | 285 | 0.172 | 0.228 | 27 - 41 - 57 | 39 | 135 | 42.9 | 56.8 | 8.2 - 12.3 - 17.4 | 49 | 56 | 54 | 49 | 46 | 27 | | |
| | 4' | 115 | 0.014 | 0.023 | 4 - 9 - 19 | - | 54 | 3.5 | 5.7 | 1.3 - 2.9 - 5.9 | 27 | 25 | 19 | 11 | - | - | |
| | | 225 | 0.053 | 0.088 | 13 - 19 - 28 | 22 | 106 | 13.3 | 22.0 | 3.8 - 5.7 - 8.4 | 38 | 40 | 36 | 33 | 27 | - | |
| | | 280 | 0.083 | 0.137 | 16 - 22 - 31 | 28 | 132 | 20.6 | 34.1 | 4.8 - 6.6 - 9.4 | 41 | 45 | 41 | 40 | 35 | 17 | |
| | | 335 | 0.118 | 0.196 | 19 - 24 - 34 | 33 | 158 | 29.5 | 48.8 | 5.7 - 7.2 - 10.2 | 44 | 49 | 46 | 46 | 42 | 24 | |
| | 445 | 0.209 | 0.346 | 22 - 27 - 39 | 41 | 210 | 52.1 | 86.0 | 6.8 - 8.3 - 11.8 | 49 | 55 | 53 | 55 | 52 | 35 | | |
| | 5' | 125 | 0.014 | 0.025 | 4 - 8 - 19 | - | 59 | 3.5 | 6.2 | 1.1 - 2.4 - 5.7 | 26 | 24 | 17 | 11 | - | - | |
| | | 245 | 0.054 | 0.095 | 12 - 18 - 29 | 21 | 116 | 13.4 | 23.7 | 3.7 - 5.6 - 8.7 | 37 | 39 | 34 | 33 | 26 | - | |
| 305 | | 0.083 | 0.148 | 15 - 23 - 32 | 27 | 144 | 20.8 | 36.8 | 4.6 - 6.9 - 9.8 | 41 | 43 | 40 | 40 | 35 | 18 | | |
| 365 | | 0.120 | 0.211 | 18 - 25 - 35 | 32 | 172 | 29.8 | 52.6 | 5.6 - 7.6 - 10.7 | 43 | 47 | 44 | 46 | 41 | 25 | | |
| 485 | 0.211 | 0.373 | 23 - 29 - 40 | 40 | 229 | 52.6 | 92.9 | 7.1 - 8.7 - 12.3 | 48 | 54 | 51 | 55 | 52 | 36 | | | |
| 1" Slot Width 10" Oval Inlet | 2' | 100 | 0.018 | 0.021 | 7 - 14 - 29 | - | 47 | 4.4 | 5.3 | 2.0 - 4.3 - 8.7 | 30 | 31 | 26 | - | - | - | |
| | | 180 | 0.057 | 0.069 | 17 - 26 - 46 | 23 | 85 | 14.2 | 17.1 | 5.2 - 7.8 - 13.8 | 40 | 44 | 40 | 28 | 22 | - | |
| | | 220 | 0.085 | 0.103 | 21 - 31 - 50 | 28 | 104 | 21.2 | 25.5 | 6.4 - 9.5 - 15.3 | 43 | 48 | 45 | 35 | 30 | - | |
| | | 260 | 0.119 | 0.143 | 25 - 37 - 55 | 33 | 123 | 29.5 | 35.7 | 7.5 - 11.3 - 16.6 | 46 | 52 | 49 | 40 | 36 | 15 | |
| | 340 | 0.203 | 0.245 | 32 - 44 - 63 | 40 | 160 | 50.5 | 61.0 | 9.8 - 13.5 - 19.0 | 50 | 58 | 56 | 49 | 46 | 25 | | |
| | 4' | 130 | 0.012 | 0.019 | 5 - 11 - 21 | - | 61 | 3.1 | 4.6 | 1.6 - 3.3 - 6.4 | 27 | 26 | 20 | - | - | - | |
| | | 250 | 0.046 | 0.069 | 14 - 21 - 29 | 21 | 118 | 11.5 | 17.1 | 4.3 - 6.2 - 8.8 | 38 | 40 | 36 | 30 | 24 | - | |
| | | 310 | 0.071 | 0.106 | 17 - 23 - 32 | 27 | 146 | 17.6 | 26.3 | 5.3 - 7.0 - 9.8 | 41 | 45 | 41 | 37 | 32 | 13 | |
| | | 370 | 0.101 | 0.150 | 20 - 25 - 35 | 32 | 175 | 25.1 | 37.5 | 6.2 - 7.6 - 10.8 | 44 | 49 | 46 | 43 | 38 | 20 | |
| | 490 | 0.177 | 0.264 | 23 - 29 - 41 | 40 | 231 | 44.0 | 65.7 | 7.1 - 8.7 - 12.4 | 49 | 55 | 53 | 52 | 49 | 31 | | |
| | 5' | 150 | 0.014 | 0.022 | 5 - 11 - 23 | - | 71 | 3.4 | 5.4 | 1.5 - 3.4 - 6.8 | 27 | 25 | 20 | 11 | - | - | |
| | | 290 | 0.051 | 0.081 | 15 - 22 - 31 | 22 | 137 | 12.6 | 20.2 | 4.4 - 6.6 - 9.5 | 38 | 40 | 36 | 32 | 26 | - | |
| 360 | | 0.078 | 0.125 | 18 - 25 - 35 | 28 | 170 | 19.4 | 31.1 | 5.5 - 7.5 - 10.6 | 41 | 45 | 41 | 39 | 34 | 16 | | |
| 430 | | 0.111 | 0.178 | 22 - 27 - 38 | 33 | 203 | 27.7 | 44.4 | 6.6 - 8.2 - 11.6 | 44 | 49 | 46 | 45 | 40 | 23 | | |
| 570 | 0.195 | 0.313 | 25 - 31 - 44 | 41 | 269 | 48.7 | 78.0 | 7.7 - 9.4 - 13.3 | 49 | 55 | 53 | 54 | 51 | 34 | | | |
| 1" Slot Width 12" Oval Inlet | 4' | 160 | 0.012 | 0.016 | 8 - 13 - 23 | - | 76 | 3.1 | 4.0 | 2.5 - 4.1 - 7.1 | 28 | 27 | 21 | - | - | - | |
| | | 310 | 0.047 | 0.060 | 17 - 23 - 32 | 21 | 146 | 11.7 | 14.9 | 5.3 - 7.0 - 9.8 | 38 | 42 | 38 | 27 | 21 | - | |
| | | 385 | 0.072 | 0.092 | 21 - 26 - 36 | 27 | 182 | 18.0 | 23.0 | 6.3 - 7.8 - 11.0 | 42 | 47 | 43 | 34 | 29 | - | |
| | | 460 | 0.103 | 0.132 | 23 - 28 - 39 | 32 | 217 | 25.7 | 32.8 | 6.9 - 8.5 - 12.0 | 45 | 51 | 48 | 40 | 36 | 15 | |
| | 610 | 0.181 | 0.231 | 26 - 32 - 45 | 40 | 288 | 45.1 | 57.6 | 8.0 - 9.8 - 13.8 | 50 | 57 | 55 | 49 | 46 | 26 | | |
| | 5' | 180 | 0.012 | 0.016 | 7 - 14 - 25 | - | 85 | 3.0 | 4.0 | 2.2 - 4.1 - 7.5 | 27 | 26 | 21 | - | - | - | |
| | | 350 | 0.045 | 0.061 | 18 - 24 - 34 | 21 | 165 | 11.2 | 15.3 | 5.3 - 7.4 - 10.5 | 38 | 41 | 37 | 28 | 22 | - | |
| | | 435 | 0.069 | 0.095 | 22 - 27 - 38 | 27 | 205 | 17.3 | 23.6 | 6.6 - 8.2 - 11.7 | 42 | 46 | 42 | 35 | 30 | - | |
| | | 520 | 0.099 | 0.136 | 24 - 30 - 42 | 32 | 245 | 24.7 | 33.8 | 7.4 - 9.0 - 12.7 | 45 | 50 | 47 | 41 | 37 | 17 | |
| | 690 | 0.175 | 0.239 | 28 - 34 - 48 | 40 | 326 | 43.5 | 59.4 | 8.5 - 10.4 - 14.7 | 49 | 56 | 54 | 50 | 47 | 28 | | |

NOTE: See notes on page F1-21.

PTBS Performance Data: Horizontal Throw

IP/METRIC DATA: PTBS, 1" SLOT WIDTH, 4-SLOT, 1-WAY (NO DAMPER)

PLENUM SLOT DIFFUSERS

| | Linear Length | IP Data | | | | NC | Metric Data | | | | Octave Band, dB | | | | | | |
|---------------------------------|---------------|----------|----------|--------------|--------------|-----------|-------------|----------|--------------------|-------------------|-----------------|----|----|----|----|----|--|
| | | Air Flow | Pressure | | 1-Way Throw | | Air Flow | Pressure | | 1-Way Throw | 2 | 3 | 4 | 5 | 6 | 7 | |
| | | | Ps | Pt | | | | Ps | Pt | | | | | | | | |
| | | CFM | "WG | "WG | ft | | L/s | Pa | Pa | m | | | | | | | |
| 1" Slot Width 6" Oval Inlet | 2' | 65 | 0.011 | 0.019 | 2 - 4 - 16 | - | 31 | 2.7 | 4.6 | 0.5 - 1.2 - 4.9 | 25 | 22 | 16 | - | - | - | |
| | | 135 | 0.047 | 0.080 | 8 - 17 - 33 | 20 | 64 | 11.8 | 19.9 | 2.4 - 5.1 - 10.1 | 37 | 38 | 34 | 31 | 24 | - | |
| | | 170 | 0.075 | 0.127 | 12 - 21 - 42 | 27 | 80 | 18.7 | 31.5 | 3.7 - 6.4 - 12.8 | 40 | 43 | 40 | 38 | 33 | 16 | |
| | | 205 | 0.109 | 0.184 | 17 - 25 - 49 | 32 | 97 | 27.1 | 45.8 | 5.1 - 7.7 - 14.8 | 43 | 48 | 44 | 44 | 40 | 23 | |
| | 275 | 0.196 | 0.331 | 23 - 34 - 56 | 40 | 130 | 48.8 | 82.5 | 6.9 - 10.3 - 17.1 | 48 | 54 | 51 | 54 | 51 | 34 | | |
| | 4' | 115 | 0.023 | 0.046 | 3 - 6 - 17 | - | 54 | 5.7 | 11.6 | 0.8 - 1.9 - 5.1 | 27 | 24 | 18 | 17 | - | - | |
| | | 215 | 0.080 | 0.162 | 10 - 16 - 27 | 22 | 101 | 19.8 | 40.4 | 2.9 - 4.8 - 8.2 | 37 | 38 | 33 | 37 | 31 | 16 | |
| | | 265 | 0.121 | 0.246 | 13 - 19 - 30 | 28 | 125 | 30.1 | 61.3 | 3.9 - 5.9 - 9.1 | 40 | 42 | 38 | 44 | 39 | 24 | |
| | | 315 | 0.171 | 0.348 | 15 - 23 - 33 | 33 | 149 | 42.5 | 86.7 | 4.6 - 7.0 - 9.9 | 43 | 46 | 43 | 49 | 45 | 31 | |
| | 5' | 415 | 0.296 | 0.604 | 20 - 26 - 37 | 41 | 196 | 73.8 | 150.4 | 6.1 - 8.1 - 11.4 | 48 | 52 | 50 | 58 | 56 | 41 | |
| | | 125 | 0.025 | 0.052 | 2 - 5 - 16 | - | 59 | 6.1 | 13.1 | 0.7 - 1.6 - 4.9 | 26 | 22 | 16 | 17 | - | - | |
| | | 245 | 0.094 | 0.201 | 9 - 16 - 29 | 23 | 116 | 23.5 | 50.2 | 2.7 - 4.8 - 8.7 | 37 | 37 | 33 | 38 | 32 | 18 | |
| 305 | | 0.146 | 0.312 | 13 - 20 - 32 | 29 | 144 | 36.3 | 77.7 | 4.0 - 6.0 - 9.8 | 40 | 42 | 38 | 45 | 41 | 27 | | |
| 1" Slot Width 8" Oval Inlet | 2' | 90 | 0.012 | 0.018 | 3 - 8 - 22 | - | 42 | 3.1 | 4.5 | 1.1 - 2.4 - 6.8 | 27 | 26 | 20 | - | - | - | |
| | | 180 | 0.049 | 0.072 | 14 - 22 - 44 | 22 | 85 | 12.3 | 17.9 | 4.2 - 6.8 - 13.5 | 39 | 42 | 37 | 31 | 25 | - | |
| | | 225 | 0.077 | 0.112 | 19 - 28 - 51 | 28 | 106 | 19.2 | 27.9 | 5.6 - 8.4 - 15.5 | 42 | 47 | 43 | 38 | 33 | 14 | |
| | | 270 | 0.111 | 0.161 | 22 - 33 - 56 | 33 | 127 | 27.7 | 40.2 | 6.8 - 10.1 - 17.0 | 45 | 51 | 47 | 44 | 40 | 21 | |
| | 360 | 0.198 | 0.287 | 30 - 44 - 64 | 41 | 170 | 49.2 | 71.4 | 9.0 - 13.5 - 19.6 | 50 | 57 | 55 | 53 | 51 | 32 | | |
| | 4' | 140 | 0.017 | 0.030 | 4 - 9 - 20 | - | 66 | 4.2 | 7.6 | 1.2 - 2.8 - 6.2 | 27 | 25 | 19 | 14 | - | - | |
| | | 260 | 0.058 | 0.105 | 13 - 19 - 30 | 22 | 123 | 14.5 | 26.1 | 3.8 - 5.8 - 9.0 | 37 | 39 | 35 | 34 | 28 | 11 | |
| | | 320 | 0.088 | 0.159 | 16 - 23 - 33 | 28 | 151 | 21.9 | 39.5 | 4.7 - 7.1 - 10.0 | 41 | 43 | 40 | 40 | 35 | 19 | |
| | | 380 | 0.124 | 0.224 | 18 - 25 - 36 | 32 | 179 | 30.9 | 55.7 | 5.6 - 7.7 - 10.9 | 43 | 47 | 44 | 46 | 42 | 26 | |
| | 5' | 500 | 0.215 | 0.387 | 24 - 29 - 41 | 40 | 236 | 53.5 | 96.4 | 7.2 - 8.8 - 12.5 | 48 | 53 | 51 | 55 | 52 | 36 | |
| | | 160 | 0.019 | 0.037 | 4 - 8 - 21 | - | 76 | 4.8 | 9.2 | 1.1 - 2.6 - 6.3 | 27 | 24 | 19 | 15 | - | - | |
| | | 300 | 0.068 | 0.130 | 13 - 20 - 32 | 22 | 142 | 16.9 | 32.3 | 4.0 - 5.9 - 9.7 | 37 | 38 | 34 | 36 | 29 | 14 | |
| 370 | | 0.103 | 0.198 | 16 - 24 - 35 | 28 | 175 | 25.7 | 49.2 | 4.9 - 7.3 - 10.8 | 41 | 43 | 39 | 42 | 37 | 22 | | |
| 1" Slot Width 10" Oval Inlet | 2' | 100 | 0.012 | 0.015 | 4 - 10 - 25 | - | 47 | 2.9 | 3.8 | 1.3 - 2.9 - 7.5 | 27 | 26 | 21 | - | - | - | |
| | | 200 | 0.047 | 0.061 | 16 - 25 - 48 | 21 | 94 | 11.6 | 15.2 | 5.0 - 7.5 - 14.6 | 38 | 42 | 38 | 28 | 21 | - | |
| | | 250 | 0.073 | 0.095 | 21 - 31 - 54 | 27 | 118 | 18.1 | 23.7 | 6.3 - 9.4 - 16.3 | 42 | 47 | 43 | 35 | 30 | - | |
| | | 300 | 0.105 | 0.137 | 25 - 37 - 59 | 32 | 142 | 26.1 | 34.2 | 7.5 - 11.3 - 17.9 | 45 | 51 | 48 | 41 | 37 | 17 | |
| | 400 | 0.186 | 0.244 | 33 - 48 - 68 | 40 | 189 | 46.3 | 60.8 | 10.0 - 14.6 - 20.6 | 50 | 57 | 55 | 50 | 48 | 28 | | |
| | 4' | 150 | 0.013 | 0.021 | 5 - 10 - 22 | - | 71 | 3.2 | 5.2 | 1.4 - 3.2 - 6.6 | 26 | 24 | 19 | - | - | - | |
| | | 290 | 0.048 | 0.078 | 14 - 21 - 31 | 21 | 137 | 11.9 | 19.5 | 4.3 - 6.4 - 9.5 | 37 | 39 | 35 | 31 | 25 | - | |
| | | 360 | 0.074 | 0.121 | 17 - 25 - 35 | 27 | 170 | 18.4 | 30.1 | 5.3 - 7.5 - 10.6 | 41 | 44 | 40 | 38 | 33 | 15 | |
| | | 430 | 0.105 | 0.172 | 21 - 27 - 38 | 32 | 203 | 26.3 | 43.0 | 6.3 - 8.2 - 11.6 | 44 | 48 | 45 | 44 | 39 | 22 | |
| | 5' | 570 | 0.185 | 0.303 | 25 - 31 - 44 | 40 | 269 | 46.1 | 75.5 | 7.7 - 9.4 - 13.3 | 48 | 54 | 52 | 53 | 50 | 33 | |
| | | 175 | 0.015 | 0.026 | 5 - 10 - 23 | - | 83 | 3.7 | 6.4 | 1.4 - 3.1 - 6.9 | 27 | 24 | 18 | 12 | - | - | |
| | | 325 | 0.051 | 0.089 | 14 - 21 - 33 | 21 | 153 | 12.7 | 22.2 | 4.3 - 6.4 - 10.1 | 37 | 38 | 34 | 32 | 25 | - | |
| 400 | | 0.077 | 0.135 | 17 - 26 - 37 | 26 | 189 | 19.2 | 33.7 | 5.3 - 7.9 - 11.2 | 40 | 43 | 39 | 39 | 33 | 16 | | |
| 1" Slot Width 12" Oval Inlet | 4' | 475 | 0.109 | 0.191 | 21 - 28 - 40 | 31 | 224 | 27.1 | 47.5 | 6.3 - 8.6 - 12.2 | 43 | 47 | 43 | 44 | 40 | 23 | |
| | | 625 | 0.189 | 0.330 | 27 - 33 - 46 | 39 | 295 | 47.0 | 82.2 | 8.1 - 9.9 - 14.0 | 47 | 53 | 50 | 53 | 50 | 34 | |
| | | 190 | 0.012 | 0.017 | 7 - 14 - 25 | - | 90 | 3.1 | 4.3 | 2.3 - 4.2 - 7.7 | 27 | 27 | 21 | - | - | - | |
| | | 370 | 0.047 | 0.065 | 18 - 25 - 35 | 22 | 175 | 11.6 | 16.2 | 5.5 - 7.6 - 10.8 | 38 | 41 | 37 | 29 | 23 | - | |
| | 5' | 460 | 0.072 | 0.101 | 22 - 28 - 39 | 28 | 217 | 17.9 | 25.0 | 6.8 - 8.5 - 12.0 | 42 | 46 | 43 | 36 | 31 | 12 | |
| | | 550 | 0.103 | 0.144 | 25 - 30 - 43 | 32 | 260 | 25.6 | 35.8 | 7.6 - 9.3 - 13.1 | 45 | 50 | 47 | 42 | 38 | 19 | |
| | | 730 | 0.181 | 0.253 | 29 - 35 - 50 | 40 | 345 | 45.2 | 63.1 | 8.7 - 10.7 - 15.1 | 49 | 57 | 54 | 51 | 48 | 30 | |
| | | 210 | 0.012 | 0.018 | 6 - 14 - 27 | - | 99 | 3.0 | 4.4 | 2.0 - 4.2 - 8.1 | 27 | 25 | 19 | - | - | - | |
| | 5' | 410 | 0.045 | 0.068 | 18 - 26 - 37 | 21 | 193 | 11.3 | 16.9 | 5.4 - 8.0 - 11.3 | 38 | 40 | 36 | 30 | 23 | - | |
| | | 510 | 0.070 | 0.105 | 22 - 29 - 42 | 27 | 241 | 17.5 | 26.2 | 6.7 - 8.9 - 12.6 | 41 | 45 | 41 | 37 | 31 | 13 | |
| | | 610 | 0.100 | 0.150 | 26 - 32 - 45 | 32 | 288 | 25.0 | 37.5 | 8.0 - 9.8 - 13.8 | 44 | 49 | 46 | 43 | 38 | 20 | |
| | | 810 | 0.177 | 0.265 | 30 - 37 - 52 | 40 | 382 | 44.0 | 66.1 | 9.2 - 11.2 - 15.9 | 49 | 55 | 53 | 52 | 49 | 31 | |

NOTE: See notes on page F1-21.

PTBS

© KRUEGER 2012

PTBS Performance Data: Horizontal Throw

IP/METRIC DATA: PTBS, 1 1/2" SLOT WIDTH, 1-SLOT, 1-WAY (NO DAMPER)

| | | IP Data | | | | NC | Metric Data | | | | Octave Band, dB | | | | | | |
|------------------------------------|---------------------------------|----------|----------|--------------|--------------|-----------|-------------|----------|------------------|-------------------|-----------------|----|----|----|----|----|---|
| | | Air Flow | Pressure | | 1-Way Throw | | Air Flow | Pressure | | 1-Way Throw | | | | | | | |
| | | | Ps | Pt | | | | ft | L/s | | Pa | Pa | m | 2 | 3 | 4 | 5 |
| Linear Length | CFM | "WG | "WG | ft | | L/s | Pa | Pa | m | 2 | 3 | 4 | 5 | 6 | 7 | | |
| 1 1/2" Slot Width | 2' | 40 | 0.017 | 0.020 | 3 - 7 - 16 | - | 19 | 4.3 | 5.0 | 0.9 - 2.0 - 4.9 | 32 | 31 | 22 | - | - | - | |
| | | 75 | 0.060 | 0.070 | 10 - 15 - 29 | 24 | 35 | 15.0 | 17.5 | 3.1 - 4.6 - 8.9 | 43 | 46 | 39 | 28 | 22 | 14 | |
| | | 93 | 0.091 | 0.107 | 12 - 19 - 33 | 30 | 44 | 22.7 | 26.5 | 3.8 - 5.7 - 9.9 | 47 | 50 | 45 | 34 | 29 | 21 | |
| | | 110 | 0.129 | 0.151 | 15 - 22 - 36 | 35 | 52 | 32.2 | 37.5 | 4.5 - 6.7 - 10.8 | 50 | 54 | 49 | 40 | 35 | 27 | |
| | 4' | 145 | 0.224 | 0.262 | 19 - 29 - 41 | 42 | 68 | 55.9 | 65.2 | 5.9 - 8.8 - 12.4 | 55 | 61 | 57 | 48 | 45 | 36 | |
| | | 60 | 0.015 | 0.021 | 3 - 7 - 14 | - | 28 | 3.6 | 5.2 | 1.0 - 2.2 - 4.3 | 31 | 26 | 18 | - | - | - | |
| | | 105 | 0.044 | 0.064 | 8 - 12 - 19 | 23 | 50 | 11.1 | 16.0 | 2.5 - 3.8 - 5.7 | 41 | 39 | 33 | 25 | 26 | 22 | |
| | | 128 | 0.066 | 0.095 | 10 - 15 - 21 | 28 | 60 | 16.3 | 23.6 | 3.1 - 4.5 - 6.3 | 44 | 43 | 38 | 31 | 32 | 28 | |
| | 6" Oval Inlet | 150 | 0.091 | 0.131 | 12 - 16 - 23 | 33 | 71 | 22.6 | 32.6 | 3.6 - 4.8 - 6.8 | 47 | 47 | 43 | 36 | 38 | 34 | |
| | | 195 | 0.153 | 0.221 | 15 - 18 - 26 | 40 | 92 | 38.2 | 55.1 | 4.5 - 5.5 - 7.8 | 51 | 53 | 50 | 44 | 47 | 43 | |
| | | 70 | 0.016 | 0.024 | 3 - 7 - 15 | - | 33 | 3.9 | 6.1 | 1.0 - 2.1 - 4.5 | 31 | 25 | 17 | - | - | - | |
| | | 120 | 0.046 | 0.072 | 9 - 13 - 20 | 23 | 57 | 11.5 | 17.9 | 2.6 - 3.9 - 6.1 | 40 | 37 | 32 | 24 | 28 | 25 | |
| 5' | 145 | 0.068 | 0.105 | 10 - 15 - 22 | 28 | 68 | 16.8 | 26.2 | 3.1 - 4.7 - 6.7 | 43 | 42 | 37 | 30 | 34 | 32 | | |
| | 170 | 0.093 | 0.144 | 12 - 17 - 24 | 33 | 80 | 23.1 | 36.0 | 3.7 - 5.2 - 7.3 | 46 | 45 | 41 | 35 | 40 | 37 | | |
| | 220 | 0.155 | 0.242 | 16 - 19 - 27 | 40 | 104 | 38.7 | 60.2 | 4.7 - 5.9 - 8.3 | 51 | 51 | 48 | 43 | 48 | 46 | | |
| | 50 | 0.029 | 0.030 | 5 - 10 - 20 | - | 24 | 7.1 | 7.6 | 1.4 - 3.1 - 6.1 | 34 | 35 | 25 | - | - | - | | |
| 1 1/2" Slot Width | 2' | 90 | 0.093 | 0.099 | 12 - 18 - 32 | 23 | 42 | 23.2 | 24.5 | 3.7 - 5.5 - 9.8 | 44 | 49 | 41 | 28 | 18 | - | |
| | | 110 | 0.139 | 0.147 | 15 - 22 - 36 | 29 | 52 | 34.6 | 36.7 | 4.5 - 6.7 - 10.8 | 48 | 53 | 47 | 35 | 25 | 13 | |
| | | 130 | 0.194 | 0.206 | 17 - 26 - 39 | 33 | 61 | 48.3 | 51.2 | 5.3 - 8.0 - 11.8 | 50 | 57 | 51 | 40 | 30 | 19 | |
| | | 170 | 0.332 | 0.352 | 23 - 31 - 44 | 41 | 80 | 82.6 | 87.6 | 6.9 - 9.5 - 13.5 | 55 | 63 | 59 | 48 | 39 | 28 | |
| | 4' | 75 | 0.016 | 0.020 | 5 - 9 - 16 | - | 35 | 4.0 | 5.0 | 1.5 - 2.7 - 4.8 | 32 | 30 | 21 | - | - | - | |
| | | 135 | 0.053 | 0.065 | 11 - 15 - 21 | 24 | 64 | 13.1 | 16.2 | 3.3 - 4.6 - 6.5 | 43 | 44 | 37 | 27 | 24 | 16 | |
| | | 165 | 0.078 | 0.097 | 13 - 17 - 24 | 29 | 78 | 19.5 | 24.2 | 4.0 - 5.1 - 7.2 | 46 | 48 | 43 | 33 | 30 | 23 | |
| | | 195 | 0.110 | 0.136 | 15 - 18 - 26 | 34 | 92 | 27.3 | 33.8 | 4.5 - 5.5 - 7.8 | 49 | 52 | 47 | 39 | 36 | 29 | |
| | 8" Oval Inlet | 255 | 0.187 | 0.232 | 17 - 21 - 29 | 41 | 120 | 46.7 | 57.8 | 5.2 - 6.3 - 8.9 | 54 | 58 | 55 | 47 | 45 | 38 | |
| | | 85 | 0.015 | 0.020 | 5 - 9 - 17 | - | 40 | 3.8 | 5.0 | 1.4 - 2.7 - 5.2 | 32 | 28 | 20 | - | - | - | |
| | | 145 | 0.044 | 0.059 | 10 - 15 - 22 | 22 | 68 | 11.0 | 14.6 | 3.1 - 4.7 - 6.7 | 41 | 41 | 34 | 25 | 23 | 18 | |
| | | 175 | 0.065 | 0.086 | 12 - 17 - 24 | 28 | 83 | 16.1 | 21.3 | 3.8 - 5.2 - 7.4 | 44 | 45 | 39 | 31 | 30 | 24 | |
| 5' | 205 | 0.089 | 0.117 | 15 - 19 - 26 | 32 | 97 | 22.0 | 29.3 | 4.4 - 5.7 - 8.0 | 47 | 49 | 44 | 36 | 35 | 30 | | |
| | 265 | 0.148 | 0.196 | 17 - 21 - 30 | 39 | 125 | 36.8 | 48.9 | 5.3 - 6.4 - 9.1 | 52 | 55 | 51 | 44 | 44 | 38 | | |
| | 70 | 0.078 | 0.079 | 9 - 14 - 28 | 12 | 33 | 19.3 | 19.8 | 2.8 - 4.3 - 8.6 | 38 | 42 | 33 | 17 | - | - | | |
| | 110 | 0.192 | 0.196 | 15 - 22 - 36 | 25 | 52 | 47.7 | 48.8 | 4.5 - 6.7 - 10.8 | 46 | 53 | 45 | 31 | 17 | - | | |
| 1 1/2" Slot Width | 2' | 130 | 0.268 | 0.274 | 17 - 26 - 39 | 29 | 61 | 66.7 | 68.2 | 5.3 - 8.0 - 11.8 | 49 | 56 | 50 | 36 | 23 | - | |
| | | 150 | 0.356 | 0.365 | 20 - 29 - 42 | 33 | 71 | 88.7 | 90.8 | 6.1 - 8.9 - 12.6 | 51 | 60 | 54 | 41 | 28 | 14 | |
| | | 190 | 0.572 | 0.585 | 26 - 33 - 47 | 40 | 90 | 142.4 | 145.6 | 7.8 - 10.1 - 14.2 | 55 | 65 | 60 | 48 | 36 | 22 | |
| | | 90 | 0.021 | 0.024 | 7 - 11 - 17 | - | 42 | 5.3 | 6.0 | 2.2 - 3.3 - 5.3 | 34 | 33 | 24 | 11 | - | - | |
| | 4' | 150 | 0.059 | 0.067 | 12 - 16 - 23 | 23 | 71 | 14.7 | 16.7 | 3.6 - 4.8 - 6.8 | 43 | 45 | 38 | 27 | 20 | - | |
| | | 180 | 0.085 | 0.097 | 14 - 17 - 25 | 28 | 85 | 21.2 | 24.1 | 4.3 - 5.3 - 7.5 | 46 | 50 | 43 | 32 | 26 | 17 | |
| | | 210 | 0.116 | 0.132 | 15 - 19 - 27 | 32 | 99 | 28.8 | 32.8 | 4.7 - 5.7 - 8.1 | 49 | 53 | 48 | 37 | 31 | 22 | |
| | | 270 | 0.191 | 0.218 | 17 - 21 - 30 | 39 | 127 | 47.7 | 54.3 | 5.3 - 6.5 - 9.2 | 53 | 59 | 54 | 45 | 40 | 31 | |
| | 5' | 100 | 0.018 | 0.021 | 6 - 11 - 18 | - | 47 | 4.4 | 5.3 | 1.9 - 3.2 - 5.6 | 33 | 31 | 22 | - | - | - | |
| | | 170 | 0.051 | 0.062 | 12 - 17 - 24 | 23 | 80 | 12.7 | 15.3 | 3.7 - 5.2 - 7.3 | 42 | 44 | 37 | 26 | 22 | 14 | |
| | | 205 | 0.074 | 0.090 | 15 - 19 - 26 | 28 | 97 | 18.5 | 22.3 | 4.4 - 5.7 - 8.0 | 45 | 48 | 42 | 32 | 28 | 20 | |
| | | 240 | 0.102 | 0.123 | 16 - 20 - 28 | 32 | 113 | 25.4 | 30.6 | 5.0 - 6.1 - 8.7 | 48 | 52 | 46 | 37 | 33 | 26 | |
| 1 1/2" Slot Width | 4' | 310 | 0.170 | 0.205 | 19 - 23 - 32 | 39 | 146 | 42.3 | 51.0 | 5.7 - 7.0 - 9.8 | 53 | 57 | 53 | 45 | 42 | 34 | |
| | | 100 | 0.031 | 0.033 | 8 - 12 - 18 | - | 47 | 7.8 | 8.2 | 2.4 - 3.6 - 5.6 | 33 | 35 | 25 | - | - | - | |
| | | 180 | 0.102 | 0.106 | 14 - 17 - 25 | 22 | 85 | 25.4 | 26.4 | 4.3 - 5.3 - 7.5 | 43 | 48 | 41 | 27 | 15 | - | |
| | | 220 | 0.152 | 0.159 | 16 - 19 - 27 | 27 | 104 | 37.9 | 39.5 | 4.8 - 5.9 - 8.3 | 47 | 53 | 46 | 33 | 22 | - | |
| | 5' | 260 | 0.213 | 0.222 | 17 - 21 - 30 | 32 | 123 | 52.9 | 55.2 | 5.2 - 6.4 - 9.0 | 50 | 57 | 51 | 38 | 27 | 15 | |
| | | 340 | 0.363 | 0.379 | 20 - 24 - 34 | 39 | 160 | 90.5 | 94.4 | 5.9 - 7.3 - 10.3 | 55 | 63 | 58 | 47 | 37 | 24 | |
| | | 110 | 0.021 | 0.023 | 8 - 12 - 19 | - | 52 | 5.3 | 5.7 | 2.4 - 3.6 - 5.9 | 32 | 32 | 22 | - | - | - | |
| | | 200 | 0.070 | 0.075 | 14 - 18 - 26 | 21 | 94 | 17.4 | 18.8 | 4.3 - 5.6 - 7.9 | 42 | 46 | 39 | 26 | 16 | - | |
| | 12" Oval Inlet | 245 | 0.105 | 0.113 | 17 - 20 - 29 | 27 | 116 | 26.1 | 28.1 | 5.1 - 6.2 - 8.7 | 46 | 51 | 44 | 32 | 23 | 12 | |
| | | 290 | 0.147 | 0.158 | 18 - 22 - 31 | 31 | 137 | 36.6 | 39.4 | 5.5 - 6.7 - 9.5 | 49 | 55 | 49 | 37 | 29 | 18 | |
| | | 380 | 0.252 | 0.272 | 21 - 25 - 36 | 39 | 179 | 62.9 | 67.7 | 6.3 - 7.7 - 10.9 | 54 | 61 | 56 | 46 | 38 | 27 | |

NOTE: See notes on page F1-21.

PTBS Performance Data: Horizontal Throw

IP/METRIC DATA: PTBS, 1 1/2" SLOT WIDTH, 2-SLOT, 1-WAY (NO DAMPER)

PLENUM SLOT DIFFUSERS

| | Linear Length | IP Data | | | | NC | Metric Data | | | | Octave Band, dB | | | | | | |
|-------------------|----------------|----------|----------|-------|--------------|--------------|-------------|-----------|------|------------------|-------------------|----|----|----|----|----|----|
| | | Air Flow | Pressure | | 1-Way Throw | | Air Flow | Pressures | | 1-Way Throw | 2 | 3 | 4 | 5 | 6 | 7 | |
| | | | Ps | Pt | | | | Ps | Pt | | | | | | | | |
| | | CFM | "WG | "WG | ft | | L/s | Pa | Pa | m | | | | | | | |
| 1 1/2" Slot Width | 2' | 60 | 0.015 | 0.021 | 2 - 5 - 17 | - | 28 | 3.6 | 5.2 | 0.7 - 1.6 - 5.2 | 31 | 26 | 18 | - | - | - | |
| | | 105 | 0.044 | 0.064 | 7 - 15 - 30 | 23 | 50 | 11.1 | 16.0 | 2.2 - 4.6 - 9.1 | 41 | 39 | 33 | 25 | 26 | 22 | |
| | | 128 | 0.066 | 0.095 | 11 - 18 - 36 | 28 | 60 | 16.3 | 23.6 | 3.2 - 5.5 - 11.1 | 44 | 43 | 38 | 31 | 32 | 28 | |
| | | 150 | 0.091 | 0.131 | 14 - 21 - 42 | 33 | 71 | 22.6 | 32.6 | 4.3 - 6.5 - 12.6 | 47 | 47 | 43 | 36 | 38 | 34 | |
| | 6" Oval Inlet | 4' | 195 | 0.153 | 0.221 | 19 - 28 - 47 | 40 | 92 | 38.2 | 55.1 | 5.6 - 8.5 - 14.4 | 51 | 53 | 50 | 44 | 47 | 43 |
| | | | 70 | 0.011 | 0.019 | 2 - 3 - 12 | - | 33 | 2.7 | 4.9 | 0.5 - 1.1 - 3.6 | 25 | 15 | - | - | - | - |
| | | | 140 | 0.043 | 0.078 | 6 - 12 - 22 | 20 | 66 | 10.7 | 19.4 | 1.9 - 3.6 - 6.6 | 37 | 31 | 25 | 20 | 28 | 28 |
| | | | 175 | 0.067 | 0.122 | 10 - 15 - 24 | 26 | 83 | 16.7 | 30.3 | 2.9 - 4.5 - 7.4 | 41 | 36 | 32 | 27 | 35 | 36 |
| | | 5' | 210 | 0.097 | 0.175 | 12 - 18 - 27 | 31 | 99 | 24.0 | 43.7 | 3.6 - 5.4 - 8.1 | 44 | 40 | 37 | 33 | 41 | 42 |
| | | | 280 | 0.172 | 0.312 | 16 - 22 - 31 | 39 | 132 | 42.8 | 77.6 | 4.8 - 6.6 - 9.4 | 49 | 47 | 44 | 41 | 51 | 52 |
| | | | 80 | 0.012 | 0.024 | 1 - 3 - 12 | - | 38 | 3.0 | 5.9 | 0.4 - 1.0 - 3.7 | 24 | 13 | - | - | - | - |
| | | | 160 | 0.049 | 0.094 | 6 - 12 - 23 | 20 | 76 | 12.1 | 23.5 | 1.8 - 3.7 - 7.1 | 37 | 29 | 24 | 20 | 30 | 31 |
| 1 1/2" Slot Width | 2' | 200 | 0.076 | 0.147 | 9 - 15 - 26 | 26 | 94 | 18.9 | 36.7 | 2.8 - 4.6 - 7.9 | 40 | 35 | 30 | 27 | 37 | 39 | |
| | | 240 | 0.109 | 0.212 | 12 - 18 - 28 | 31 | 113 | 27.2 | 52.9 | 3.7 - 5.5 - 8.7 | 44 | 39 | 35 | 32 | 43 | 45 | |
| | | 320 | 0.194 | 0.377 | 16 - 23 - 33 | 39 | 151 | 48.4 | 94.0 | 4.9 - 7.1 - 10.0 | 49 | 46 | 43 | 41 | 53 | 55 | |
| | | 75 | 0.016 | 0.020 | 4 - 8 - 21 | - | 35 | 4.0 | 5.0 | 1.1 - 2.5 - 6.5 | 32 | 30 | 21 | - | - | - | |
| | 8" Oval Inlet | 4' | 135 | 0.053 | 0.065 | 12 - 19 - 39 | 24 | 64 | 13.1 | 16.2 | 3.6 - 5.9 - 11.7 | 43 | 44 | 37 | 27 | 24 | 16 |
| | | | 165 | 0.078 | 0.097 | 16 - 24 - 44 | 29 | 78 | 19.5 | 24.2 | 4.8 - 7.2 - 13.3 | 46 | 48 | 43 | 33 | 30 | 23 |
| | | | 195 | 0.110 | 0.136 | 19 - 28 - 47 | 34 | 92 | 27.3 | 33.8 | 5.6 - 8.5 - 14.4 | 49 | 52 | 47 | 39 | 36 | 29 |
| | | | 255 | 0.187 | 0.232 | 24 - 36 - 54 | 41 | 120 | 46.7 | 57.8 | 7.4 - 11.1 - 16.5 | 54 | 58 | 55 | 47 | 45 | 38 |
| | | 5' | 90 | 0.010 | 0.016 | 3 - 6 - 15 | - | 42 | 2.5 | 3.9 | 0.8 - 1.8 - 4.6 | 27 | 20 | 11 | - | - | - |
| | | | 180 | 0.040 | 0.063 | 10 - 15 - 25 | 21 | 85 | 10.1 | 15.6 | 3.1 - 4.6 - 7.5 | 39 | 36 | 30 | 22 | 25 | 23 |
| | | | 225 | 0.063 | 0.098 | 13 - 19 - 28 | 27 | 106 | 15.7 | 24.4 | 3.8 - 5.7 - 8.4 | 43 | 41 | 36 | 29 | 33 | 30 |
| | | | 270 | 0.091 | 0.141 | 15 - 21 - 30 | 32 | 127 | 22.6 | 35.1 | 4.6 - 6.5 - 9.2 | 46 | 45 | 41 | 35 | 39 | 37 |
| 1 1/2" Slot Width | 2' | 360 | 0.161 | 0.251 | 20 - 25 - 35 | 40 | 170 | 40.2 | 62.5 | 6.1 - 7.5 - 10.6 | 51 | 52 | 49 | 44 | 49 | 47 | |
| | | 100 | 0.010 | 0.017 | 2 - 5 - 15 | - | 47 | 2.5 | 4.3 | 0.7 - 1.5 - 4.6 | 26 | 17 | - | - | - | - | |
| | | 200 | 0.041 | 0.068 | 9 - 15 - 26 | 21 | 94 | 10.2 | 17.1 | 2.8 - 4.6 - 7.9 | 38 | 33 | 28 | 21 | 26 | 25 | |
| | | 250 | 0.064 | 0.107 | 13 - 19 - 29 | 27 | 118 | 15.9 | 26.6 | 3.8 - 5.7 - 8.8 | 42 | 39 | 34 | 28 | 34 | 33 | |
| | 10" Oval Inlet | 4' | 300 | 0.092 | 0.154 | 15 - 23 - 32 | 32 | 142 | 22.9 | 38.4 | 4.6 - 6.8 - 9.7 | 45 | 43 | 39 | 34 | 40 | 39 |
| | | | 400 | 0.164 | 0.274 | 20 - 26 - 37 | 40 | 189 | 40.7 | 68.2 | 6.1 - 7.9 - 11.2 | 50 | 50 | 47 | 43 | 50 | 49 |
| | | | 90 | 0.021 | 0.024 | 5 - 12 - 26 | - | 42 | 5.3 | 6.0 | 1.6 - 3.6 - 7.8 | 34 | 33 | 24 | 11 | - | - |
| | | | 160 | 0.067 | 0.077 | 15 - 23 - 43 | 25 | 76 | 16.7 | 19.1 | 4.6 - 6.9 - 13.1 | 44 | 47 | 40 | 29 | 22 | 13 |
| | | 5' | 195 | 0.100 | 0.114 | 19 - 28 - 47 | 30 | 92 | 24.9 | 28.3 | 5.6 - 8.5 - 14.4 | 47 | 51 | 46 | 35 | 29 | 20 |
| | | | 230 | 0.139 | 0.158 | 22 - 33 - 51 | 35 | 109 | 34.6 | 39.4 | 6.6 - 10.0 - 15.6 | 50 | 55 | 50 | 40 | 34 | 25 |
| | | | 300 | 0.236 | 0.269 | 29 - 42 - 59 | 42 | 142 | 58.9 | 67.0 | 8.7 - 12.6 - 17.9 | 55 | 61 | 57 | 48 | 43 | 34 |
| | | | 100 | 0.009 | 0.013 | 3 - 7 - 17 | - | 47 | 2.3 | 3.2 | 1.0 - 2.2 - 5.1 | 27 | 21 | 12 | - | - | - |
| 1 1/2" Slot Width | 2' | 210 | 0.041 | 0.057 | 12 - 18 - 27 | 21 | 99 | 10.1 | 14.1 | 3.6 - 5.4 - 8.1 | 40 | 39 | 32 | 24 | 23 | 19 | |
| | | 265 | 0.065 | 0.090 | 15 - 21 - 30 | 28 | 125 | 16.1 | 22.5 | 4.5 - 6.4 - 9.1 | 44 | 44 | 39 | 31 | 31 | 27 | |
| | | 320 | 0.094 | 0.131 | 18 - 23 - 33 | 33 | 151 | 23.5 | 32.7 | 5.5 - 7.1 - 10.0 | 47 | 48 | 44 | 37 | 38 | 33 | |
| | | 430 | 0.170 | 0.237 | 22 - 27 - 38 | 41 | 203 | 42.4 | 59.1 | 6.7 - 8.2 - 11.6 | 53 | 55 | 52 | 46 | 48 | 43 | |
| | 12" Oval Inlet | 4' | 110 | 0.009 | 0.013 | 3 - 6 - 17 | - | 52 | 2.2 | 3.3 | 0.8 - 1.9 - 5.0 | 26 | 19 | - | - | - | - |
| | | | 230 | 0.038 | 0.057 | 12 - 17 - 28 | 21 | 109 | 9.5 | 14.3 | 3.5 - 5.3 - 8.5 | 39 | 36 | 30 | 22 | 24 | 21 |
| | | | 290 | 0.061 | 0.091 | 15 - 22 - 31 | 27 | 137 | 15.1 | 22.7 | 4.4 - 6.6 - 9.5 | 43 | 41 | 36 | 29 | 32 | 29 |
| | | | 350 | 0.088 | 0.133 | 18 - 24 - 34 | 32 | 165 | 22.0 | 33.1 | 5.3 - 7.4 - 10.5 | 46 | 46 | 41 | 35 | 38 | 35 |
| | | 5' | 470 | 0.159 | 0.240 | 23 - 28 - 40 | 40 | 222 | 39.7 | 59.6 | 7.0 - 8.6 - 12.1 | 51 | 53 | 49 | 44 | 48 | 45 |
| | | | 150 | 0.015 | 0.018 | 7 - 13 - 23 | - | 71 | 3.8 | 4.6 | 2.2 - 3.8 - 6.8 | 32 | 30 | 21 | - | - | - |
| | | | 270 | 0.050 | 0.060 | 15 - 21 - 30 | 22 | 127 | 12.4 | 14.9 | 4.6 - 6.5 - 9.2 | 42 | 43 | 37 | 26 | 21 | 13 |
| | | | 330 | 0.075 | 0.089 | 18 - 24 - 33 | 28 | 156 | 18.6 | 22.2 | 5.6 - 7.2 - 10.2 | 45 | 48 | 42 | 32 | 28 | 20 |
| 1 1/2" Slot Width | 2' | 390 | 0.104 | 0.125 | 21 - 26 - 36 | 32 | 184 | 25.9 | 31.1 | 6.4 - 7.8 - 11.0 | 48 | 52 | 47 | 37 | 33 | 25 | |
| | | 510 | 0.178 | 0.213 | 24 - 29 - 42 | 40 | 241 | 44.4 | 53.1 | 7.3 - 8.9 - 12.6 | 53 | 58 | 54 | 46 | 42 | 35 | |
| | | 170 | 0.014 | 0.018 | 7 - 13 - 24 | - | 80 | 3.5 | 4.5 | 2.0 - 3.9 - 7.3 | 31 | 28 | 19 | - | - | - | |
| | | 310 | 0.047 | 0.060 | 16 - 23 - 32 | 23 | 146 | 11.6 | 14.9 | 4.7 - 7.0 - 9.8 | 42 | 42 | 35 | 26 | 23 | 16 | |
| | 12" Oval Inlet | 4' | 380 | 0.070 | 0.090 | 19 - 25 - 36 | 28 | 179 | 17.5 | 22.3 | 5.8 - 7.7 - 10.9 | 45 | 47 | 41 | 32 | 30 | 23 |
| | | | 450 | 0.099 | 0.126 | 23 - 28 - 39 | 33 | 212 | 24.5 | 31.3 | 6.8 - 8.4 - 11.9 | 48 | 50 | 46 | 37 | 36 | 29 |
| | | | 590 | 0.169 | 0.216 | 26 - 32 - 45 | 40 | 278 | 42.2 | 53.9 | 7.8 - 9.6 - 13.6 | 53 | 57 | 53 | 46 | 45 | 39 |

NOTE: See notes on page F1-21.

PTBS

© KRUEGER 2012

PTBS Performance Data: Horizontal Throw

IP/METRIC DATA: PTBS, 1 1/2" SLOT WIDTH, 3-SLOT, 1-WAY (NO DAMPER)

| | Linear Length | IP Data | | | | NC | Metric Data | | | | Octave Band, dB | | | | | | |
|-------------------------------------|---------------|----------|----------|--------------|--------------|-----|-------------|----------|------------------|-------------------|-----------------|----|----|----|----|----|--|
| | | Air Flow | Pressure | | 1-Way Throw | | Air Flow | Pressure | | 1-Way Throw | 2 | 3 | 4 | 5 | 6 | 7 | |
| | | | Ps | Pt | | | | Ps | Pt | | | | | | | | |
| | | CFM | "WG | "WG | ft | | L/s | Pa | Pa | m | | | | | | | |
| 1 1/2" Slot Width 6" Oval Inlet | 2' | 75 | 0.015 | 0.025 | 2 - 5 - 17 | - | 35 | 3.8 | 6.3 | 0.6 - 1.4 - 5.3 | 30 | 22 | 15 | - | - | - | |
| | | 135 | 0.050 | 0.082 | 7 - 15 - 31 | 23 | 64 | 12.4 | 20.5 | 2.0 - 4.5 - 9.6 | 40 | 36 | 31 | 25 | 30 | 28 | |
| | | 165 | 0.074 | 0.123 | 10 - 19 - 38 | 29 | 78 | 18.5 | 30.6 | 3.0 - 5.8 - 11.7 | 43 | 41 | 36 | 31 | 36 | 35 | |
| | | 195 | 0.104 | 0.172 | 14 - 23 - 45 | 34 | 92 | 25.8 | 42.8 | 4.1 - 6.9 - 13.8 | 46 | 45 | 41 | 36 | 42 | 41 | |
| | | 255 | 0.177 | 0.294 | 20 - 30 - 54 | 41 | 120 | 44.2 | 73.1 | 6.0 - 9.0 - 16.5 | 51 | 51 | 48 | 44 | 51 | 50 | |
| | 4' | 100 | 0.017 | 0.035 | 2 - 4 - 14 | - | 47 | 4.3 | 8.7 | 0.5 - 1.2 - 4.2 | 26 | 15 | - | - | 12 | 14 | |
| | | 190 | 0.062 | 0.126 | 6 - 13 - 25 | 22 | 90 | 15.4 | 31.5 | 1.9 - 4.0 - 7.7 | 37 | 30 | 25 | 21 | 33 | 36 | |
| | | 235 | 0.095 | 0.193 | 10 - 16 - 28 | 28 | 111 | 23.6 | 48.2 | 2.9 - 4.9 - 8.6 | 41 | 35 | 31 | 28 | 40 | 44 | |
| | | 280 | 0.135 | 0.275 | 13 - 19 - 31 | 33 | 132 | 33.5 | 68.4 | 3.9 - 5.8 - 9.4 | 44 | 39 | 35 | 33 | 46 | 50 | |
| | | 370 | 0.235 | 0.480 | 17 - 25 - 35 | 41 | 175 | 58.5 | 119.4 | 5.1 - 7.6 - 10.8 | 49 | 45 | 43 | 42 | 56 | 59 | |
| | 5' | 120 | 0.022 | 0.048 | 2 - 4 - 15 | - | 57 | 5.5 | 11.9 | 0.5 - 1.2 - 4.5 | 27 | 14 | - | - | 15 | 19 | |
| | | 220 | 0.075 | 0.161 | 6 - 13 - 27 | 23 | 104 | 18.6 | 40.1 | 1.8 - 4.1 - 8.2 | 37 | 28 | 24 | 22 | 36 | 40 | |
| 270 | | 0.112 | 0.243 | 9 - 17 - 30 | 29 | 127 | 28.0 | 60.4 | 2.7 - 5.0 - 9.2 | 41 | 33 | 30 | 28 | 43 | 47 | | |
| 320 | | 0.158 | 0.341 | 13 - 20 - 33 | 33 | 151 | 39.3 | 84.9 | 3.8 - 6.0 - 10.0 | 44 | 37 | 34 | 33 | 48 | 53 | | |
| 420 | | 0.272 | 0.587 | 17 - 26 - 38 | 41 | 198 | 67.8 | 146.3 | 5.2 - 7.8 - 11.5 | 48 | 43 | 42 | 42 | 58 | 63 | | |
| 1 1/2" Slot Width 8" Oval Inlet | 2' | 80 | 0.011 | 0.015 | 2 - 5 - 19 | - | 38 | 2.7 | 3.8 | 0.7 - 1.6 - 5.7 | 28 | 23 | 14 | - | - | - | |
| | | 160 | 0.043 | 0.061 | 9 - 19 - 37 | 22 | 76 | 10.7 | 15.1 | 2.8 - 5.7 - 11.3 | 40 | 39 | 33 | 24 | 25 | 20 | |
| | | 200 | 0.067 | 0.095 | 14 - 23 - 47 | 28 | 94 | 16.8 | 23.6 | 4.3 - 7.1 - 14.2 | 44 | 44 | 39 | 31 | 32 | 28 | |
| | | 240 | 0.097 | 0.137 | 19 - 28 - 53 | 33 | 113 | 24.2 | 34.1 | 5.7 - 8.5 - 16.0 | 48 | 48 | 44 | 37 | 38 | 34 | |
| | | 320 | 0.173 | 0.243 | 25 - 37 - 61 | 41 | 151 | 43.0 | 60.5 | 7.6 - 11.3 - 18.5 | 53 | 55 | 52 | 46 | 48 | 44 | |
| | 4' | 125 | 0.014 | 0.025 | 3 - 6 - 17 | - | 59 | 3.5 | 6.1 | 0.8 - 1.8 - 5.2 | 28 | 19 | 11 | - | - | - | |
| | | 235 | 0.049 | 0.087 | 10 - 16 - 28 | 22 | 111 | 12.2 | 21.7 | 2.9 - 4.9 - 8.6 | 39 | 33 | 28 | 23 | 30 | 30 | |
| | | 290 | 0.075 | 0.133 | 13 - 20 - 31 | 28 | 137 | 18.6 | 33.0 | 4.0 - 6.1 - 9.5 | 42 | 38 | 34 | 29 | 37 | 37 | |
| | | 345 | 0.106 | 0.188 | 16 - 24 - 34 | 33 | 163 | 26.3 | 46.8 | 4.8 - 7.2 - 10.4 | 45 | 42 | 39 | 35 | 43 | 43 | |
| | | 455 | 0.184 | 0.327 | 21 - 28 - 39 | 41 | 215 | 45.8 | 81.3 | 6.3 - 8.4 - 11.9 | 50 | 49 | 46 | 43 | 52 | 53 | |
| | 5' | 150 | 0.017 | 0.033 | 3 - 6 - 18 | - | 71 | 4.3 | 8.1 | 0.8 - 1.9 - 5.6 | 28 | 18 | 11 | - | 12 | 13 | |
| | | 270 | 0.056 | 0.106 | 9 - 17 - 30 | 23 | 127 | 13.9 | 26.4 | 2.7 - 5.0 - 9.2 | 38 | 32 | 27 | 23 | 32 | 33 | |
| 330 | | 0.083 | 0.158 | 13 - 20 - 33 | 28 | 156 | 20.7 | 39.4 | 4.1 - 6.2 - 10.2 | 42 | 37 | 33 | 29 | 39 | 40 | | |
| 390 | | 0.116 | 0.221 | 16 - 24 - 36 | 33 | 184 | 29.0 | 55.1 | 4.9 - 7.3 - 11.0 | 45 | 41 | 37 | 34 | 44 | 46 | | |
| 510 | | 0.199 | 0.378 | 21 - 29 - 42 | 40 | 241 | 49.5 | 94.2 | 6.3 - 8.9 - 12.6 | 49 | 47 | 44 | 42 | 53 | 55 | | |
| 1 1/2" Slot Width 10" Oval Inlet | 2' | 100 | 0.013 | 0.017 | 4 - 8 - 23 | - | 47 | 3.3 | 4.2 | 1.1 - 2.4 - 7.1 | 31 | 27 | 18 | - | - | - | |
| | | 190 | 0.048 | 0.061 | 13 - 22 - 44 | 23 | 90 | 12.0 | 15.3 | 3.9 - 6.7 - 13.5 | 42 | 42 | 36 | 26 | 23 | 17 | |
| | | 235 | 0.074 | 0.094 | 18 - 27 - 52 | 29 | 111 | 18.4 | 23.4 | 5.5 - 8.3 - 15.8 | 46 | 47 | 42 | 33 | 31 | 24 | |
| | | 280 | 0.105 | 0.133 | 22 - 33 - 57 | 34 | 132 | 26.1 | 33.2 | 6.6 - 9.9 - 17.3 | 49 | 51 | 47 | 38 | 36 | 30 | |
| | | 370 | 0.183 | 0.233 | 29 - 43 - 65 | 41 | 175 | 45.7 | 58.0 | 8.7 - 13.1 - 19.8 | 54 | 58 | 54 | 47 | 46 | 40 | |
| | 4' | 150 | 0.014 | 0.022 | 4 - 9 - 21 | - | 71 | 3.4 | 5.4 | 1.2 - 2.7 - 6.3 | 29 | 22 | 14 | - | - | - | |
| | | 270 | 0.044 | 0.071 | 12 - 19 - 30 | 22 | 127 | 11.0 | 17.6 | 3.8 - 5.6 - 9.2 | 39 | 36 | 30 | 23 | 27 | 25 | |
| | | 330 | 0.066 | 0.106 | 15 - 23 - 33 | 28 | 156 | 16.4 | 26.3 | 4.6 - 6.9 - 10.2 | 43 | 41 | 36 | 30 | 34 | 32 | |
| | | 390 | 0.092 | 0.147 | 18 - 26 - 36 | 32 | 184 | 23.0 | 36.7 | 5.4 - 7.8 - 11.0 | 46 | 44 | 40 | 35 | 40 | 38 | |
| | | 510 | 0.158 | 0.252 | 23 - 29 - 42 | 40 | 241 | 39.3 | 62.7 | 7.1 - 8.9 - 12.6 | 51 | 51 | 48 | 43 | 49 | 47 | |
| | 5' | 170 | 0.015 | 0.025 | 4 - 8 - 21 | - | 80 | 3.6 | 6.2 | 1.1 - 2.4 - 6.3 | 29 | 20 | 13 | - | - | - | |
| | | 310 | 0.048 | 0.083 | 12 - 19 - 32 | 23 | 146 | 12.0 | 20.7 | 3.6 - 5.8 - 9.8 | 39 | 34 | 29 | 23 | 29 | 29 | |
| 380 | | 0.073 | 0.125 | 16 - 23 - 36 | 28 | 179 | 18.1 | 31.1 | 4.7 - 7.1 - 10.9 | 43 | 39 | 35 | 30 | 36 | 36 | | |
| 450 | | 0.102 | 0.175 | 18 - 28 - 39 | 33 | 212 | 25.4 | 43.6 | 5.6 - 8.4 - 11.9 | 46 | 43 | 39 | 35 | 42 | 42 | | |
| 590 | | 0.175 | 0.301 | 24 - 32 - 45 | 40 | 278 | 43.6 | 75.0 | 7.3 - 9.6 - 13.6 | 50 | 49 | 47 | 43 | 51 | 51 | | |
| 1 1/2" Slot Width 12" Oval Inlet | 4' | 200 | 0.015 | 0.021 | 7 - 14 - 26 | - | 94 | 3.8 | 5.1 | 2.1 - 4.2 - 7.9 | 32 | 28 | 19 | - | - | - | |
| | | 350 | 0.047 | 0.063 | 16 - 24 - 34 | 23 | 165 | 11.6 | 15.8 | 4.9 - 7.3 - 10.5 | 41 | 41 | 35 | 26 | 25 | 20 | |
| | | 425 | 0.069 | 0.093 | 19 - 27 - 38 | 29 | 201 | 17.2 | 23.2 | 5.9 - 8.1 - 11.5 | 45 | 45 | 40 | 32 | 32 | 26 | |
| | | 500 | 0.095 | 0.129 | 23 - 29 - 41 | 33 | 236 | 23.8 | 32.2 | 7.0 - 8.8 - 12.5 | 48 | 49 | 44 | 37 | 37 | 32 | |
| | | 650 | 0.161 | 0.218 | 27 - 33 - 47 | 40 | 307 | 40.2 | 54.3 | 8.2 - 10.1 - 14.2 | 52 | 55 | 52 | 45 | 46 | 41 | |
| | 5' | 220 | 0.014 | 0.021 | 6 - 13 - 27 | - | 104 | 3.6 | 5.2 | 1.8 - 4.1 - 8.2 | 31 | 25 | 17 | - | - | - | |
| | | 380 | 0.043 | 0.062 | 16 - 23 - 36 | 22 | 179 | 10.6 | 15.4 | 4.7 - 7.1 - 10.9 | 40 | 38 | 32 | 24 | 25 | 21 | |
| | | 460 | 0.062 | 0.091 | 19 - 28 - 39 | 27 | 217 | 15.5 | 22.6 | 5.7 - 8.5 - 12.0 | 43 | 42 | 37 | 30 | 32 | 28 | |
| | | 540 | 0.086 | 0.125 | 22 - 30 - 43 | 32 | 255 | 21.4 | 31.2 | 6.7 - 9.2 - 13.0 | 46 | 46 | 42 | 35 | 37 | 33 | |
| | | 700 | 0.144 | 0.210 | 28 - 34 - 49 | 39 | 330 | 35.9 | 52.4 | 8.5 - 10.5 - 14.8 | 51 | 52 | 49 | 43 | 46 | 42 | |

NOTE: See notes on page F1-21.

PTBS Performance Data: Horizontal Throw

IP/METRIC DATA: PTBS, 1 1/2" SLOT WIDTH, 4-SLOT, 1-WAY (NO DAMPER)

PLENUM SLOT DIFFUSERS

| | Linear Length | IP Data | | | | NC | Metric Data | | | | Octave Band, dB | | | | | | |
|-------------------|-------------------|----------|----------|-------|--------------|-------------|-------------|----------|-------|-------------------|-----------------|----|----|----|----|----|---|
| | | Air Flow | Pressure | | 1-Way Throw | | Air Flow | Pressure | | 1-Way Throw | 2 | 3 | 4 | 5 | 6 | 7 | |
| | | | Ps | Pt | | | | Ps | Pt | | | | | | | | |
| | | CFM | "WG | "WG | ft | | L/s | Pa | Pa | m | | | | | | | |
| 1 1/2" Slot Width | 2' | 70 | 0.011 | 0.019 | 1 - 3 - 10 | - | 33 | 2.7 | 4.9 | 0.3 - 0.8 - 3.1 | 25 | 15 | - | - | - | - | |
| | | 140 | 0.043 | 0.078 | 5 - 10 - 28 | 20 | 66 | 10.7 | 19.4 | 1.4 - 3.1 - 8.6 | 37 | 31 | 25 | 20 | 28 | 28 | |
| | | 175 | 0.067 | 0.122 | 7 - 16 - 35 | 26 | 83 | 16.7 | 30.3 | 2.2 - 4.9 - 10.7 | 41 | 36 | 32 | 27 | 35 | 36 | |
| | | 210 | 0.097 | 0.175 | 10 - 21 - 42 | 31 | 99 | 24.0 | 43.7 | 3.1 - 6.4 - 12.9 | 44 | 40 | 37 | 33 | 41 | 42 | |
| | | 280 | 0.172 | 0.312 | 18 - 28 - 56 | 39 | 132 | 42.8 | 77.6 | 5.5 - 8.6 - 17.2 | 49 | 47 | 44 | 41 | 51 | 52 | |
| | 4' | 115 | 0.020 | 0.043 | 1 - 3 - 13 | - | 54 | 4.9 | 10.8 | 0.5 - 1.0 - 4.1 | 25 | 12 | - | - | 13 | 18 | |
| | | 215 | 0.069 | 0.152 | 5 - 12 - 26 | 21 | 101 | 17.3 | 37.8 | 1.6 - 3.5 - 7.8 | 36 | 26 | 22 | 20 | 34 | 39 | |
| | | 265 | 0.105 | 0.231 | 8 - 16 - 30 | 27 | 125 | 26.2 | 57.5 | 2.4 - 4.8 - 9.1 | 40 | 31 | 28 | 26 | 41 | 46 | |
| | | 315 | 0.149 | 0.326 | 11 - 19 - 33 | 32 | 149 | 37.1 | 81.2 | 3.4 - 5.7 - 9.9 | 43 | 35 | 32 | 31 | 47 | 52 | |
| | | 415 | 0.258 | 0.566 | 16 - 25 - 37 | 39 | 196 | 64.4 | 141.0 | 5.0 - 7.5 - 11.4 | 47 | 42 | 40 | 40 | 56 | 62 | |
| | 5' | 125 | 0.022 | 0.049 | 1 - 3 - 11 | - | 59 | 5.4 | 12.3 | 0.4 - 0.9 - 3.4 | 24 | - | - | - | 13 | 19 | |
| | | 235 | 0.076 | 0.175 | 4 - 10 - 25 | 20 | 111 | 18.9 | 43.5 | 1.3 - 3.0 - 7.6 | 35 | 24 | 19 | 18 | 35 | 41 | |
| | | 290 | 0.116 | 0.266 | 7 - 15 - 31 | 26 | 137 | 28.9 | 66.3 | 2.0 - 4.6 - 9.4 | 38 | 29 | 25 | 24 | 42 | 48 | |
| | | 345 | 0.164 | 0.377 | 10 - 18 - 34 | 31 | 163 | 40.8 | 93.8 | 2.9 - 5.6 - 10.4 | 41 | 33 | 30 | 30 | 48 | 54 | |
| | | 455 | 0.285 | 0.655 | 16 - 24 - 39 | 39 | 215 | 71.0 | 163.1 | 4.9 - 7.4 - 11.9 | 46 | 39 | 37 | 38 | 57 | 64 | |
| | 1 1/2" Slot Width | 2' | 90 | 0.010 | 0.016 | 2 - 4 - 17 | - | 42 | 2.5 | 3.9 | 0.6 - 1.3 - 5.1 | 27 | 20 | 11 | - | - | - |
| 180 | | | 0.040 | 0.063 | 8 - 17 - 36 | 21 | 85 | 10.1 | 15.6 | 2.3 - 5.1 - 11.0 | 39 | 36 | 30 | 22 | 25 | 23 | |
| 225 | | | 0.063 | 0.098 | 12 - 23 - 45 | 27 | 106 | 15.7 | 24.4 | 3.6 - 6.9 - 13.8 | 43 | 41 | 36 | 29 | 33 | 30 | |
| 270 | | | 0.091 | 0.141 | 17 - 27 - 54 | 32 | 127 | 22.6 | 35.1 | 5.1 - 8.3 - 16.6 | 46 | 45 | 41 | 35 | 39 | 37 | |
| 360 | | | 0.161 | 0.251 | 24 - 36 - 64 | 40 | 170 | 40.2 | 62.5 | 7.4 - 11.0 - 19.6 | 51 | 52 | 49 | 44 | 49 | 47 | |
| 4' | | 140 | 0.014 | 0.028 | 2 - 5 - 17 | - | 66 | 3.6 | 7.0 | 0.7 - 1.5 - 5.1 | 26 | 15 | - | - | - | - | |
| | | 260 | 0.050 | 0.096 | 8 - 15 - 30 | 21 | 123 | 12.4 | 24.0 | 2.3 - 4.7 - 9.0 | 37 | 30 | 25 | 20 | 30 | 32 | |
| | | 320 | 0.075 | 0.146 | 11 - 19 - 33 | 26 | 151 | 18.7 | 36.3 | 3.5 - 5.8 - 10.0 | 40 | 35 | 30 | 27 | 37 | 39 | |
| | | 380 | 0.106 | 0.206 | 15 - 23 - 36 | 31 | 179 | 26.4 | 51.2 | 4.6 - 6.9 - 10.9 | 43 | 39 | 35 | 32 | 43 | 45 | |
| | | 500 | 0.184 | 0.356 | 20 - 29 - 41 | 39 | 236 | 45.8 | 88.7 | 6.0 - 8.8 - 12.5 | 48 | 45 | 42 | 40 | 52 | 54 | |
| 5' | | 160 | 0.017 | 0.034 | 2 - 5 - 17 | - | 76 | 4.1 | 8.5 | 0.6 - 1.4 - 5.2 | 26 | 14 | - | - | 11 | 14 | |
| | | 300 | 0.059 | 0.121 | 7 - 16 - 32 | 21 | 142 | 14.6 | 30.0 | 2.2 - 4.8 - 9.7 | 37 | 28 | 24 | 20 | 32 | 36 | |
| | | 370 | 0.089 | 0.183 | 11 - 20 - 35 | 27 | 175 | 22.2 | 45.7 | 3.3 - 6.0 - 10.8 | 40 | 33 | 29 | 27 | 39 | 43 | |
| | | 440 | 0.126 | 0.259 | 16 - 23 - 39 | 32 | 208 | 31.4 | 64.6 | 4.7 - 7.1 - 11.7 | 43 | 37 | 34 | 32 | 45 | 49 | |
| | | 580 | 0.219 | 0.451 | 21 - 31 - 44 | 39 | 274 | 54.5 | 112.2 | 6.2 - 9.4 - 13.5 | 48 | 44 | 42 | 41 | 54 | 58 | |
| 1 1/2" Slot Width | | 2' | 100 | 0.009 | 0.013 | 2 - 5 - 20 | - | 47 | 2.3 | 3.2 | 0.7 - 1.6 - 6.1 | 27 | 21 | 12 | - | - | - |
| | 210 | | 0.041 | 0.057 | 10 - 21 - 42 | 21 | 99 | 10.1 | 14.1 | 3.1 - 6.4 - 12.9 | 40 | 39 | 32 | 24 | 23 | 19 | |
| | 265 | | 0.065 | 0.090 | 16 - 27 - 53 | 28 | 125 | 16.1 | 22.5 | 5.0 - 8.1 - 16.3 | 44 | 44 | 39 | 31 | 31 | 27 | |
| | 320 | | 0.094 | 0.131 | 22 - 32 - 61 | 33 | 151 | 23.5 | 32.7 | 6.5 - 9.8 - 18.5 | 47 | 48 | 44 | 37 | 38 | 33 | |
| | 430 | | 0.170 | 0.237 | 29 - 43 - 70 | 41 | 203 | 42.4 | 59.1 | 8.8 - 13.2 - 21.4 | 53 | 55 | 52 | 46 | 48 | 43 | |
| | 4' | 160 | 0.012 | 0.022 | 3 - 6 - 19 | - | 76 | 3.1 | 5.4 | 0.9 - 2.0 - 5.8 | 27 | 18 | - | - | - | - | |
| | | 310 | 0.046 | 0.081 | 11 - 18 - 32 | 22 | 146 | 11.5 | 20.1 | 3.3 - 5.6 - 9.8 | 38 | 33 | 28 | 22 | 29 | 28 | |
| | | 385 | 0.071 | 0.125 | 15 - 23 - 36 | 28 | 182 | 17.7 | 31.1 | 4.6 - 7.0 - 11.0 | 42 | 38 | 34 | 29 | 36 | 36 | |
| | | 460 | 0.101 | 0.178 | 18 - 27 - 39 | 32 | 217 | 25.2 | 44.3 | 5.5 - 8.3 - 12.0 | 45 | 42 | 38 | 34 | 42 | 42 | |
| | | 610 | 0.178 | 0.313 | 24 - 32 - 45 | 40 | 288 | 44.4 | 78.0 | 7.3 - 9.8 - 13.8 | 50 | 49 | 46 | 43 | 52 | 52 | |
| | 5' | 180 | 0.013 | 0.025 | 3 - 6 - 19 | - | 85 | 3.3 | 6.2 | 0.8 - 1.8 - 5.8 | 26 | 16 | - | - | - | - | |
| | | 350 | 0.050 | 0.095 | 10 - 19 - 34 | 21 | 165 | 12.5 | 23.6 | 3.0 - 5.7 - 10.5 | 38 | 31 | 26 | 21 | 30 | 31 | |
| | | 435 | 0.078 | 0.146 | 15 - 23 - 38 | 27 | 205 | 19.4 | 36.4 | 4.6 - 7.0 - 11.7 | 41 | 36 | 32 | 28 | 38 | 39 | |
| | | 520 | 0.111 | 0.209 | 18 - 28 - 42 | 32 | 245 | 27.7 | 52.1 | 5.6 - 8.4 - 12.7 | 45 | 40 | 37 | 34 | 44 | 45 | |
| | | 690 | 0.196 | 0.368 | 24 - 34 - 48 | 40 | 326 | 48.7 | 91.7 | 7.4 - 10.4 - 14.7 | 49 | 47 | 45 | 42 | 53 | 55 | |
| | 1 1/2" Slot Width | 4' | 200 | 0.011 | 0.016 | 4 - 10 - 24 | - | 94 | 2.7 | 4.1 | 1.4 - 3.1 - 7.2 | 28 | 22 | 13 | - | - | - |
| 380 | | | 0.040 | 0.059 | 15 - 23 - 36 | 21 | 179 | 9.9 | 14.7 | 4.6 - 6.9 - 10.9 | 39 | 37 | 31 | 23 | 25 | 21 | |
| 470 | | | 0.061 | 0.091 | 19 - 28 - 40 | 27 | 222 | 15.1 | 22.6 | 5.7 - 8.5 - 12.1 | 43 | 42 | 36 | 29 | 32 | 28 | |
| 560 | | | 0.086 | 0.129 | 22 - 31 - 44 | 32 | 264 | 21.5 | 32.0 | 6.7 - 9.4 - 13.2 | 46 | 46 | 41 | 35 | 38 | 34 | |
| 740 | | | 0.151 | 0.225 | 29 - 35 - 50 | 40 | 349 | 37.5 | 55.9 | 8.8 - 10.8 - 15.2 | 51 | 52 | 49 | 43 | 47 | 44 | |
| 5' | | 225 | 0.011 | 0.018 | 4 - 9 - 24 | - | 106 | 2.8 | 4.5 | 1.2 - 2.8 - 7.3 | 27 | 20 | 11 | - | - | - | |
| | | 435 | 0.042 | 0.068 | 15 - 23 - 38 | 21 | 205 | 10.5 | 16.8 | 4.6 - 7.0 - 11.7 | 39 | 35 | 29 | 22 | 27 | 24 | |
| | | 540 | 0.065 | 0.104 | 19 - 29 - 43 | 27 | 255 | 16.1 | 25.9 | 5.8 - 8.7 - 13.0 | 43 | 40 | 35 | 29 | 34 | 32 | |
| | | 645 | 0.092 | 0.149 | 23 - 33 - 47 | 32 | 304 | 23.0 | 37.0 | 6.9 - 10.0 - 14.2 | 46 | 44 | 40 | 35 | 40 | 38 | |
| | | 855 | 0.162 | 0.261 | 30 - 38 - 54 | 40 | 404 | 40.4 | 65.0 | 9.2 - 11.6 - 16.3 | 51 | 51 | 48 | 43 | 49 | 48 | |

NOTE: See notes on page F1-21.

PTBS

© KRUEGER 2012

PTBS Performance Data: Vertical Throw

IP/METRIC DATA: PTBS, 3/4" SLOT WIDTH, 1-SLOT (NO DAMPER)

| | Linear Length | IP Data | | | | NC | Metric Data | | | | Octave Band, dB | | | | | | |
|-----------------|---------------|----------|----------|-------------|----------------|-----|-------------|----------|-----------------|-----------------|-----------------|----|----|----|----|----|---|
| | | Air Flow | Pressure | | Vertical Throw | | Air Flow | Pressure | | Vertical Throw | 2 | 3 | 4 | 5 | 6 | 7 | |
| | | | Pt | Ps | | | | Pt | Ps | | | | | | | | m |
| CFM | "WG | "WG | ft | L/s | Pa | Pa | m | | | | | | | | | | |
| 3/4" Slot Width | 2' | 140 | 0.061 | 0.051 | 3 - 4 - 9 | 20 | 66 | 15.1 | 12.6 | 0.9 - 1.3 - 2.6 | 45 | 43 | 32 | 26 | 18 | - | |
| | | 200 | 0.131 | 0.103 | 4 - 6 - 12 | 28 | 94 | 32.6 | 25.7 | 1.3 - 1.9 - 3.8 | 53 | 50 | 40 | 35 | 28 | 17 | |
| | | 230 | 0.173 | 0.137 | 5 - 7 - 14 | 32 | 109 | 43.1 | 34.0 | 1.4 - 2.2 - 4.3 | 56 | 53 | 43 | 38 | 32 | 21 | |
| | | 260 | 0.221 | 0.175 | 5 - 8 - 16 | 35 | 123 | 55.0 | 43.5 | 1.6 - 2.4 - 4.9 | 58 | 55 | 46 | 41 | 36 | 25 | |
| | 320 | 0.335 | 0.264 | 7 - 10 - 19 | 40 | 151 | 83.4 | 65.8 | 2.0 - 3.0 - 5.7 | 62 | 60 | 51 | 46 | 42 | 32 | | |
| | 4' | 140 | 0.026 | 0.013 | 1 - 2 - 6 | 18 | 66 | 6.5 | 3.2 | 0.3 - 0.7 - 1.9 | 42 | 41 | 29 | 23 | 15 | - | |
| | | 210 | 0.059 | 0.028 | 2 - 5 - 9 | 27 | 99 | 14.6 | 7.1 | 0.7 - 1.4 - 2.8 | 50 | 49 | 39 | 33 | 26 | 16 | |
| | | 245 | 0.080 | 0.039 | 3 - 5 - 11 | 31 | 116 | 19.9 | 9.6 | 1.0 - 1.6 - 3.2 | 53 | 53 | 42 | 36 | 31 | 21 | |
| | | 280 | 0.105 | 0.051 | 4 - 6 - 12 | 35 | 132 | 26.0 | 12.6 | 1.2 - 1.9 - 3.7 | 56 | 55 | 45 | 40 | 34 | 25 | |
| | 5' | 350 | 0.163 | 0.079 | 5 - 8 - 15 | 40 | 165 | 40.7 | 19.7 | 1.5 - 2.3 - 4.6 | 61 | 60 | 50 | 45 | 41 | 32 | |
| | | 130 | 0.019 | 0.007 | 1 - 1 - 5 | 15 | 61 | 4.6 | 1.7 | 0.2 - 0.4 - 1.5 | 39 | 39 | 27 | 20 | 12 | - | |
| | | 210 | 0.049 | 0.018 | 2 - 4 - 8 | 27 | 99 | 12.1 | 4.5 | 0.5 - 1.1 - 2.5 | 49 | 49 | 38 | 32 | 25 | 15 | |
| 250 | | 0.069 | 0.026 | 2 - 5 - 10 | 31 | 118 | 17.1 | 6.4 | 0.7 - 1.5 - 3.0 | 53 | 52 | 42 | 36 | 30 | 20 | | |
| 10" Oval Inlet | 2' | 290 | 0.093 | 0.035 | 3 - 6 - 11 | 35 | 137 | 23.1 | 8.7 | 1.0 - 1.7 - 3.4 | 56 | 55 | 45 | 39 | 34 | 25 | |
| | | 370 | 0.151 | 0.057 | 5 - 7 - 14 | 41 | 175 | 37.5 | 14.1 | 1.5 - 2.2 - 4.4 | 61 | 60 | 51 | 45 | 41 | 33 | |
| | | 130 | 0.050 | 0.044 | 3 - 4 - 8 | 13 | 61 | 12.4 | 10.9 | 0.8 - 1.2 - 2.4 | 40 | 37 | 25 | 19 | - | - | |
| | | 220 | 0.143 | 0.125 | 5 - 7 - 14 | 25 | 104 | 35.5 | 31.1 | 1.4 - 2.1 - 4.1 | 51 | 48 | 37 | 32 | 25 | 13 | |
| | 4' | 265 | 0.207 | 0.181 | 5 - 8 - 16 | 30 | 125 | 51.5 | 45.2 | 1.7 - 2.5 - 5.0 | 55 | 51 | 42 | 36 | 30 | 18 | |
| | | 310 | 0.283 | 0.248 | 6 - 10 - 18 | 34 | 146 | 70.5 | 61.8 | 1.9 - 2.9 - 5.6 | 58 | 55 | 45 | 40 | 34 | 23 | |
| | | 400 | 0.471 | 0.413 | 8 - 12 - 21 | 40 | 189 | 117.4 | 102.9 | 2.5 - 3.8 - 6.4 | 63 | 60 | 51 | 46 | 42 | 31 | |
| | | 160 | 0.026 | 0.017 | 1 - 3 - 7 | 16 | 76 | 6.4 | 4.1 | 0.4 - 0.9 - 2.1 | 41 | 39 | 28 | 21 | 12 | - | |
| | 5' | 250 | 0.063 | 0.040 | 3 - 5 - 11 | 27 | 118 | 15.7 | 10.0 | 1.0 - 1.7 - 3.3 | 50 | 48 | 38 | 32 | 25 | 14 | |
| | | 295 | 0.088 | 0.056 | 4 - 6 - 13 | 31 | 139 | 21.9 | 14.0 | 1.3 - 2.0 - 3.9 | 54 | 52 | 42 | 36 | 30 | 19 | |
| | | 340 | 0.117 | 0.075 | 5 - 7 - 15 | 34 | 160 | 29.1 | 18.6 | 1.5 - 2.3 - 4.5 | 57 | 55 | 45 | 39 | 34 | 24 | |
| | | 430 | 0.187 | 0.119 | 6 - 9 - 19 | 40 | 203 | 46.5 | 29.7 | 1.9 - 2.9 - 5.7 | 61 | 60 | 50 | 45 | 41 | 31 | |
| 12" Oval Inlet | 4' | 170 | 0.022 | 0.012 | 1 - 2 - 7 | 16 | 80 | 5.6 | 3.0 | 0.3 - 0.7 - 2.0 | 41 | 40 | 28 | 22 | 13 | - | |
| | | 270 | 0.057 | 0.030 | 3 - 5 - 11 | 28 | 127 | 14.1 | 7.5 | 0.8 - 1.6 - 3.2 | 51 | 50 | 39 | 33 | 26 | 15 | |
| | | 320 | 0.080 | 0.042 | 4 - 6 - 12 | 32 | 151 | 19.8 | 10.5 | 1.2 - 1.9 - 3.8 | 54 | 53 | 43 | 37 | 31 | 21 | |
| | | 370 | 0.106 | 0.057 | 5 - 7 - 14 | 35 | 175 | 26.5 | 14.1 | 1.5 - 2.2 - 4.4 | 57 | 56 | 46 | 40 | 35 | 25 | |
| | 5' | 470 | 0.172 | 0.091 | 6 - 9 - 18 | 41 | 222 | 42.7 | 22.7 | 1.9 - 2.8 - 5.6 | 62 | 61 | 52 | 46 | 42 | 33 | |
| | | 220 | 0.038 | 0.031 | 3 - 5 - 10 | 15 | 104 | 9.4 | 7.8 | 0.8 - 1.5 - 2.9 | 42 | 39 | 27 | 21 | 12 | - | |
| | | 360 | 0.101 | 0.084 | 5 - 8 - 16 | 27 | 170 | 25.2 | 20.8 | 1.6 - 2.4 - 4.8 | 52 | 49 | 39 | 33 | 26 | 14 | |
| | | 430 | 0.144 | 0.119 | 6 - 9 - 19 | 32 | 203 | 35.9 | 29.7 | 1.9 - 2.9 - 5.7 | 56 | 53 | 43 | 37 | 31 | 19 | |
| | 5' | 500 | 0.195 | 0.161 | 7 - 11 - 22 | 35 | 236 | 48.6 | 40.2 | 2.2 - 3.3 - 6.6 | 59 | 56 | 46 | 41 | 35 | 24 | |
| | | 640 | 0.319 | 0.264 | 9 - 14 - 27 | 41 | 302 | 79.6 | 65.8 | 2.8 - 4.2 - 8.1 | 64 | 61 | 52 | 47 | 42 | 32 | |
| | | 220 | 0.027 | 0.020 | 2 - 4 - 9 | 15 | 104 | 6.6 | 5.0 | 0.6 - 1.3 - 2.6 | 41 | 38 | 27 | 20 | 11 | - | |
| | | 370 | 0.075 | 0.057 | 5 - 7 - 14 | 27 | 175 | 18.7 | 14.1 | 1.5 - 2.2 - 4.4 | 52 | 49 | 39 | 33 | 25 | 14 | |
| 5' | 445 | 0.108 | 0.082 | 6 - 9 - 17 | 32 | 210 | 27.0 | 20.4 | 1.8 - 2.6 - 5.3 | 55 | 53 | 43 | 37 | 31 | 20 | | |
| | 520 | 0.148 | 0.112 | 7 - 10 - 20 | 36 | 245 | 36.9 | 27.8 | 2.1 - 3.1 - 6.2 | 59 | 56 | 46 | 41 | 35 | 24 | | |
| | 670 | 0.246 | 0.185 | 9 - 13 - 26 | 42 | 316 | 61.2 | 46.2 | 2.6 - 4.0 - 7.9 | 64 | 61 | 52 | 47 | 42 | 32 | | |

NOTES: Throw values are given for terminal velocities of 150, 100, and 50 FPM (0.75, 0.50, and 0.25 m/s). Throw values for horizontal and vertical throw are given at isothermal conditions. Airflow is given for the length of the unit. NC values are based on octave band 2 - 7 sound power levels minus a room absorption of 10dB, re10⁻¹² Watts. Dash in space denotes a NC or dB value of less than 10. Data was obtained from tests conducted in accordance with ANSI/ASHRAE Standard 70, ISO Standard 5219, and ISO Standard 3741. See selection software for performance data not shown, including octave band data.

PTBS Performance Data: Vertical Throw

IP/METRIC DATA: PTBS, 3/4" SLOT WIDTH, 2-SLOT (NO DAMPER)

PLENUM SLOT DIFFUSERS

| | Linear Length | IP Data | | | | NC | Metric Data | | | | Octave Band, dB | | | | | | |
|-----------------|----------------|----------|-------------|-------|----------------|-------------|-------------|-----------------|------|-----------------|-----------------|----|----|----|----|----|----|
| | | Air Flow | Pressure | | Vertical Throw | | Air Flow | Pressure | | Vertical Throw | | | | | | | |
| | | | Pt | Ps | | | | Pt | Ps | | | | | | | | |
| | | CFM | "WG | "WG | ft | | L/s | Pa | Pa | m | 2 | 3 | 4 | 5 | 6 | 7 | |
| 3/4" Slot Width | 2' | 140 | 0.022 | 0.013 | 1 - 2 - 6 | 12 | 66 | 5.5 | 3.2 | 0.3 - 0.7 - 1.9 | 39 | 36 | 25 | 18 | - | - | |
| | | 240 | 0.058 | 0.037 | 3 - 5 - 10 | 26 | 113 | 14.5 | 9.3 | 0.9 - 1.6 - 3.2 | 50 | 48 | 37 | 31 | 24 | 13 | |
| | | 290 | 0.085 | 0.054 | 4 - 6 - 13 | 30 | 137 | 21.1 | 13.5 | 1.3 - 1.9 - 3.8 | 53 | 52 | 41 | 36 | 29 | 19 | |
| | | 340 | 0.117 | 0.075 | 5 - 7 - 15 | 34 | 160 | 29.1 | 18.6 | 1.5 - 2.3 - 4.5 | 57 | 55 | 45 | 39 | 34 | 24 | |
| | 10" Oval Inlet | 4' | 440 | 0.195 | 0.125 | 6 - 10 - 19 | 40 | 208 | 48.7 | 31.1 | 1.9 - 2.9 - 5.8 | 62 | 60 | 51 | 46 | 41 | 32 |
| | | | 160 | 0.013 | 0.004 | 0 - 1 - 4 | 14 | 76 | 3.3 | 1.0 | 0.1 - 0.3 - 1.3 | 38 | 38 | 25 | 18 | - | - |
| | | | 270 | 0.038 | 0.012 | 1 - 3 - 8 | 26 | 127 | 9.5 | 2.9 | 0.4 - 0.9 - 2.5 | 49 | 48 | 37 | 31 | 24 | 14 |
| | | | 325 | 0.055 | 0.017 | 2 - 4 - 10 | 31 | 153 | 13.8 | 4.2 | 0.6 - 1.3 - 3.0 | 52 | 52 | 41 | 35 | 29 | 19 |
| | | 5' | 380 | 0.076 | 0.023 | 3 - 6 - 12 | 35 | 179 | 18.9 | 5.8 | 0.8 - 1.8 - 3.6 | 56 | 55 | 45 | 39 | 34 | 24 |
| | | | 490 | 0.126 | 0.039 | 4 - 8 - 15 | 41 | 231 | 31.4 | 9.6 | 1.4 - 2.3 - 4.6 | 61 | 61 | 51 | 45 | 41 | 32 |
| | | | 170 | 0.014 | 0.003 | 0 - 1 - 3 | 14 | 80 | 3.4 | 0.7 | 0.1 - 0.3 - 1.1 | 38 | 38 | 26 | 18 | - | - |
| | | | 290 | 0.039 | 0.009 | 1 - 3 - 8 | 28 | 137 | 9.8 | 2.2 | 0.3 - 0.8 - 2.4 | 49 | 49 | 38 | 31 | 25 | 15 |
| 3/4" Slot Width | 4' | 350 | 0.057 | 0.013 | 2 - 4 - 10 | 32 | 165 | 14.2 | 3.2 | 0.5 - 1.1 - 2.9 | 53 | 53 | 42 | 36 | 30 | 21 | |
| | | 410 | 0.079 | 0.017 | 2 - 5 - 11 | 36 | 193 | 19.5 | 4.3 | 0.7 - 1.5 - 3.4 | 56 | 57 | 46 | 40 | 35 | 26 | |
| | | 530 | 0.131 | 0.029 | 4 - 7 - 15 | 42 | 250 | 32.7 | 7.2 | 1.1 - 2.2 - 4.4 | 61 | 62 | 52 | 46 | 42 | 34 | |
| | | 180 | 0.010 | 0.005 | 1 - 1 - 5 | - | 85 | 2.4 | 1.3 | 0.2 - 0.4 - 1.7 | 35 | 33 | 20 | 13 | - | - | |
| | | 340 | 0.034 | 0.019 | 2 - 5 - 10 | 24 | 160 | 8.5 | 4.6 | 0.7 - 1.5 - 3.2 | 48 | 46 | 35 | 29 | 21 | - | |
| | 12" Oval Inlet | 5' | 420 | 0.052 | 0.028 | 3 - 6 - 13 | 29 | 198 | 13.0 | 7.1 | 1.0 - 2.0 - 3.9 | 52 | 51 | 40 | 34 | 27 | 16 |
| | | | 500 | 0.074 | 0.040 | 5 - 8 - 15 | 33 | 236 | 18.4 | 10.0 | 1.4 - 2.3 - 4.7 | 56 | 54 | 44 | 38 | 32 | 21 |
| | | | 660 | 0.129 | 0.070 | 7 - 10 - 20 | 40 | 311 | 32.1 | 17.5 | 2.1 - 3.1 - 6.2 | 61 | 60 | 50 | 45 | 40 | 30 |
| | | | 190 | 0.009 | 0.004 | 0 - 1 - 4 | - | 90 | 2.1 | 0.9 | 0.1 - 0.3 - 1.3 | 35 | 34 | 21 | 13 | - | - |
| | | | 360 | 0.031 | 0.013 | 2 - 4 - 10 | 25 | 170 | 7.7 | 3.3 | 0.5 - 1.2 - 3.0 | 48 | 47 | 36 | 29 | 21 | - |
| | | 445 | 0.047 | 0.020 | 3 - 6 - 12 | 30 | 210 | 11.7 | 5.1 | 0.8 - 1.8 - 3.7 | 52 | 51 | 40 | 34 | 27 | 17 | |
| | | 530 | 0.067 | 0.029 | 4 - 7 - 15 | 34 | 250 | 16.6 | 7.2 | 1.1 - 2.2 - 4.4 | 56 | 55 | 44 | 38 | 32 | 22 | |
| 700 | 0.116 | 0.051 | 6 - 10 - 19 | 41 | 330 | 29.0 | 12.6 | 2.0 - 2.9 - 5.9 | 61 | 61 | 51 | 45 | 40 | 31 | | | |

NOTES: Throw values are given for terminal velocities of 150, 100, and 50 FPM (0.75, 0.50, and 0.25 m/s). Throw values for horizontal and vertical throw are given at isothermal conditions. Airflow is given for the length of the unit. NC values are based on octave band 2 - 7 sound power levels minus a room absorption of 10dB, re10⁻¹² Watts. Dash in space denotes a NC or dB value of less than 10. Data was obtained from tests conducted in accordance with ANSI/ASHRAE Standard 70, ISO Standard 5219, and ISO Standard 3741. See selection software for performance data not shown, including octave band data.

PTBS

© KRUEGER 2012

PTBS Performance Data: Vertical Throw

IP/METRIC DATA: PTBS, 1" SLOT WIDTH, 1-SLOT (NO DAMPER)

| | Linear Length | IP Data | | | | NC | Metric Data | | | | Octave Band, dB | | | | | |
|---------------------------------|---------------|----------|--------------|--------------|----------------|------|-------------|-----------------|-----------------|-----------------|-----------------|----|----|----|----|----|
| | | Air Flow | Pressure | | Vertical Throw | | Air Flow | Pressure | | Vertical Throw | 2 | 3 | 4 | 5 | 6 | 7 |
| | | | Pt | Ps | | | | Pt | Ps | | | | | | | |
| CFM | "WG | "WG | ft | L/s | Pa | Pa | m | 2 | 3 | 4 | 5 | 6 | 7 | | | |
| 1" Slot Width 8" Oval Inlet | 2' | 120 | 0.040 | 0.030 | 2 - 4 - 7 | 10 | 57 | 10.0 | 7.5 | 0.7 - 1.1 - 2.3 | 37 | 34 | 23 | 17 | - | - |
| | | 220 | 0.135 | 0.101 | 5 - 7 - 14 | 25 | 104 | 33.5 | 25.2 | 1.4 - 2.1 - 4.1 | 50 | 47 | 37 | 32 | 26 | 15 |
| | | 270 | 0.203 | 0.152 | 6 - 8 - 17 | 30 | 127 | 50.4 | 38.0 | 1.7 - 2.5 - 5.1 | 54 | 51 | 42 | 37 | 32 | 21 |
| | | 320 | 0.285 | 0.214 | 7 - 10 - 19 | 34 | 151 | 70.9 | 53.3 | 2.0 - 3.0 - 5.7 | 57 | 55 | 46 | 41 | 37 | 27 |
| | 420 | 0.490 | 0.369 | 9 - 13 - 22 | 41 | 198 | 122.1 | 91.8 | 2.6 - 3.9 - 6.5 | 63 | 60 | 52 | 48 | 44 | 35 | |
| | 4' | 140 | 0.024 | 0.010 | 1 - 2 - 6 | 12 | 66 | 5.9 | 2.6 | 0.3 - 0.7 - 1.9 | 37 | 36 | 24 | 18 | - | - |
| | | 240 | 0.070 | 0.030 | 3 - 5 - 10 | 25 | 113 | 17.4 | 7.5 | 0.9 - 1.6 - 3.2 | 48 | 47 | 37 | 31 | 25 | 15 |
| | | 290 | 0.102 | 0.044 | 4 - 6 - 13 | 29 | 137 | 25.4 | 10.9 | 1.3 - 1.9 - 3.8 | 52 | 51 | 41 | 35 | 30 | 21 |
| | | 340 | 0.140 | 0.060 | 5 - 7 - 15 | 33 | 160 | 34.9 | 15.0 | 1.5 - 2.3 - 4.5 | 55 | 54 | 45 | 39 | 35 | 26 |
| | 440 | 0.234 | 0.101 | 6 - 10 - 19 | 40 | 208 | 58.4 | 25.2 | 1.9 - 2.9 - 5.8 | 60 | 60 | 51 | 46 | 42 | 34 | |
| | 5' | 150 | 0.023 | 0.008 | 1 - 2 - 6 | 13 | 71 | 5.7 | 1.9 | 0.3 - 0.6 - 1.8 | 37 | 37 | 25 | 18 | 11 | - |
| | | 260 | 0.069 | 0.023 | 3 - 5 - 10 | 26 | 123 | 17.2 | 5.6 | 0.8 - 1.5 - 3.1 | 49 | 48 | 38 | 32 | 26 | 17 |
| 315 | | 0.101 | 0.033 | 4 - 6 - 12 | 31 | 149 | 25.3 | 8.3 | 1.1 - 1.9 - 3.7 | 53 | 52 | 42 | 36 | 32 | 23 | |
| 370 | | 0.140 | 0.046 | 5 - 7 - 14 | 35 | 175 | 34.9 | 11.4 | 1.5 - 2.2 - 4.4 | 56 | 55 | 46 | 40 | 36 | 28 | |
| 480 | 0.236 | 0.077 | 6 - 9 - 19 | 41 | 227 | 58.7 | 19.2 | 1.9 - 2.8 - 5.7 | 61 | 61 | 52 | 47 | 44 | 36 | | |
| 1" Slot Width 10" Oval Inlet | 2' | 130 | 0.041 | 0.035 | 3 - 4 - 8 | - | 61 | 10.3 | 8.8 | 0.8 - 1.2 - 2.4 | 35 | 32 | 20 | 14 | - | - |
| | | 260 | 0.166 | 0.141 | 5 - 8 - 16 | 24 | 123 | 41.3 | 35.2 | 1.6 - 2.4 - 4.9 | 50 | 46 | 36 | 31 | 24 | 13 |
| | | 325 | 0.259 | 0.221 | 7 - 10 - 19 | 29 | 153 | 64.6 | 55.0 | 2.0 - 3.0 - 5.8 | 54 | 51 | 41 | 36 | 31 | 20 |
| | | 390 | 0.373 | 0.318 | 8 - 12 - 21 | 33 | 184 | 93.0 | 79.2 | 2.4 - 3.7 - 6.3 | 58 | 54 | 46 | 41 | 36 | 25 |
| | 520 | 0.664 | 0.565 | 11 - 16 - 24 | 40 | 245 | 165.3 | 140.8 | 3.3 - 4.9 - 7.3 | 64 | 60 | 52 | 48 | 44 | 35 | |
| | 4' | 150 | 0.020 | 0.012 | 1 - 3 - 7 | - | 71 | 5.0 | 2.9 | 0.4 - 0.8 - 2.0 | 35 | 33 | 21 | 15 | - | - |
| | | 290 | 0.075 | 0.044 | 4 - 6 - 13 | 24 | 137 | 18.6 | 10.9 | 1.3 - 1.9 - 3.8 | 48 | 47 | 36 | 31 | 24 | 14 |
| | | 360 | 0.115 | 0.068 | 5 - 8 - 16 | 30 | 170 | 28.6 | 16.9 | 1.6 - 2.4 - 4.8 | 53 | 51 | 41 | 36 | 30 | 20 |
| | | 430 | 0.164 | 0.097 | 6 - 9 - 19 | 34 | 203 | 40.8 | 24.1 | 1.9 - 2.9 - 5.7 | 56 | 55 | 45 | 40 | 36 | 26 |
| | 570 | 0.288 | 0.170 | 8 - 12 - 25 | 41 | 269 | 71.7 | 42.3 | 2.5 - 3.8 - 7.6 | 62 | 61 | 52 | 47 | 44 | 35 | |
| | 5' | 160 | 0.018 | 0.009 | 1 - 2 - 6 | - | 76 | 4.5 | 2.1 | 0.3 - 0.7 - 1.9 | 35 | 34 | 22 | 15 | - | - |
| | | 300 | 0.063 | 0.030 | 3 - 6 - 12 | 24 | 142 | 15.6 | 7.5 | 1.0 - 1.8 - 3.6 | 48 | 47 | 36 | 30 | 24 | 14 |
| 370 | | 0.096 | 0.046 | 5 - 7 - 14 | 30 | 175 | 23.8 | 11.4 | 1.5 - 2.2 - 4.4 | 52 | 51 | 41 | 35 | 30 | 20 | |
| 440 | | 0.135 | 0.065 | 6 - 9 - 17 | 34 | 208 | 33.7 | 16.1 | 1.7 - 2.6 - 5.2 | 56 | 55 | 45 | 40 | 35 | 26 | |
| 580 | 0.235 | 0.113 | 8 - 11 - 23 | 41 | 274 | 58.5 | 28.0 | 2.3 - 3.4 - 6.9 | 61 | 60 | 51 | 46 | 43 | 34 | | |
| 1" Slot Width 12" Oval Inlet | 4' | 200 | 0.026 | 0.021 | 2 - 4 - 9 | - | 94 | 6.5 | 5.2 | 0.6 - 1.3 - 2.7 | 35 | 32 | 20 | 14 | - | - |
| | | 400 | 0.105 | 0.084 | 6 - 9 - 17 | 24 | 189 | 26.2 | 20.8 | 1.8 - 2.7 - 5.3 | 49 | 46 | 36 | 31 | 24 | 12 |
| | | 500 | 0.164 | 0.131 | 7 - 11 - 22 | 29 | 236 | 40.9 | 32.5 | 2.2 - 3.3 - 6.6 | 54 | 51 | 41 | 36 | 30 | 19 |
| | | 600 | 0.237 | 0.188 | 9 - 13 - 26 | 34 | 283 | 58.9 | 46.9 | 2.7 - 4.0 - 7.8 | 58 | 55 | 45 | 41 | 35 | 25 |
| | 800 | 0.421 | 0.335 | 12 - 17 - 30 | 41 | 378 | 104.7 | 83.3 | 3.5 - 5.3 - 9.0 | 63 | 61 | 52 | 48 | 44 | 34 | |
| | 5' | 210 | 0.021 | 0.015 | 2 - 4 - 8 | - | 99 | 5.2 | 3.7 | 0.5 - 1.1 - 2.5 | 35 | 32 | 21 | 14 | - | - |
| | | 420 | 0.083 | 0.059 | 5 - 8 - 16 | 24 | 198 | 20.6 | 14.7 | 1.7 - 2.5 - 5.0 | 49 | 47 | 37 | 31 | 24 | 13 |
| | | 525 | 0.129 | 0.092 | 7 - 10 - 20 | 30 | 248 | 32.2 | 23.0 | 2.1 - 3.1 - 6.2 | 54 | 51 | 42 | 36 | 30 | 20 |
| 630 | | 0.186 | 0.133 | 8 - 12 - 25 | 34 | 297 | 46.4 | 33.1 | 2.5 - 3.7 - 7.5 | 58 | 55 | 46 | 41 | 36 | 25 | |
| 840 | 0.331 | 0.236 | 11 - 16 - 30 | 41 | 396 | 82.4 | 58.8 | 3.3 - 5.0 - 9.3 | 63 | 61 | 52 | 48 | 44 | 35 | | |

NOTES: Throw values are given for terminal velocities of 150, 100, and 50 FPM (0.75, 0.50, and 0.25 m/s). Throw values for horizontal and vertical throw are given at isothermal conditions. Airflow is given for the length of the unit. NC values are based on octave band 2 - 7 sound power levels minus a room absorption of 10dB, re10⁻¹² Watts. Dash in space denotes a NC or dB value of less than 10. Data was obtained from tests conducted in accordance with ANSI/ASHRAE Standard 70, ISO Standard 5219, and ISO Standard 3741. See selection software for performance data not shown, including octave band data.

PTBS Performance Data: Vertical Throw

IP/METRIC DATA: PTBS, 1" SLOT WIDTH, 2-SLOT (NO DAMPER)

PLENUM SLOT DIFFUSERS

| | Linear Length | IP Data | | | | NC | Metric Data | | | | Octave Band, dB | | | | | | | | | |
|---------------|----------------|----------|----------|-------------|----------------|-------------|-------------|----------|-----------------|-----------------|-----------------|----|----|----|----|----|----|---|---|---|
| | | Air Flow | Pressure | | Vertical Throw | | Air Flow | Pressure | | Vertical Throw | | | | | | | | | | |
| | | | Pt | Ps | | | | Pt | Ps | | L/s | Pa | Pa | m | | | | | | |
| | | CFM | "WG | "WG | ft | | CFM | "WG | "WG | ft | L/s | Pa | Pa | m | 2 | 3 | 4 | 5 | 6 | 7 |
| 1" Slot Width | 2' | 160 | 0.023 | 0.013 | 1 - 3 - 7 | 10 | 76 | 5.7 | 3.3 | 0.4 - 0.9 - 2.1 | 36 | 34 | 23 | 16 | - | - | | | | |
| | | 290 | 0.075 | 0.044 | 4 - 6 - 13 | 24 | 137 | 18.6 | 10.9 | 1.3 - 1.9 - 3.8 | 48 | 47 | 36 | 31 | 24 | 14 | | | | |
| | | 355 | 0.112 | 0.066 | 5 - 8 - 15 | 29 | 168 | 27.8 | 16.4 | 1.6 - 2.4 - 4.7 | 52 | 51 | 41 | 35 | 30 | 20 | | | | |
| | | 420 | 0.156 | 0.092 | 6 - 9 - 18 | 33 | 198 | 38.9 | 23.0 | 1.9 - 2.8 - 5.6 | 56 | 54 | 45 | 40 | 35 | 25 | | | | |
| | 550 | 0.268 | 0.158 | 8 - 12 - 24 | 40 | 260 | 66.8 | 39.4 | 2.4 - 3.6 - 7.3 | 61 | 60 | 51 | 46 | 43 | 34 | | | | | |
| | 4' | 180 | 0.016 | 0.004 | 1 - 1 - 5 | 11 | 85 | 4.0 | 1.1 | 0.2 - 0.4 - 1.7 | 35 | 35 | 23 | 16 | - | - | | | | |
| | | 320 | 0.051 | 0.013 | 2 - 4 - 10 | 25 | 151 | 12.6 | 3.3 | 0.6 - 1.3 - 3.0 | 47 | 47 | 36 | 30 | 24 | 14 | | | | |
| | | 390 | 0.075 | 0.020 | 3 - 6 - 12 | 29 | 184 | 18.7 | 5.0 | 0.9 - 1.8 - 3.7 | 51 | 51 | 41 | 35 | 29 | 20 | | | | |
| | | 460 | 0.105 | 0.028 | 4 - 7 - 14 | 34 | 217 | 26.1 | 6.9 | 1.2 - 2.2 - 4.3 | 54 | 54 | 44 | 39 | 34 | 25 | | | | |
| | 10" Oval Inlet | 5' | 600 | 0.178 | 0.047 | 6 - 9 - 19 | 40 | 283 | 44.3 | 11.7 | 1.9 - 2.8 - 5.6 | 60 | 60 | 51 | 45 | 42 | 34 | | | |
| | | | 190 | 0.016 | 0.003 | 0 - 1 - 4 | 11 | 90 | 4.0 | 0.8 | 0.1 - 0.3 - 1.3 | 35 | 36 | 23 | 16 | - | - | | | |
| | | | 340 | 0.052 | 0.010 | 2 - 3 - 9 | 26 | 160 | 12.9 | 2.4 | 0.5 - 1.1 - 2.9 | 47 | 48 | 37 | 30 | 24 | 15 | | | |
| 415 | | | 0.077 | 0.014 | 2 - 5 - 11 | 30 | 196 | 19.2 | 3.6 | 0.7 - 1.6 - 3.5 | 51 | 52 | 41 | 35 | 30 | 21 | | | | |
| 1" Slot Width | 4' | 490 | 0.107 | 0.020 | 3 - 7 - 14 | 34 | 231 | 26.7 | 5.0 | 1.0 - 2.1 - 4.1 | 55 | 55 | 45 | 39 | 35 | 27 | | | | |
| | | 640 | 0.183 | 0.034 | 5 - 9 - 18 | 41 | 302 | 45.6 | 8.5 | 1.7 - 2.7 - 5.4 | 60 | 61 | 51 | 46 | 43 | 35 | | | | |
| | | 190 | 0.010 | 0.005 | 1 - 2 - 6 | - | 90 | 2.4 | 1.2 | 0.2 - 0.5 - 1.8 | 31 | 29 | 17 | - | - | - | | | | |
| | | 410 | 0.045 | 0.022 | 3 - 6 - 13 | 23 | 193 | 11.1 | 5.5 | 1.0 - 1.9 - 3.8 | 46 | 45 | 34 | 28 | 21 | - | | | | |
| | | 520 | 0.072 | 0.035 | 5 - 8 - 16 | 28 | 245 | 17.9 | 8.8 | 1.5 - 2.4 - 4.9 | 51 | 50 | 40 | 34 | 28 | 18 | | | | |
| | 12" Oval Inlet | 5' | 630 | 0.105 | 0.052 | 6 - 10 - 19 | 33 | 297 | 26.2 | 12.9 | 2.0 - 3.0 - 5.9 | 55 | 54 | 44 | 39 | 33 | 24 | | | |
| | | | 850 | 0.192 | 0.094 | 9 - 13 - 26 | 40 | 401 | 47.7 | 23.5 | 2.7 - 4.0 - 8.0 | 61 | 60 | 51 | 46 | 42 | 33 | | | |
| | | | 200 | 0.009 | 0.003 | 1 - 1 - 5 | - | 94 | 2.2 | 0.8 | 0.2 - 0.4 - 1.5 | 31 | 30 | 17 | - | - | - | | | |
| | | | 430 | 0.040 | 0.015 | 2 - 6 - 12 | 23 | 203 | 10.0 | 3.9 | 0.8 - 1.7 - 3.6 | 46 | 46 | 35 | 28 | 21 | 11 | | | |
| | | | 545 | 0.065 | 0.025 | 4 - 8 - 15 | 29 | 257 | 16.1 | 6.2 | 1.2 - 2.3 - 4.6 | 51 | 50 | 40 | 34 | 28 | 18 | | | |
| | | | 660 | 0.095 | 0.036 | 6 - 9 - 18 | 34 | 311 | 23.7 | 9.1 | 1.8 - 2.8 - 5.5 | 55 | 54 | 44 | 39 | 34 | 24 | | | |
| | | | 890 | 0.173 | 0.066 | 8 - 12 - 25 | 41 | 420 | 43.0 | 16.5 | 2.5 - 3.7 - 7.5 | 61 | 61 | 51 | 46 | 42 | 34 | | | |

NOTES: Throw values are given for terminal velocities of 150, 100, and 50 FPM (0.75, 0.50, and 0.25 m/s). Throw values for horizontal and vertical throw are given at isothermal conditions. Airflow is given for the length of the unit. NC values are based on octave band 2 - 7 sound power levels minus a room absorption of 10dB, re10⁻¹² Watts. Dash in space denotes a NC or dB value of less than 10. Data was obtained from tests conducted in accordance with ANSI/ASHRAE Standard 70, ISO Standard 5219, and ISO Standard 3741. See selection software for performance data not shown, including octave band data.

PTBS Performance Data: Vertical Throw

IP/METRIC DATA: PTBS, 1 1/2" SLOT WIDTH, 1-SLOT (NO DAMPER)

| | Linear Length | IP Data | | | | NC | Metric Data | | | | Octave Band, dB | | | | | |
|-------------------------------------|---------------|----------|----------|-------|----------------|----|-------------|----------|-------|------------------|-----------------|----|----|----|----|----|
| | | Air Flow | Pressure | | Vertical Throw | | Air Flow | Pressure | | Vertical Throw | 2 | 3 | 4 | 5 | 6 | 7 |
| | | | Pt | Ps | | | | L/s | Pa | | | | | | | |
| CFM | "WG | "WG | ft | L/s | Pa | Pa | m | 2 | 3 | 4 | 5 | 6 | 7 | | | |
| 1 1/2" Slot Width 8" Oval Inlet | 2' | 130 | 0.037 | 0.027 | 3 - 4 - 8 | - | 61 | 9.1 | 6.6 | 0.8 - 1.2 - 2.4 | 34 | 31 | 20 | 14 | - | - |
| | | 260 | 0.153 | 0.106 | 5 - 8 - 16 | 23 | 123 | 38.1 | 26.5 | 1.6 - 2.4 - 4.9 | 48 | 45 | 36 | 31 | 26 | 15 |
| | | 325 | 0.239 | 0.166 | 7 - 10 - 19 | 28 | 153 | 59.5 | 41.4 | 2.0 - 3.0 - 5.8 | 53 | 50 | 41 | 36 | 32 | 22 |
| | | 390 | 0.344 | 0.239 | 8 - 12 - 21 | 33 | 184 | 85.7 | 59.6 | 2.4 - 3.7 - 6.3 | 56 | 54 | 45 | 41 | 37 | 28 |
| | | 520 | 0.612 | 0.426 | 11 - 16 - 24 | 40 | 245 | 152.3 | 106.0 | 3.3 - 4.9 - 7.3 | 62 | 60 | 52 | 48 | 45 | 37 |
| | 4' | 150 | 0.024 | 0.009 | 1 - 3 - 7 | - | 71 | 6.1 | 2.2 | 0.4 - 0.8 - 2.0 | 33 | 32 | 21 | 14 | - | - |
| | | 290 | 0.091 | 0.033 | 4 - 6 - 13 | 24 | 137 | 22.6 | 8.2 | 1.3 - 1.9 - 3.8 | 47 | 46 | 36 | 30 | 25 | 16 |
| | | 360 | 0.140 | 0.051 | 5 - 8 - 16 | 29 | 170 | 34.9 | 12.7 | 1.6 - 2.4 - 4.8 | 51 | 50 | 41 | 36 | 32 | 23 |
| | | 430 | 0.200 | 0.073 | 6 - 9 - 19 | 33 | 203 | 49.8 | 18.1 | 1.9 - 2.9 - 5.7 | 55 | 54 | 45 | 40 | 37 | 28 |
| | | 570 | 0.351 | 0.128 | 8 - 12 - 25 | 40 | 269 | 87.5 | 31.8 | 2.5 - 3.8 - 7.6 | 61 | 60 | 52 | 47 | 45 | 37 |
| | 5' | 160 | 0.024 | 0.006 | 1 - 2 - 6 | - | 76 | 6.0 | 1.6 | 0.3 - 0.7 - 1.9 | 34 | 33 | 22 | 15 | - | - |
| | | 300 | 0.085 | 0.023 | 3 - 6 - 12 | 24 | 142 | 21.1 | 5.6 | 1.0 - 1.8 - 3.6 | 47 | 46 | 36 | 30 | 25 | 16 |
| | | 370 | 0.129 | 0.034 | 5 - 7 - 14 | 29 | 175 | 32.0 | 8.6 | 1.5 - 2.2 - 4.4 | 51 | 50 | 41 | 35 | 31 | 23 |
| | | 440 | 0.182 | 0.049 | 6 - 9 - 17 | 33 | 208 | 45.3 | 12.1 | 1.7 - 2.6 - 5.2 | 54 | 54 | 45 | 40 | 36 | 28 |
| | | 580 | 0.316 | 0.085 | 8 - 11 - 23 | 40 | 274 | 78.7 | 21.1 | 2.3 - 3.4 - 6.9 | 60 | 60 | 51 | 46 | 44 | 37 |
| 1 1/2" Slot Width 10" Oval Inlet | 2' | 140 | 0.037 | 0.031 | 3 - 4 - 9 | - | 66 | 9.2 | 7.7 | 0.9 - 1.3 - 2.6 | 32 | 28 | 17 | 11 | - | - |
| | | 320 | 0.198 | 0.161 | 7 - 10 - 19 | 23 | 151 | 49.4 | 40.1 | 2.0 - 3.0 - 5.7 | 49 | 45 | 36 | 31 | 25 | 14 |
| | | 410 | 0.326 | 0.265 | 8 - 13 - 21 | 29 | 193 | 81.1 | 65.9 | 2.6 - 3.8 - 6.5 | 54 | 50 | 42 | 37 | 32 | 22 |
| | | 500 | 0.484 | 0.393 | 10 - 15 - 23 | 34 | 236 | 120.6 | 98.0 | 3.1 - 4.7 - 7.1 | 58 | 55 | 46 | 42 | 38 | 28 |
| | | 680 | 0.896 | 0.728 | 14 - 19 - 27 | 41 | 321 | 223.1 | 181.2 | 4.3 - 5.9 - 8.3 | 64 | 61 | 53 | 49 | 47 | 38 |
| | 4' | 160 | 0.019 | 0.010 | 1 - 3 - 7 | - | 76 | 4.8 | 2.5 | 0.4 - 0.9 - 2.1 | 31 | 29 | 18 | 11 | - | - |
| | | 340 | 0.088 | 0.045 | 5 - 7 - 15 | 22 | 160 | 21.8 | 11.3 | 1.5 - 2.3 - 4.5 | 47 | 45 | 35 | 29 | 24 | 14 |
| | | 430 | 0.140 | 0.073 | 6 - 9 - 19 | 28 | 203 | 34.9 | 18.1 | 1.9 - 2.9 - 5.7 | 51 | 50 | 40 | 35 | 31 | 21 |
| | | 520 | 0.205 | 0.106 | 8 - 11 - 23 | 33 | 245 | 51.0 | 26.5 | 2.3 - 3.4 - 6.9 | 55 | 54 | 45 | 40 | 36 | 27 |
| | | 700 | 0.371 | 0.193 | 10 - 15 - 28 | 40 | 330 | 92.4 | 48.0 | 3.1 - 4.6 - 8.4 | 61 | 60 | 52 | 47 | 44 | 36 |
| | 5' | 170 | 0.018 | 0.007 | 1 - 2 - 7 | - | 80 | 4.4 | 1.8 | 0.3 - 0.7 - 2.0 | 31 | 30 | 18 | 12 | - | - |
| | | 360 | 0.080 | 0.033 | 5 - 7 - 14 | 23 | 170 | 19.9 | 8.1 | 1.4 - 2.1 - 4.3 | 47 | 45 | 35 | 30 | 24 | 14 |
| | | 455 | 0.127 | 0.052 | 6 - 9 - 18 | 29 | 215 | 31.7 | 13.0 | 1.8 - 2.7 - 5.4 | 51 | 50 | 41 | 36 | 31 | 22 |
| | | 550 | 0.186 | 0.076 | 7 - 11 - 21 | 33 | 260 | 46.4 | 19.0 | 2.2 - 3.3 - 6.5 | 55 | 54 | 45 | 40 | 37 | 28 |
| | | 740 | 0.337 | 0.138 | 10 - 14 - 29 | 41 | 349 | 83.9 | 34.3 | 2.9 - 4.4 - 8.7 | 61 | 60 | 52 | 47 | 45 | 37 |
| 1 1/2" Slot Width 12" Oval Inlet | 4' | 240 | 0.030 | 0.023 | 3 - 5 - 10 | - | 113 | 7.6 | 5.6 | 0.9 - 1.6 - 3.2 | 34 | 31 | 19 | 13 | - | - |
| | | 500 | 0.132 | 0.098 | 7 - 11 - 22 | 23 | 236 | 32.9 | 24.5 | 2.2 - 3.3 - 6.6 | 49 | 46 | 36 | 31 | 25 | 14 |
| | | 630 | 0.210 | 0.156 | 9 - 14 - 26 | 29 | 297 | 52.2 | 38.9 | 2.8 - 4.2 - 8.0 | 54 | 51 | 42 | 37 | 32 | 21 |
| | | 760 | 0.305 | 0.227 | 11 - 17 - 29 | 34 | 359 | 75.9 | 56.6 | 3.4 - 5.0 - 8.8 | 57 | 55 | 46 | 41 | 37 | 27 |
| | | 1020 | 0.549 | 0.409 | 15 - 22 - 34 | 41 | 481 | 136.8 | 101.9 | 4.5 - 6.8 - 10.2 | 63 | 61 | 53 | 48 | 46 | 36 |
| | 5' | 250 | 0.024 | 0.016 | 2 - 5 - 10 | - | 118 | 6.0 | 3.9 | 0.7 - 1.5 - 3.0 | 34 | 31 | 20 | 13 | - | - |
| | | 520 | 0.104 | 0.068 | 7 - 10 - 20 | 24 | 245 | 26.0 | 17.0 | 2.1 - 3.1 - 6.2 | 49 | 46 | 36 | 31 | 25 | 14 |
| | | 655 | 0.166 | 0.108 | 9 - 13 - 26 | 29 | 309 | 41.3 | 26.9 | 2.6 - 3.9 - 7.8 | 53 | 51 | 42 | 37 | 32 | 22 |
| | | 790 | 0.241 | 0.157 | 10 - 15 - 30 | 34 | 373 | 60.0 | 39.1 | 3.1 - 4.7 - 9.0 | 57 | 55 | 46 | 41 | 37 | 28 |
| | | 1060 | 0.434 | 0.283 | 14 - 21 - 34 | 41 | 500 | 108.1 | 70.4 | 4.2 - 6.3 - 10.4 | 63 | 61 | 53 | 48 | 46 | 37 |

NOTES: Throw values are given for terminal velocities of 150, 100, and 50 FPM (0.75, 0.50, and 0.25 m/s). Throw values for horizontal and vertical throw are given at isothermal conditions. Airflow is given for the length of the unit. NC values are based on octave band 2 - 7 sound power levels minus a room absorption of 10dB, re10⁻¹² Watts. Dash in space denotes a NC or dB value of less than 10. Data was obtained from tests conducted in accordance with ANSI/ASHRAE Standard 70, ISO Standard 5219, and ISO Standard 3741. See selection software for performance data not shown, including octave band data.

PTBS Performance Data: Vertical Throw

IP/METRIC DATA: PTBS, 1 1/2" SLOT WIDTH, 2-SLOT (NO DAMPER)

PLENUM SLOT DIFFUSERS

| | Linear Length | IP Data | | | | NC | Metric Data | | | | Octave Band, dB | | | | | |
|-------------------------------------|---------------|----------|----------|-------|----------------|----|-------------|----------|------|------------------|-----------------|----|----|----|----|----|
| | | Air Flow | Pressure | | Vertical Throw | | Air Flow | Pressure | | Vertical Throw | | | | | | |
| | | | Pt | Ps | | | | Pt | Ps | | | | | | | |
| | | CFM | "WG | "WG | ft | | L/s | Pa | Pa | m | 2 | 3 | 4 | 5 | 6 | 7 |
| 1 1/2" Slot Width 10" Oval Inlet | 2' | 170 | 0.021 | 0.011 | 2 - 3 - 7 | - | 80 | 5.2 | 2.8 | 0.5 - 1.0 - 2.3 | 32 | 31 | 19 | 13 | - | - |
| | | 350 | 0.093 | 0.048 | 5 - 8 - 15 | 23 | 165 | 23.1 | 12.0 | 1.5 - 2.3 - 4.6 | 47 | 45 | 36 | 30 | 25 | 14 |
| | | 440 | 0.147 | 0.076 | 6 - 10 - 19 | 29 | 208 | 36.5 | 19.0 | 1.9 - 2.9 - 5.8 | 52 | 50 | 41 | 36 | 31 | 22 |
| | | 530 | 0.213 | 0.111 | 8 - 12 - 23 | 33 | 250 | 53.0 | 27.5 | 2.3 - 3.5 - 7.0 | 56 | 54 | 45 | 40 | 37 | 27 |
| | | 710 | 0.382 | 0.198 | 10 - 15 - 28 | 40 | 335 | 95.0 | 49.4 | 3.1 - 4.7 - 8.5 | 62 | 60 | 52 | 47 | 45 | 37 |
| | 4' | 190 | 0.017 | 0.004 | 1 - 2 - 6 | - | 90 | 4.2 | 0.9 | 0.2 - 0.5 - 1.8 | 31 | 31 | 19 | 12 | - | - |
| | | 380 | 0.067 | 0.014 | 3 - 6 - 12 | 23 | 179 | 16.6 | 3.5 | 0.8 - 1.8 - 3.6 | 46 | 45 | 35 | 29 | 24 | 14 |
| | | 475 | 0.104 | 0.022 | 4 - 7 - 15 | 28 | 224 | 26.0 | 5.5 | 1.3 - 2.2 - 4.5 | 50 | 50 | 40 | 34 | 30 | 21 |
| | | 570 | 0.150 | 0.032 | 6 - 9 - 18 | 33 | 269 | 37.4 | 8.0 | 1.8 - 2.7 - 5.3 | 54 | 54 | 44 | 39 | 35 | 27 |
| | | 760 | 0.267 | 0.057 | 8 - 12 - 23 | 40 | 359 | 66.5 | 14.1 | 2.4 - 3.6 - 7.1 | 60 | 60 | 51 | 46 | 44 | 36 |
| | 5' | 200 | 0.017 | 0.003 | 1 - 1 - 5 | - | 94 | 4.3 | 0.6 | 0.2 - 0.4 - 1.5 | 31 | 32 | 20 | 12 | - | - |
| | | 400 | 0.068 | 0.010 | 2 - 5 - 11 | 24 | 189 | 17.0 | 2.5 | 0.6 - 1.5 - 3.4 | 45 | 46 | 35 | 29 | 24 | 15 |
| | | 500 | 0.107 | 0.016 | 3 - 7 - 14 | 29 | 236 | 26.6 | 3.9 | 1.0 - 2.1 - 4.2 | 50 | 51 | 41 | 35 | 30 | 22 |
| | | 600 | 0.154 | 0.023 | 5 - 8 - 17 | 33 | 283 | 38.2 | 5.6 | 1.5 - 2.5 - 5.0 | 54 | 54 | 45 | 39 | 36 | 28 |
| | | 800 | 0.273 | 0.040 | 7 - 11 - 22 | 40 | 378 | 68.0 | 10.0 | 2.2 - 3.4 - 6.7 | 60 | 60 | 51 | 46 | 44 | 37 |
| 1 1/2" Slot Width 12" Oval Inlet | 4' | 200 | 0.009 | 0.004 | 1 - 2 - 6 | - | 94 | 2.3 | 1.0 | 0.2 - 0.5 - 1.9 | 27 | 25 | 13 | - | - | - |
| | | 490 | 0.056 | 0.024 | 4 - 8 - 15 | 21 | 231 | 13.9 | 5.9 | 1.4 - 2.3 - 4.6 | 45 | 44 | 33 | 27 | 21 | 11 |
| | | 635 | 0.094 | 0.040 | 7 - 10 - 20 | 27 | 300 | 23.4 | 9.9 | 2.0 - 3.0 - 6.0 | 50 | 49 | 39 | 34 | 29 | 19 |
| | | 780 | 0.142 | 0.060 | 8 - 12 - 24 | 32 | 368 | 35.3 | 14.9 | 2.4 - 3.7 - 7.3 | 55 | 53 | 44 | 39 | 35 | 25 |
| | | 1070 | 0.267 | 0.113 | 11 - 16 - 33 | 40 | 505 | 66.4 | 28.0 | 3.3 - 5.0 - 10.0 | 61 | 60 | 51 | 46 | 44 | 35 |
| | 5' | 210 | 0.009 | 0.003 | 1 - 1 - 5 | - | 99 | 2.2 | 0.7 | 0.2 - 0.4 - 1.6 | 27 | 26 | 13 | - | - | - |
| | | 510 | 0.051 | 0.016 | 3 - 7 - 14 | 21 | 241 | 12.8 | 4.1 | 1.1 - 2.1 - 4.3 | 45 | 44 | 34 | 27 | 21 | 11 |
| | | 660 | 0.086 | 0.027 | 6 - 9 - 18 | 28 | 311 | 21.4 | 6.8 | 1.8 - 2.8 - 5.5 | 50 | 49 | 39 | 34 | 29 | 19 |
| | | 810 | 0.130 | 0.041 | 7 - 11 - 22 | 33 | 382 | 32.2 | 10.3 | 2.3 - 3.4 - 6.8 | 54 | 54 | 44 | 39 | 35 | 26 |
| | | 1110 | 0.243 | 0.078 | 10 - 15 - 31 | 40 | 524 | 60.6 | 19.3 | 3.1 - 4.7 - 9.3 | 61 | 60 | 51 | 46 | 44 | 36 |

NOTES: Throw values are given for terminal velocities of 150, 100, and 50 FPM (0.75, 0.50, and 0.25 m/s). Throw values for horizontal and vertical throw are given at isothermal conditions. Airflow is given for the length of the unit. NC values are based on octave band 2 - 7 sound power levels minus a room absorption of 10dB, re10⁻¹² Watts. Dash in space denotes a NC or dB value of less than 10. Data was obtained from tests conducted in accordance with ANSI/ASHRAE Standard 70, ISO Standard 5219, and ISO Standard 3741. See selection software for performance data not shown, including octave band data.

PTBS Suggested Specification & Configuration
1. SERIES: (XXXX)

PTBS - Plenum Slot Steel Diffuser with Gasketed Blade

2. INSULATION: (X)

 N - No Insulation
 Y - Insulation

3. SLOT LENGTH: (XX)

24", 36", 48", or 60"

4. NUMBER OF SLOTS: (X)

1, 2, 3, or 4

5. PLENUM INLET SIZE: (XX)

 5" Round *
 6", 8", 10", or 12" Oval †

6. SLOT WIDTH: (XXX)

 75 - 3/4"
 100 - 1"
 150 - 1 1/2"

7. FINISH: (XX)

 35 - Black Face and Tees
 50 - White Exposed Surfaces, Black Pattern
 Controller, White Optional Tees
 55 - Black Face with Optional White Tees

8. DAMPER: (XX)

 00 - No Damper
 QD - Quadrant

9. FRAME STYLE / T-BAR LOCATION: (XXX)

 23A - All Tees by Others
 23B - Center Tee Only
 23C - Tees on Both Sides
 23D - Center and Outside Tees
 F98 - Narrow-T Ceiling, All Tees by Others **

10. MOUNTING TYPE: (XXXX)

 00 - No Mounting
 PF - Plaster Frame ***
 CN - Center Notch
 MTT1 - Mounting Tab Opposite Inlet
 MTT2 - Mounting Tabs on Both Sides

* 5" Round inlet not available on 48" or 60" units.

 ** Frame 98 only available in 1 or 2 slots,
 24" or 48" lengths, and 35 Black.

 *** Mounting type PF only available with Frame 23A
 (1 slot only) and Frame 23B.

† 12" Inlet only available in 48" and 60" lengths.

PTBS

The plenum slot supply diffuser shall be Krueger model PTBS constructed of 24 gage galvanized steel with factory drawn inlet to prevent air leakage. The PTBS shall have 3/4", 1" or 1 1/2" slot width with 1, 2, 3 or 4 slots. The PTBS shall have an extruded aluminum pattern controller with a gasket on the top edge to form a seal against the plenum wall or slot divider to provide horizontal discharge. The pattern controller shall be field adjustable from vertical (factory default) to horizontal discharge.

Optional plaster frame is available for installation into hard ceilings.

Optional 1/4" thick, 2 lb. density internal insulation is available.

Optional quadrant damper for field attachment to the neck is available.

PERFORMANCE

The manufacturer shall provide published (printed or electronic) performance data for the diffuser. Performance data shall include 2 - 7 octave band sound power levels. The diffuser shall be tested in accordance to the data standards at the time of product introduction or ANSI/ASHRAE Standard 70.

FINISH

The standard finish shall have a black face and pattern controllers with optional white T-Bars.