

**Introduction: SRNA2**
**MODEL**

SRNA2 - Square to Round Transition, Steel Construction

**FEATURE**

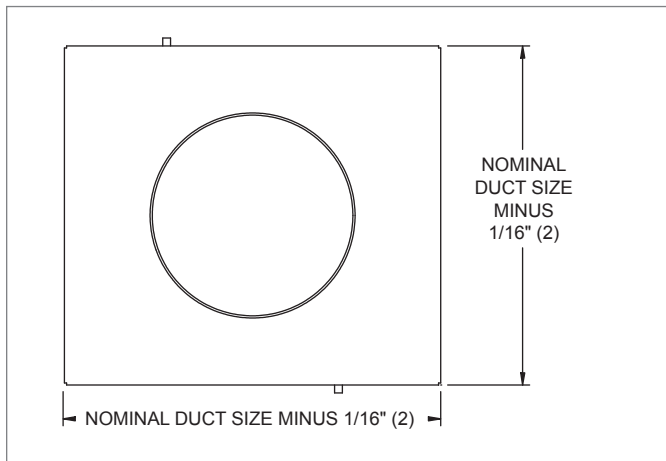
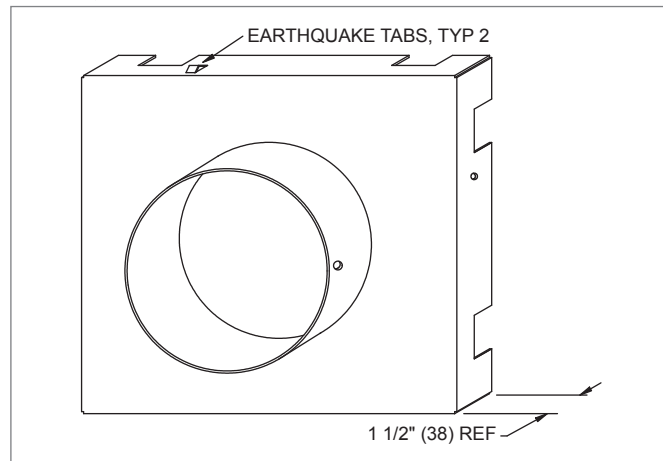
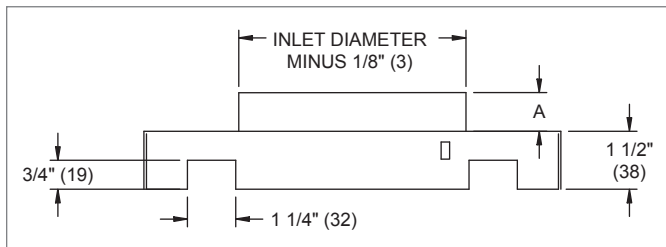
- Shipped loose for field installation.

**FINISH**

- Standard finish is Mill.



SRNA2 (Side View)

**SRNA2 Dimensional Information**
**SRNA2, TOP VIEW**

**SRNA2, ISOMETRIC VIEW**

**SRNA2, SIDE VIEW**

**SRNA2, INLET HEIGHT**

Nominal Inlet Diameter	A
6" (152)	1" (25)
8" (203)	1 1/4" (32)
10" (254)	
12" (305)	
14" (356)	
16" (406)	

**AVAILABLE SIZES**

Square Duct Sizes	Inlet Diameter Sizes					
	6" (152)	8" (203)	10" (254)	12" (305)	14" (356)	16" (406)
6" x 6" (152 x 152)	•					
9" x 9" (229 x 229)	•	•				
12" x 12" (305 x 305)	•	•	•	•		
15" x 15" (381 x 381)	•	•	•	•	•	
18" x 18" (457 x 457)	•	•	•	•	•	•

NOTES: Dimensions in parentheses are mm.  
 Reference page Q1-26 for applicable product.  
 Dot indicates available size.