



SRNA

Introduction: SRNA

MODEL

SRNA - Square to Round Transition, Steel Construction

FEATURE

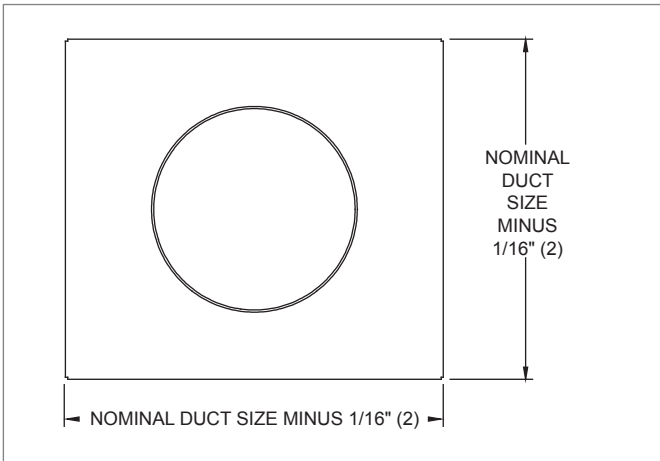
- Shipped loose for field installation.

FINISH

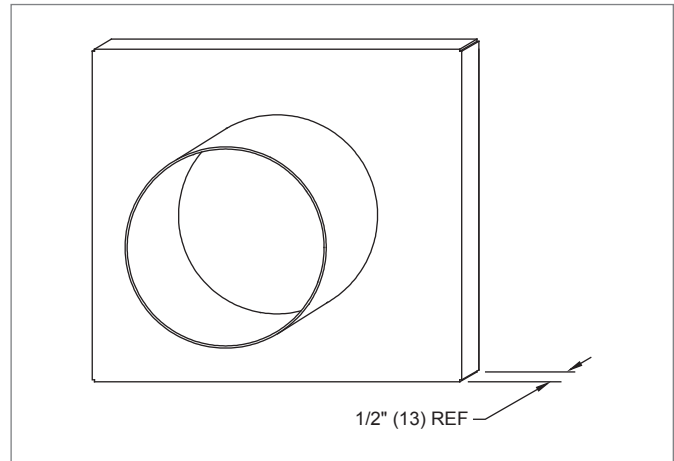
- Standard finish is #44 British White.

SRNA Dimensional Information

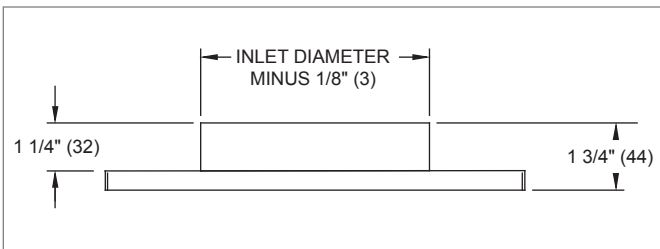
SRNA, TOP VIEW



SRNA, ISOMETRIC VIEW



SRNA, SIDE VIEW



AVAILABLE SIZES

Square Duct Sizes	Inlet Diameter Sizes		
	14" (356)	16" (406)	18" (457)
18" x 18" (457 x 457)			•
21" x 21" (533 x 533)	•	•	•

NOTES: Dimensions in parentheses are mm.
Reference page Q1-26 for applicable product.
Dot indicates available size.