

RSG15

Introduction: RSG15

MODEL

RSG15 - Straightening Grid with Adapter Ring,
Steel Construction

FEATURES

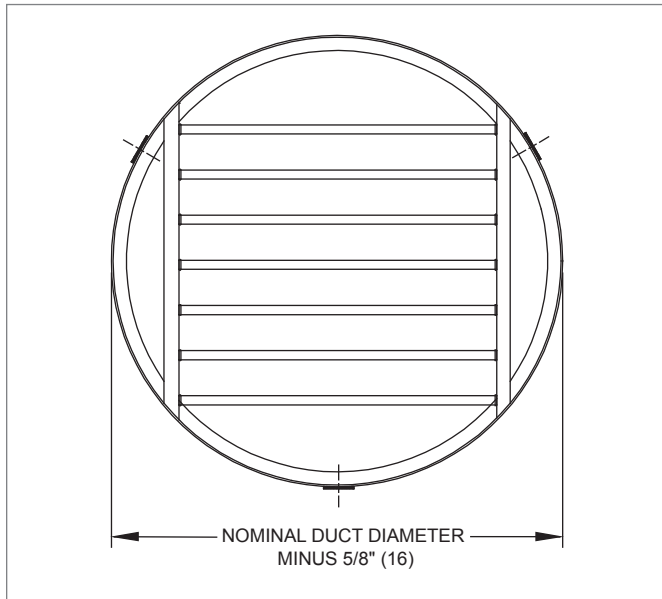
- Used for round neck diffusers.
- Individually adjustable blades.
- Shipped loose for field installation.

FINISH

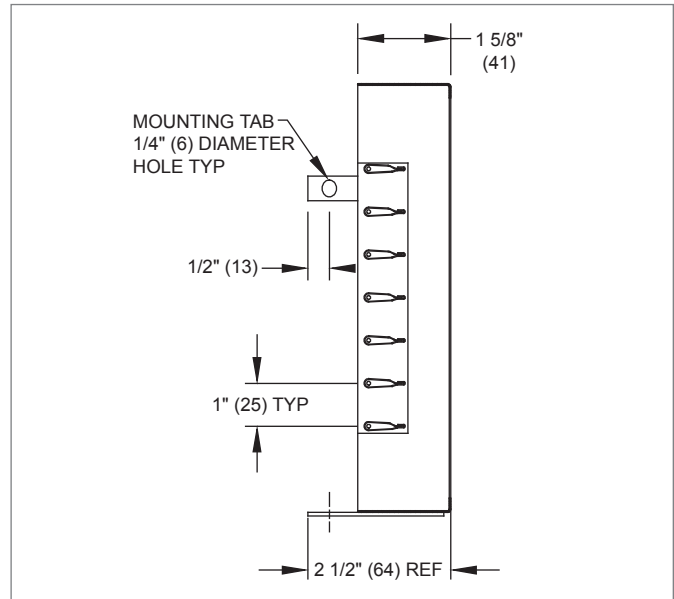
- Standard finish is #44 British White.

RSG15 Dimensional Information

RSG15, FACE VIEW



RSG15, CROSS SECTION



AVAILABLE SIZES

Nominal Duct Diameter
6" (152)
7" (178)
8" (203)
10" (254)
12" (305)
14" (356)
15" (381)

NOTES: Dimensions in parentheses are mm.
Reference page Q1-26 for applicable product.