

Introduction: PR12
MODEL

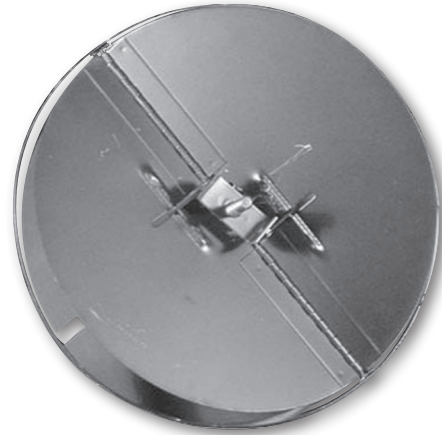
PR12 - Round, Duct Mounted Butterfly Damper with Adapter Ring, Steel Construction

FEATURES

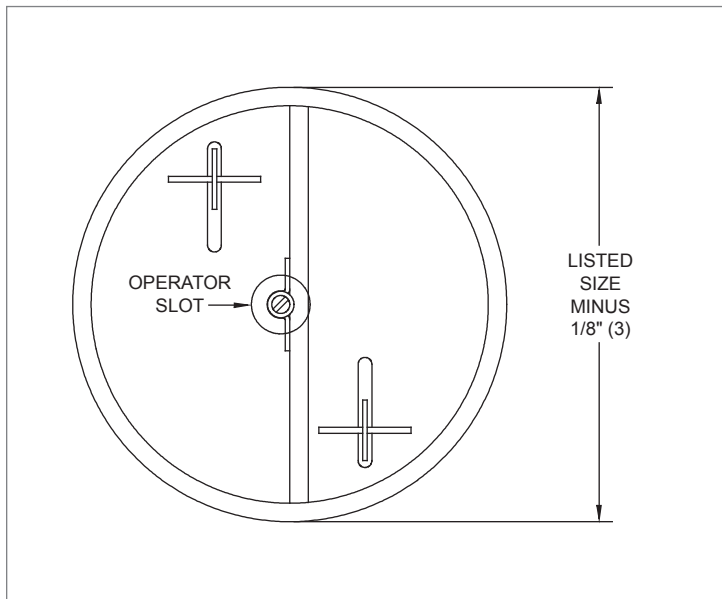
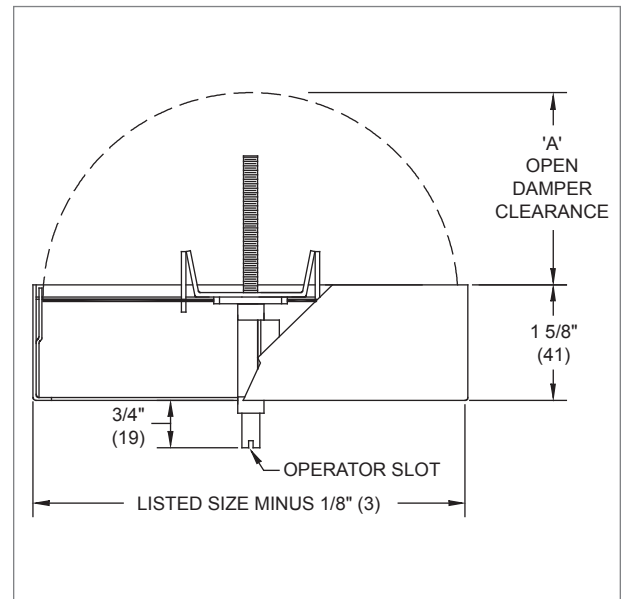
- Used for round neck diffusers.
- Operated by flat-head screwdriver through face.
- Shipped loose for field installation.

FINISH

- Standard finish is Black.



PR12

PR12 Dimensional Information
PR12, FACE VIEW

PR12, CROSS SECTION

AVAILABLE SIZES

Size	A
6" (152)	2 7/16" (62)
8" (203)	3 7/16" (87)
10" (254)	4 7/16" (113)
12" (305)	5 7/16" (138)
14" (356)	6 7/16" (164)
15" (381)	6 15/16" (176)
16" (406)	7 7/16" (189)
18" (457)	8 7/16" (214)
20" (508)	9 7/16" (240)
24" (610)	11 7/16" (291)

NOTES: Dimensions in parentheses are mm.
 Reference page Q1-26 for applicable product.