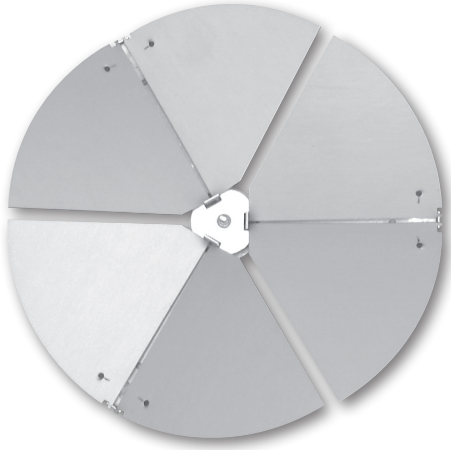


PR10 | Radial, Opposed Blade Damper

AIR DISTRIBUTION ACCESSORIES



PR10

Introduction: PR10

MODEL

PR10 - Neck Mounted, Radial Opposed Blade Damper, Steel Construction

FEATURES

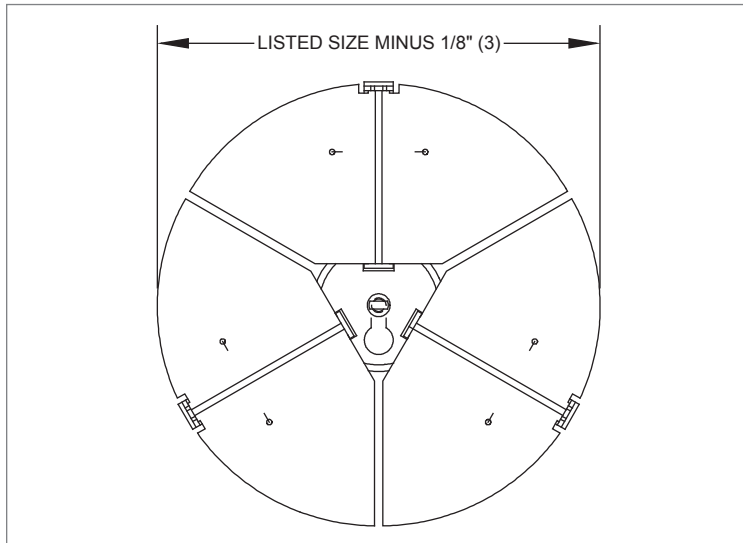
- Used for round hard duct applications.
- Gang operated blades distribute air evenly.
- 3 Sets of blades for sizes 6" (152) to 12" (305).
- Adjustable by flat-head screwdriver at the operator slot.
- Shipped loose for field installation.

FINISH

- Standard finish is Mill.

PR10 Dimensional Information

PR10, FACE VIEW

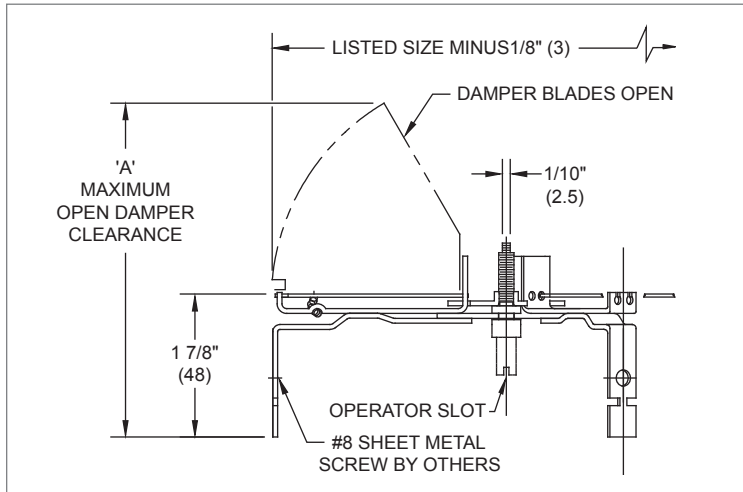


AVAILABLE SIZES

Size	A*
6" (152)	4 1/4" (108)
7" (178)	4 11/16" (119)
8" (203)	5 1/8" (130)
10" (254)	6" (152)
12" (305)	6 7/8" (175)

NOTES: Dimensions in parentheses are mm.
Reference page Q1-26 for applicable product.
* Damper blade position fully open.

PR10, CROSS SECTION



P R 1 0