

OBDSHV

**Introduction: OBDSHV, OBD1240, 5OBD1240**

**MODELS**

- OBDSHV - Opposed Blade Damper, Steel Construction
- OBD1240 - Opposed Blade Damper, Aluminum Construction
- 5OBD1240 - Opposed Blade Damper, Aluminum Construction

**FEATURES**

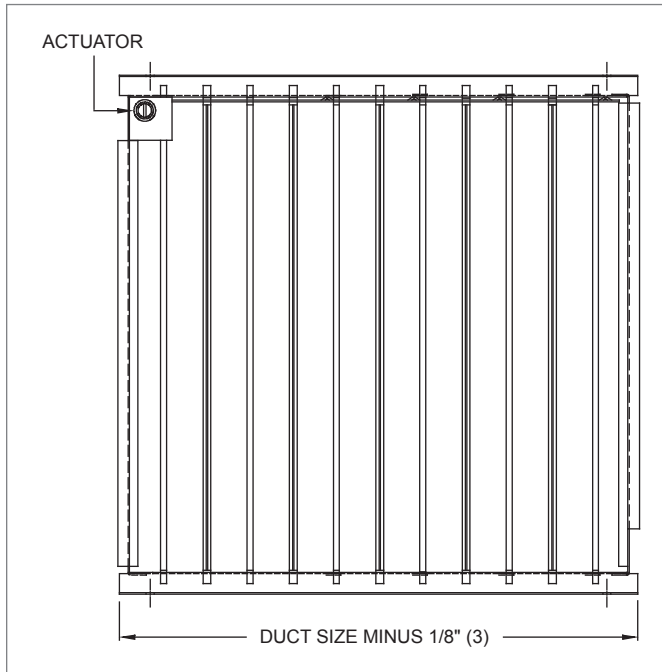
- Operated by flat-head screwdriver through face.
- Maximum single size damper is 15"x24" (381x610mm); multiple dampers used to create larger sizes.

**FINISH**

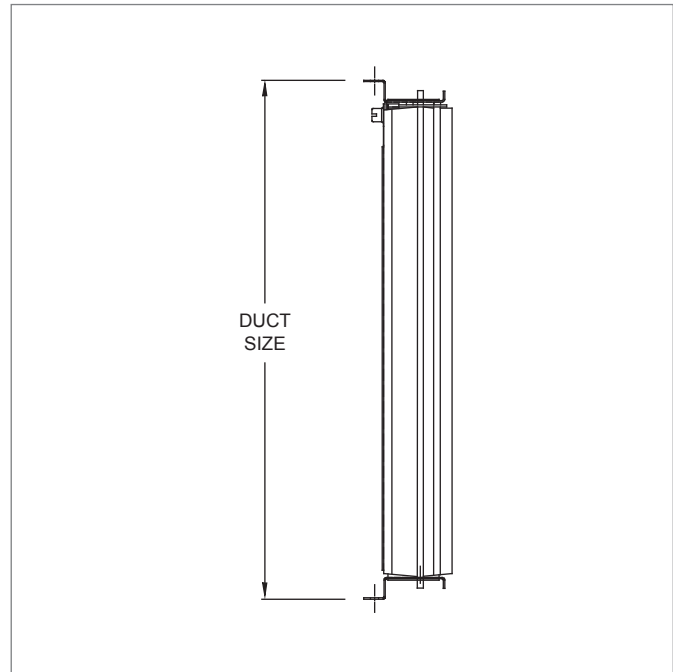
- Standard finish is Mill.

**OBDSHV, OBD1240, 5OBD1240 Dimensional Information**

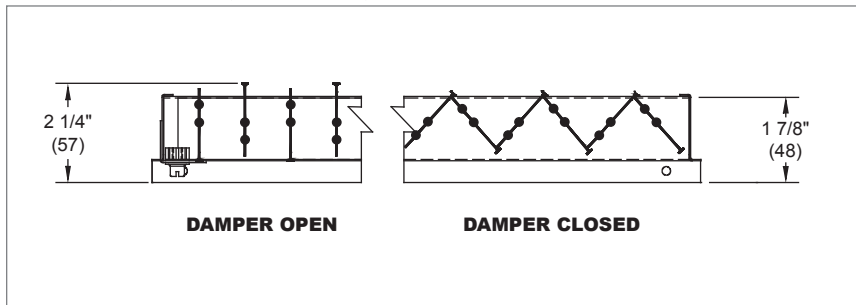
**OBDSHV, OBD1240, 5OBD1240, FACE VIEW**



**OBDSHV, OBD1240, 5OBD1240, SIDE VIEW**



**OBDSHV, OBD1240, 5OBD1240, CROSS SECTION**



NOTES: Dimensions in parentheses are mm. Reference page Q1-26 for applicable product.

**AVAILABLE SIZES**

Model	Available Sizes
SHV	6"x6" to 48"x48"; 3" Increments
5SHV	6"x6" to 36"x36"; 3" Increments
6400	6"x6", 8"x8", 10"x10", 12"x12", 14"x14", 15"x15", 18"x6", 18"x18", 22"x10", 22"x22", 46"x22"
56400	6"x6", 8"x8", 10"x10", 12"x12", 15"x15", 18"x18", 22"x22"
1240	6"x6", 8"x8", 10"x10", 12"x12", 14"x14", 16"x16", 18"x18", 20"x20", 22"x22", 24"x24"