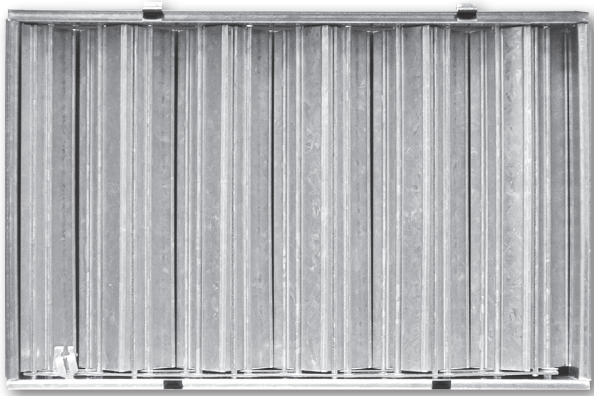


OBDDM | Duct Mounted, Opposed Blade Damper

AIR DISTRIBUTION ACCESSORIES



OBDDM

**Introduction: OBDDM**

**MODEL**

OBDDM - Duct Mounted Opposed Blade Damper, Steel Construction

**FEATURES**

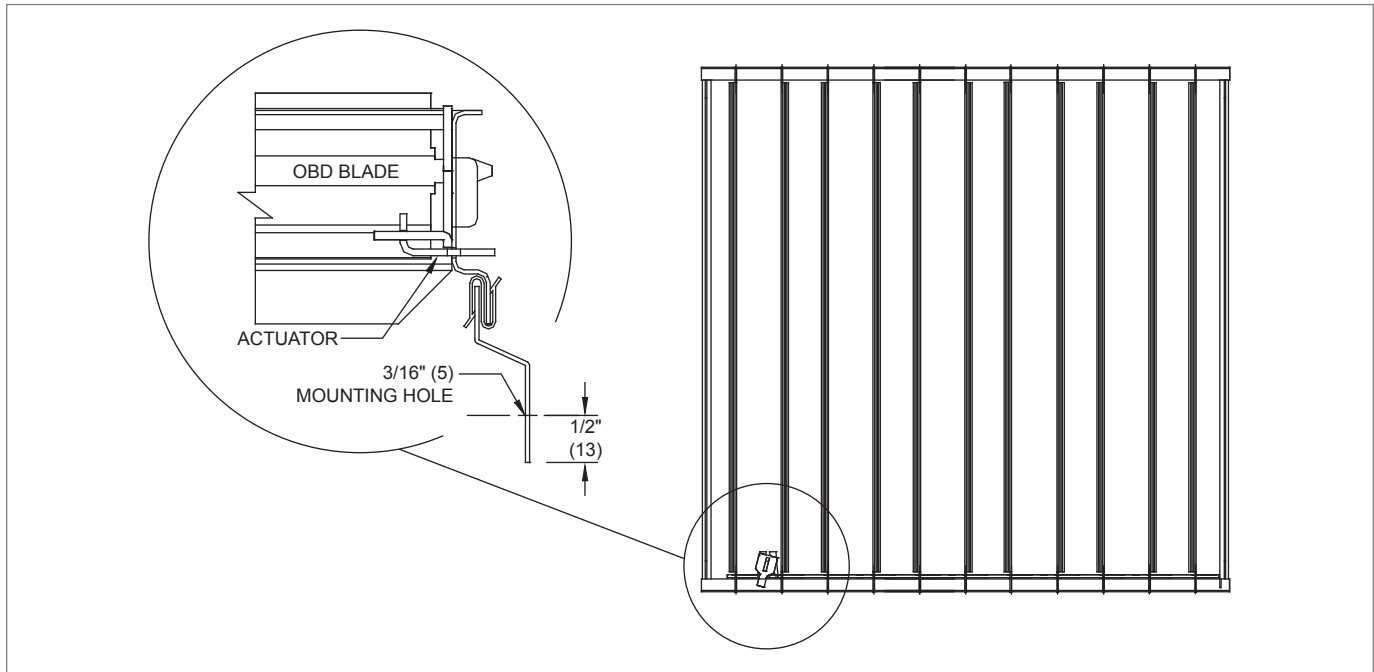
- Operated by flat-head screwdriver through face.
- Maximum single size damper is 18"x24" (457x610mm); multiple dampers used to create larger sizes.

**FINISH**

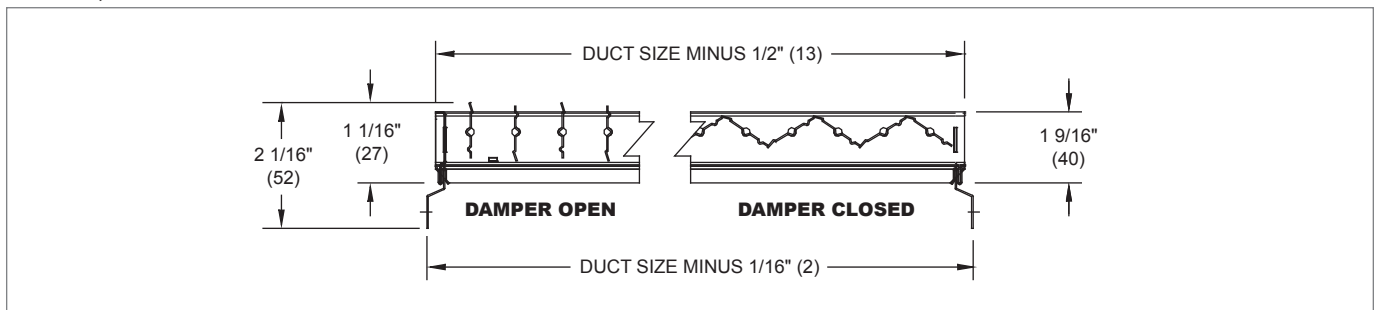
- Standard finish is Mill.

**OBDDM Dimensional Information**

**OBDDM, FACE VIEW**



**OBDDM, CROSS SECTION**



NOTES: Dimensions in parentheses are mm. Reference page Q1-26 for applicable product.

OBDDM

© KRUEGER 2012