

HCF23 | Steel Adapter Frame

AIR DISTRIBUTION ACCESSORIES



HCF23

Introduction: HCF23

MODEL

HCF23 - Adapter Frame, Steel Construction

FEATURES

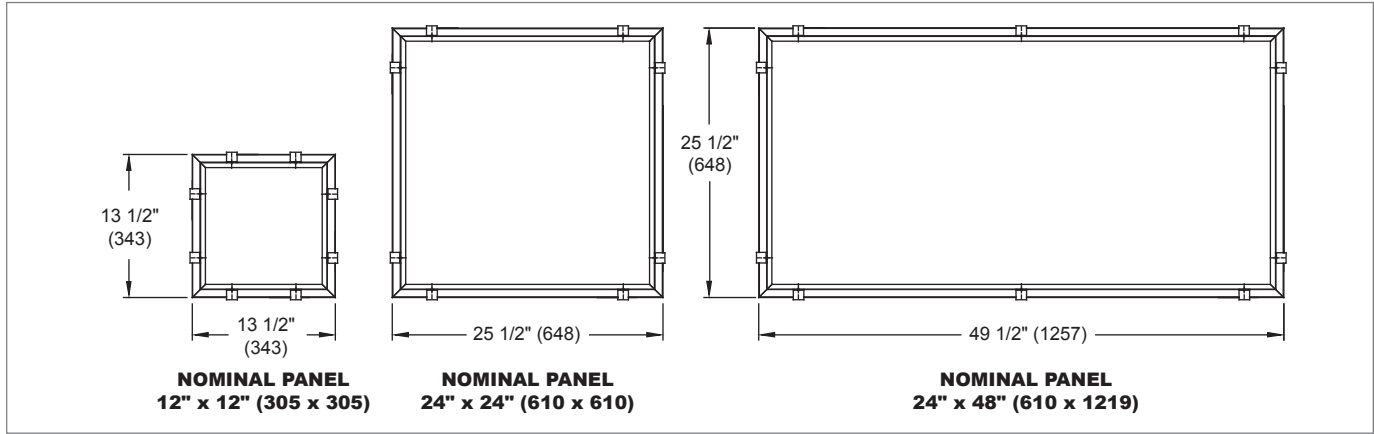
- Mounts lay-in diffusers into a surface mount ceiling.
- Size based on panel size of lay-in diffuser.

FINISH

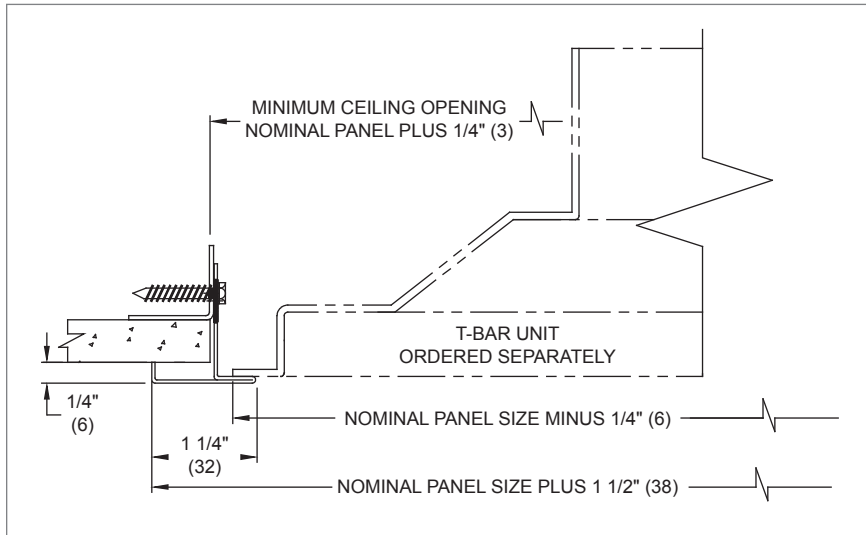
- Standard finish is #44 British White.

HCF23 Dimensional Information

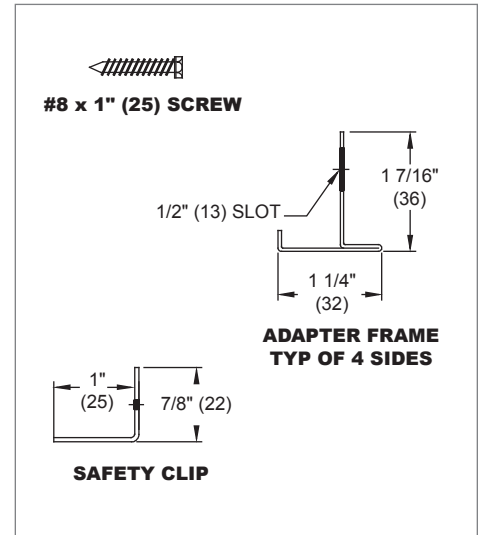
HCF23, TOP VIEW



HCF23, FRAME ASSEMBLY & INSTALLATION



HCF23, HARDWARE DETAIL



NOTES: Dimensions in parentheses are mm. Reference page Q1-26 for applicable product.

AVAILABLE SIZES

Available Panel Sizes				
12"x12"	24"x12"	48"x12"	24"x24"	48"x24"