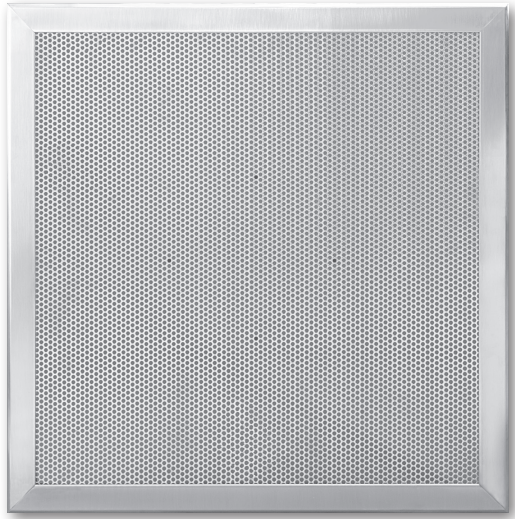


9S84P

Stainless Steel Supply Diffuser, Perforated Face



INTRODUCTION

The 9S84P series stainless steel perforated diffuser features a one piece, 4-way deflector mounted to the back of the perforated face to give the aesthetics of a perforated diffuser with a 4-way blow pattern. They feature 51% free-area and are available for surface mount or lay-in T-bar applications.

MODEL

9S84P - Perforated Supply Diffuser

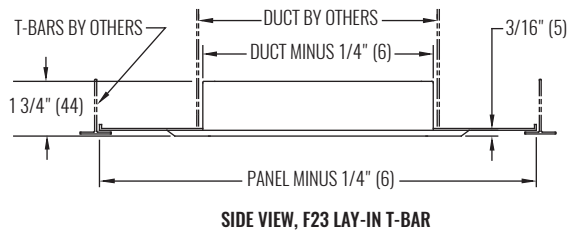
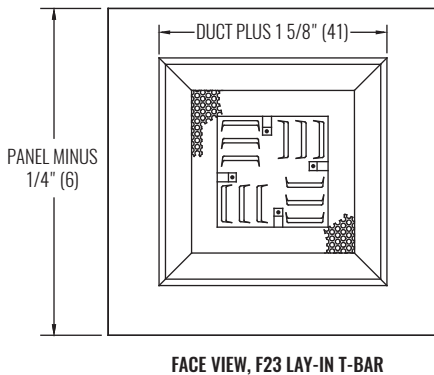
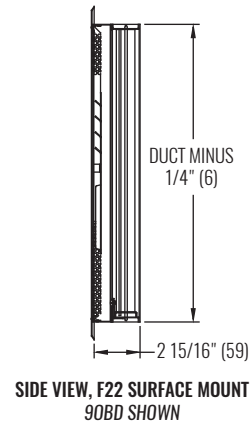
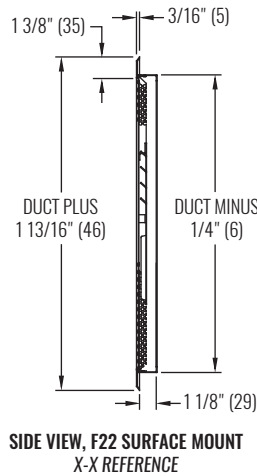
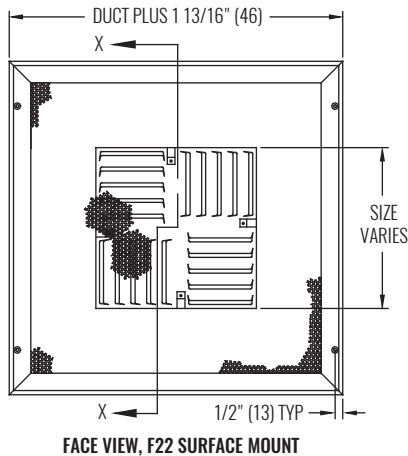
FEATURES

- 3/16" Holes on 1/4" staggered centers (51% free area)
- 304 Stainless steel construction (316 optional)
- 4-Way deflection
- Countersunk screw holes in mounting frame
- Standard finish is 90 - #4 Satin Polish or 44 - British White

ACCESSORIES

- Stainless steel OBD welded to unit, adjustable from face of diffuser (model 9OBD)
- Plaster frame (model 98PF)
- Square to round adapter (model 9SRA)

DIMENSIONAL DATA



NOTE: Dimensions in parentheses are millimeters (mm).