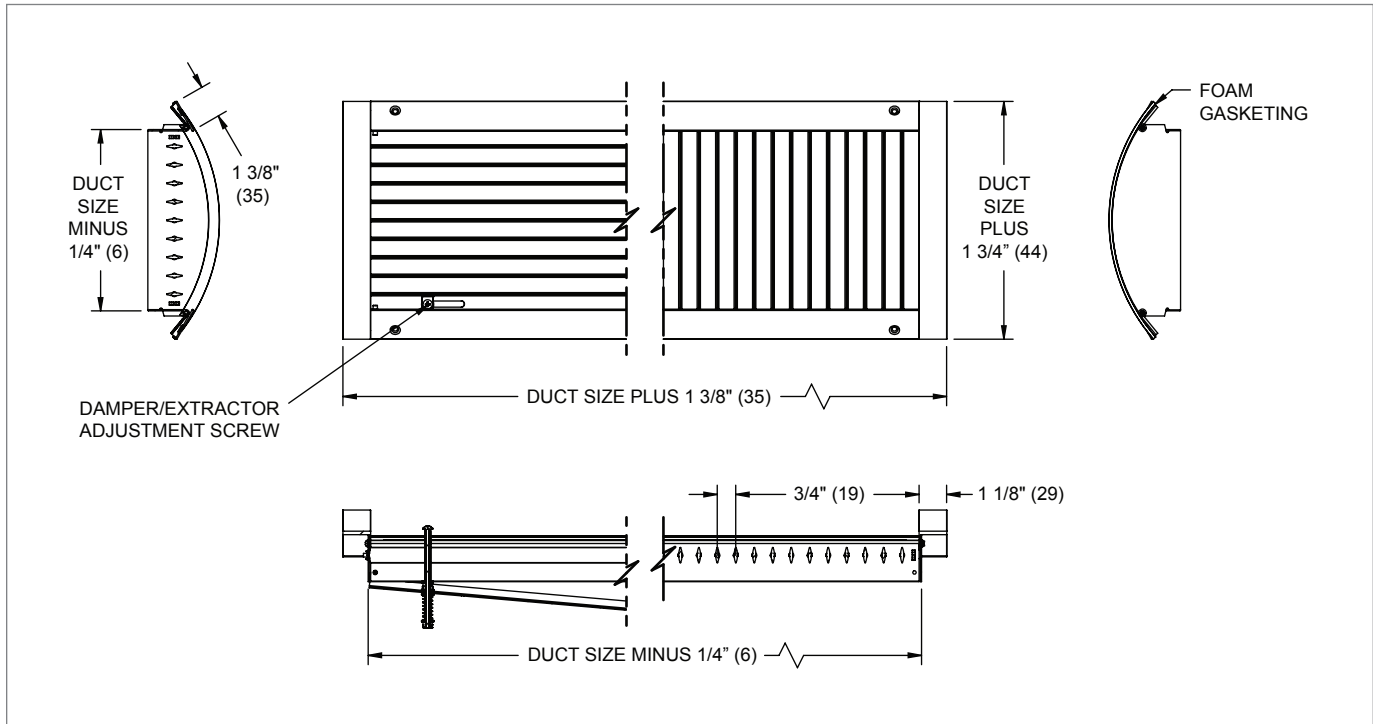


5DMGSR | Single Deflection, Radius End Caps

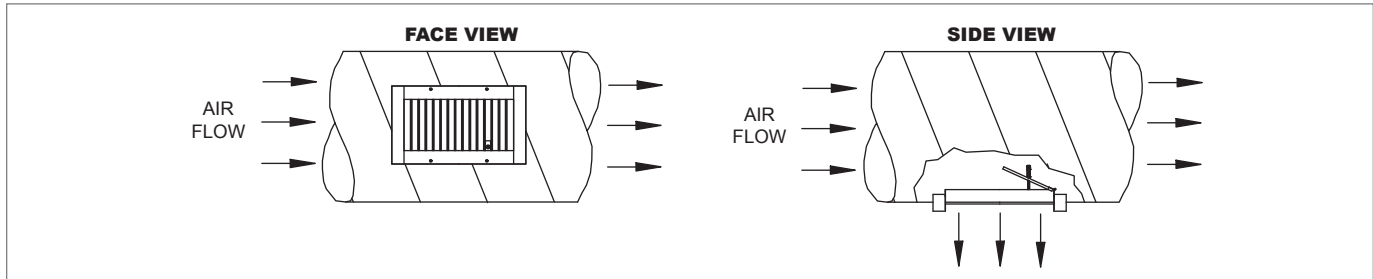
**5DMGSR Dimensional Information**

**5DMGSR, FACE VIEW, SIDE VIEW, & CROSS SECTIONS**



DUCT MOUNTED GRILLES & LOUVERS

**5DMGSR, AIRFLOW DESCRIPTIONS**



**5DMGSR Dimensional Details**

**5DMGSR, AVAILABLE SIZES & MINIMUM DUCT DIAMETERS**

		Width										
		10" (254)	12" (305)	14" (356)	16" (406)	18" (457)	20" (508)	24" (610)	30" (762)	36" (914)	42" (1067)	48" (1219)
Height	3" (76)	6" (152)	6" (152)	6" (152)	6" (152)	6" (152)	6" (152)	6" (152)	6" (152)	6" (152)	6" (152)	6" (152)
	4" (102)	6" (152)	6" (152)	6" (152)	6" (152)	6" (152)	6" (152)	6" (152)	6" (152)	6" (152)	6" (152)	6" (152)
	6" (152)	8" (203)	8" (203)	8" (203)	8" (203)	8" (203)	8" (203)	8" (203)	8" (203)	8" (203)	8" (203)	8" (203)
	8" (203)	10" (254)	10" (254)	10" (254)	10" (254)	10" (254)	10" (254)	10" (254)	10" (254)	10" (254)	10" (254)	10" (254)
	10" (254)	12" (305)	12" (305)	12" (305)	12" (305)	12" (305)	12" (305)	12" (305)	12" (305)	12" (305)	12" (305)	12" (305)
	12" (305)	-	14" (356)	14" (356)	14" (356)	14" (356)	14" (356)	14" (356)	14" (356)	14" (356)	14" (356)	14" (356)

NOTES: Dimensions in parentheses are mm. Maximum duct diameter for all sizes is 36" (914). Duct diameter available in 2" increments. Dash in space indicates not available.

5DMGSR

© KRUEGER 2012