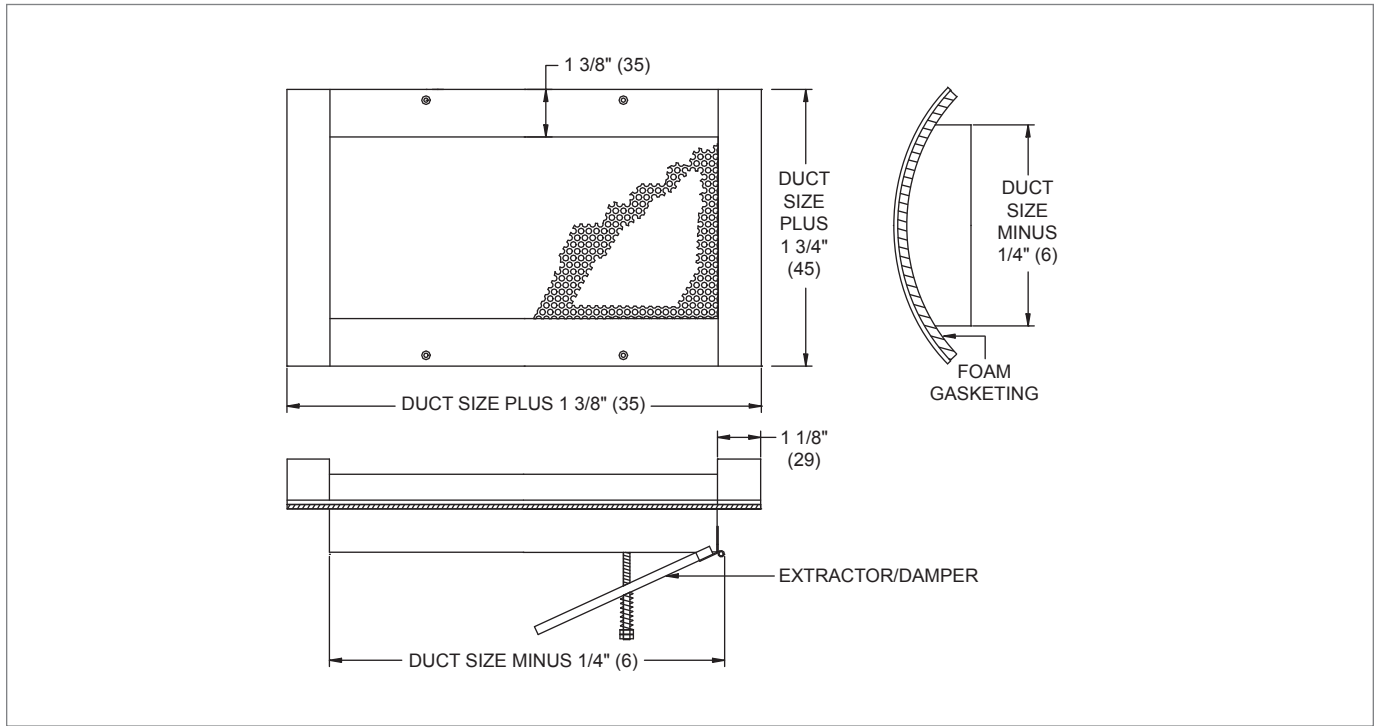


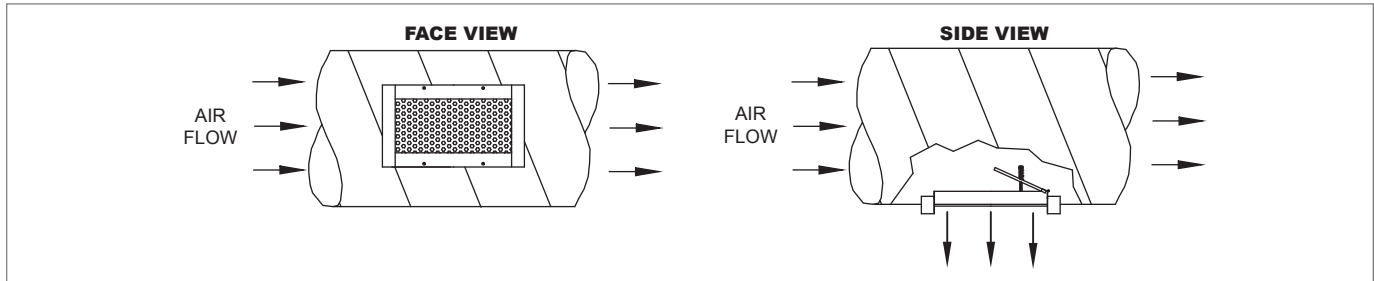
5DMGPR | Perforated Face, Radius End Caps

5DMGPR Dimensional Data

5DMGPR, FACE VIEW, SIDE VIEW, & CROSS SECTIONS



5DMGPR, AIRFLOW DESCRIPTIONS



5DMGPR Dimensional Details

5DMGPR, AVAILABLE SIZES & MINIMUM DUCT DIAMETERS

		Width										
		10" (254)	12" (305)	14" (356)	16" (406)	18" (457)	20" (508)	24" (610)	30" (762)	36" (914)	42" (1067)	48" (1219)
Height	3" (76)	6" (152)	6" (152)	6" (152)	6" (152)	6" (152)	6" (152)	6" (152)	6" (152)	6" (152)	6" (152)	6" (152)
	4" (102)	6" (152)	6" (152)	6" (152)	6" (152)	6" (152)	6" (152)	6" (152)	6" (152)	6" (152)	6" (152)	6" (152)
	6" (152)	8" (203)	8" (203)	8" (203)	8" (203)	8" (203)	8" (203)	8" (203)	8" (203)	8" (203)	8" (203)	8" (203)
	8" (203)	10" (254)	10" (254)	10" (254)	10" (254)	10" (254)	10" (254)	10" (254)	10" (254)	10" (254)	10" (254)	10" (254)
	10" (254)	12" (305)	12" (305)	12" (305)	12" (305)	12" (305)	12" (305)	12" (305)	12" (305)	12" (305)	12" (305)	12" (305)
	12" (305)	-	14" (356)	14" (356)	14" (356)	14" (356)	14" (356)	14" (356)	14" (356)	14" (356)	14" (356)	14" (356)

NOTES: Dimensions in parentheses are mm. Maximum duct diameter for all sizes is 36" (914). Duct diameter available in 2" increments. Dash in space indicates not available.

DUCT MOUNTED GRILLES & LOUVERS

5DMGPR