

Introduction: DPL, DPL2

The DPL/DPL2 series drum louvers deliver air with extremely long throws, which makes them ideally suited for installation in large enclosures. Controlling length of the throw and direction is made possible by rotating the adjustable drum and louver vanes. The DPL2 offers a split vane for added control of airflow. The drum rotation features 60° angular adjustment of the jet centerline (30° up from centerline to 30° down). Combining these two features together, the DPL and DPL2 facilitate complete air coverage in the occupied area. Drum louvers may be mounted in either a horizontal or vertical position without affecting the distribution of air from the outlet, which offers architects and engineers unlimited application possibilities without location restrictions. As an added benefit, the long throws reduce costly branch ducting often required when other types of air outlets are employed.

MODELS

DPL - Drum Louver

DPL2 - Drum Louver with Split Vanes

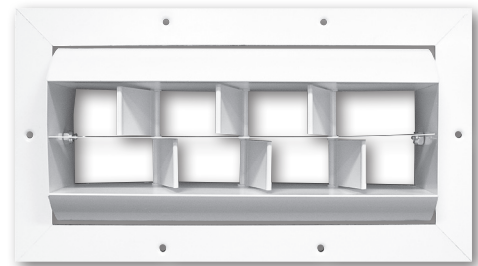
FEATURES

- Extruded aluminum, rear hinged blades and aluminum frame construction.
- Up to 60° of rotation.

DPL



DPL2



ACCESSORY

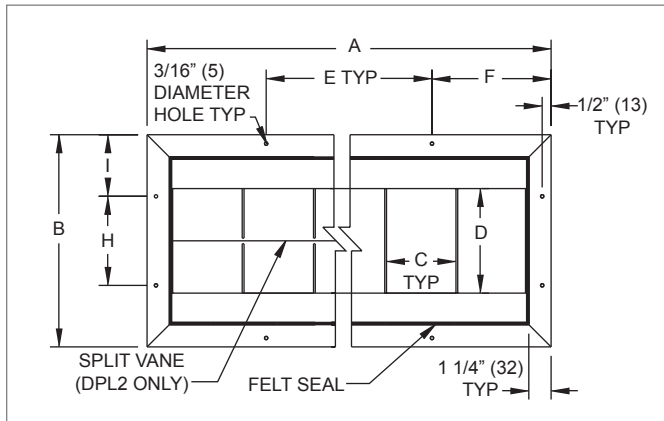
- Heavy Duty Damper (Model DOBHD)

FINISHES

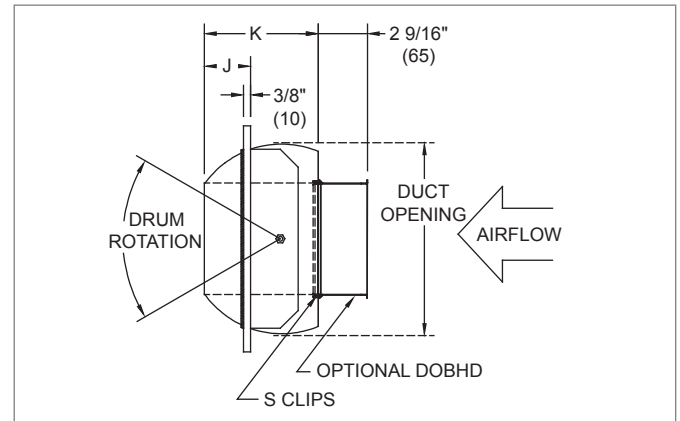
- Standard finish is #44 British White.
- Optional finish is Mill.
(Grille/damper shares common finish.)

Face View, Cross Section, & Rotation Details: DPL

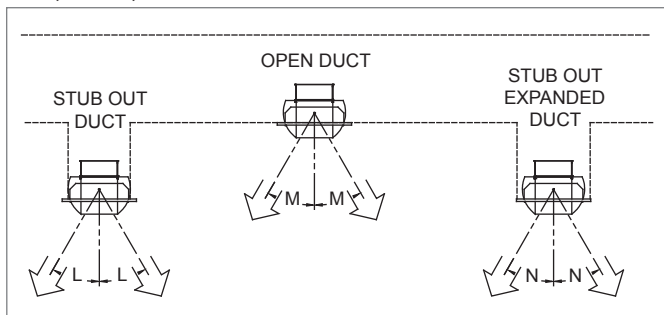
DPL, DPL2, FACE VIEW *



DPL, CROSS SECTION *



DPL, DPL2, ROTATION DESCRIPTION



DPL, DPL2, ROTATION DETAIL

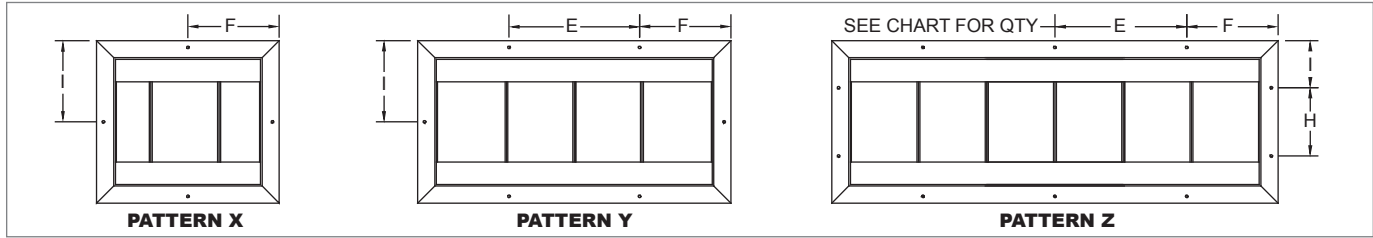
DPL Width	DPL with DOBHD			DPL without DOBHD		
	L	M	N	L	M	N
6" (152)	28°	30°	30°	30°	30°	30°
10" (254)	30°	30°	30°	30°	30°	30°
12" (305)	25°	25°	25°	25°	25°	25°
15" (381)	27°	27°	27°	27°	27°	27°

NOTES: Dimensions in parentheses are mm.

* See chart on next page for dimensional references.

DPL, DPL2 Pattern Selection & Detail

DPL, DPL2, PATTERN SELECTIONS



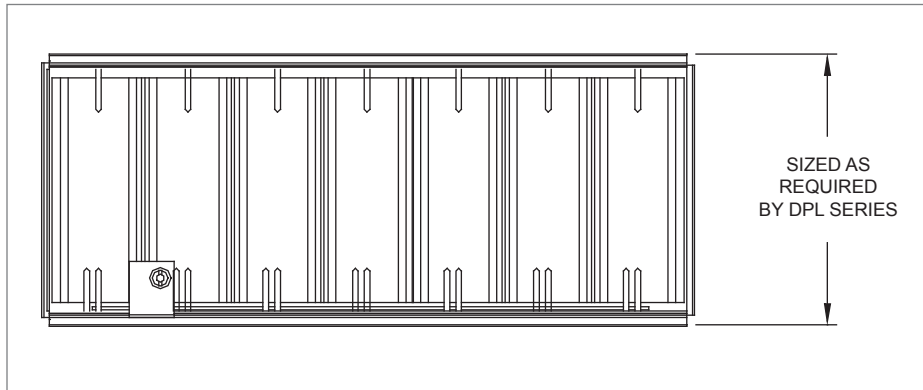
DPL, DPL2, PATTERN DIMENSIONAL DETAIL

Nominal Size	Duct Opening	A	B	C	D	E	F	H	I	J	K	Vanes	Pattern	Screw Qty
6" x 9" (152 x 229)	6 5/8" x 10 1/8" (168 x 257)	11 11/16" (297)	8 3/16" (208)	3" (76)	3 5/16" (84)	6" (152)	5 27/32" (148)	-	4 3/32" (104)	1 21/32" (42)	3 5/8" (92)	2 2	X X	4 4
6" x 12" (152 x 305)	6 5/8" x 13 1/8" (168 x 333)	14 11/16" (373)	8 3/16" (208)	3" (76)	3 5/16" (84)	6" (152)	4 27/32" (123)	-	4 3/32" (104)	1 21/32" (42)	3 5/8" (92)	3 3	Y Y	6 6
6" x 18" (152 x 457)	6 5/8" x 19 1/8" (168 x 486)	20 11/16" (525)	8 3/16" (208)	3" (76)	3 5/16" (84)	6" (152)	5 11/32" (136)	-	4 3/32" (104)	1 21/32" (42)	3 5/8" (92)	5 5	Z Z	8 8
6" x 24" (152 x 610)	6 5/8" x 25 1/8" (168 x 638)	26 11/16" (678)	8 3/16" (208)	3" (76)	3 5/16" (84)	6" (152)	5 27/32" (148)	-	4 3/32" (104)	1 21/32" (42)	3 5/8" (92)	7 7	Z Z	10 10
6" x 30" (152 x 762)	6 5/8" x 31 1/8" (168 x 791)	32 11/16" (830)	8 3/16" (208)	3" (76)	3 5/16" (84)	6" (152)	6 11/32" (161)	-	4 3/32" (104)	1 21/32" (42)	3 5/8" (92)	9 9	Z Z	12 12
6" x 36" (152 x 914)	6 5/8" x 37 1/8" (168 x 943)	38 11/16" (983)	8 3/16" (208)	3" (76)	3 5/16" (84)	6" (152)	6 27/32" (174)	-	4 3/32" (104)	1 21/32" (42)	3 5/8" (92)	11 11	Z Z	14 14
6" x 48" (152 x 1219)	6 5/8" x 49 1/8" (168 x 1248)	50 11/16" (1287)	8 3/16" (208)	3" (76)	3 5/16" (84)	6" (152)	5 11/32" (136)	-	4 3/32" (104)	1 21/32" (42)	3 5/8" (92)	15 15	Z Z	20 20
6" x 60" (152 x 1524)	6 5/8" x 61 1/8" (168 x 1553)	62 11/16" (1592)	8 3/16" (208)	3" (76)	3 5/16" (84)	6" (152)	6 11/32" (161)	-	4 3/32" (104)	1 21/32" (42)	3 5/8" (92)	19 19	Z Z	24 24
10" x 20" (254 x 508)	10 3/8" x 21 1/8" (264 x 537)	22 11/16" (576)	11 15/16" (303)	5" (127)	5 7/8" (149)	5" (127)	6 11/32" (161)	(127)	3 15/32" (88)	2 7/16" (62)	6" (152)	3 3	Z Z	10 10
10" x 25" (254 x 635)	10 3/8" x 26 1/8" (264 x 664)	27 11/16" (703)	11 15/16" (303)	5" (127)	5 7/8" (149)	5" (127)	6 11/32" (161)	(127)	3 15/32" (88)	2 7/16" (62)	6" (152)	4 4	Z Z	12 12
10" x 30" (254 x 762)	10 3/8" x 31 1/8" (264 x 791)	32 11/16" (830)	11 15/16" (303)	5" (127)	5 7/8" (149)	5" (127)	6 11/32" (161)	(127)	3 15/32" (88)	2 7/16" (62)	6" (152)	5 5	Z Z	14 14
10" x 35" (254 x 889)	10 3/8" x 36 1/8" (264 x 918)	37 11/16" (957)	11 15/16" (303)	5" (127)	5 7/8" (149)	5" (127)	6 11/32" (161)	(127)	3 15/32" (88)	2 7/16" (62)	6" (152)	6 6	Z Z	16 16
10" x 40" (254 x 1016)	10 3/8" x 41 1/8" (264 x 1045)	42 11/16" (1084)	11 15/16" (303)	5" (127)	5 7/8" (149)	5" (127)	6 11/32" (161)	(127)	3 15/32" (88)	2 7/16" (62)	6" (152)	7 7	Z Z	18 18
10" x 50" (254 x 1270)	10 3/8" x 51 1/8" (264 x 1299)	52 11/16" (1338)	11 15/16" (303)	5" (127)	5 7/8" (149)	5" (127)	6 11/32" (161)	(127)	3 15/32" (88)	2 7/16" (62)	6" (152)	9 9	Z Z	22 22
10" x 60" (254 x 1524)	10 3/8" x 61 1/8" (264 x 1553)	62 11/16" (1592)	11 15/16" (303)	5" (127)	5 7/8" (149)	5" (127)	6 11/32" (161)	(127)	3 15/32" (88)	2 7/16" (62)	6" (152)	11 11	Z Z	26 26
10" x 70" (254 x 1778)	10 3/8" x 71 1/8" (264 x 1807)	72 11/16" (1846)	11 15/16" (303)	5" (127)	5 7/8" (149)	5" (127)	6 11/32" (161)	(127)	3 15/32" (88)	2 7/16" (62)	6" (152)	13 13	Z Z	30 30
12" x 20" (305 x 508)	12 3/8" x 21 1/8" (314 x 537)	22 11/16" (576)	13 15/16" (354)	5" (127)	6 7/8" (175)	5" (127)	6 11/32" (161)	(152)	3 31/32" (101)	3" (76)	6" (152)	3 3	Z Z	10 10
12" x 30" (305 x 762)	12 3/8" x 31 1/8" (314 x 791)	32 11/16" (830)	13 15/16" (354)	5" (127)	6 7/8" (175)	5" (127)	6 11/32" (161)	(152)	3 31/32" (101)	3" (76)	6" (152)	5 5	Z Z	14 14
12" x 40" (305 x 1016)	12 3/8" x 41 1/8" (314 x 1045)	42 11/16" (1084)	13 15/16" (354)	5" (127)	6 7/8" (175)	5" (127)	6 11/32" (161)	(152)	3 31/32" (101)	3" (76)	6" (152)	7 7	Z Z	18 18
12" x 50" (305 x 1270)	12 3/8" x 51 1/8" (314 x 1299)	52 11/16" (1338)	13 15/16" (354)	5" (127)	6 7/8" (175)	5" (127)	6 11/32" (161)	(152)	3 31/32" (101)	3" (76)	6" (152)	9 9	Z Z	22 22
12" x 60" (305 x 1524)	12 3/8" x 61 1/8" (314 x 1553)	62 11/16" (1592)	13 15/16" (354)	5" (127)	6 7/8" (175)	5" (127)	6 11/32" (161)	(152)	3 31/32" (101)	3" (76)	6" (152)	11 11	Z Z	26 26
12" x 70" (305 x 1778)	12 3/8" x 71 1/8" (314 x 1807)	72 11/16" (1846)	13 15/16" (354)	5" (127)	6 7/8" (175)	5" (127)	6 11/32" (161)	(152)	3 31/32" (101)	3" (76)	6" (152)	13 13	Z Z	30 30
15" x 15" (381 x 381)	15 3/8" x 16 1/8" (391 x 410)	17 11/16" (449)	17" (432)	5" (127)	9 7/8" (251)	5" (127)	6 11/32" (161)	(229)	4" (102)	3 3/16" (81)	8 1/8" (206)	2 2	Z Z	8 8
15" x 20" (381 x 508)	15 3/8" x 21 1/8" (391 x 537)	22 11/16" (576)	17" (432)	5" (127)	9 7/8" (251)	5" (127)	6 11/32" (161)	(229)	4" (102)	3 3/16" (81)	8 1/8" (206)	3 3	Z Z	10 10
15" x 25" (381 x 635)	15 3/8" x 26 1/8" (391 x 664)	27 11/16" (703)	17" (432)	5" (127)	9 7/8" (251)	5" (127)	6 11/32" (161)	(229)	4" (102)	3 3/16" (81)	8 1/8" (206)	4 4	Z Z	12 12
15" x 30" (381 x 762)	15 3/8" x 31 1/8" (391 x 791)	32 11/16" (830)	17" (432)	5" (127)	9 7/8" (251)	5" (127)	6 11/32" (161)	(229)	4" (102)	3 3/16" (81)	8 1/8" (206)	5 5	Z Z	14 14
15" x 40" (381 x 1016)	15 3/8" x 41 1/8" (391 x 1045)	42 11/16" (1084)	17" (432)	5" (127)	9 7/8" (251)	5" (127)	6 11/32" (161)	(229)	4" (102)	3 3/16" (81)	8 1/8" (206)	7 7	Z Z	18 18
15" x 50" (381 x 1270)	15 3/8" x 51 1/8" (391 x 1299)	52 11/16" (1338)	17" (432)	5" (127)	9 7/8" (251)	5" (127)	6 11/32" (161)	(229)	4" (102)	3 3/16" (81)	8 1/8" (206)	9 9	Z Z	22 22
15" x 60" (381 x 1524)	15 3/8" x 61 1/8" (391 x 1553)	62 11/16" (1592)	17" (432)	5" (127)	9 7/8" (251)	5" (127)	6 11/32" (161)	(229)	4" (102)	3 3/16" (81)	8 1/8" (206)	11 11	Z Z	26 26
15" x 70" (381 x 1778)	15 3/8" x 71 1/8" (391 x 1807)	72 11/16" (1846)	17" (432)	5" (127)	9 7/8" (251)	5" (127)	6 11/32" (161)	(229)	4" (102)	3 3/16" (81)	8 1/8" (206)	13 13	Z Z	30 30

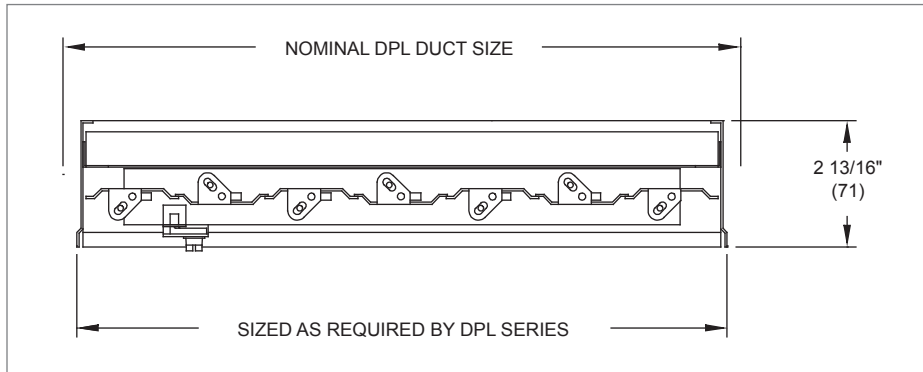
NOTES: Dimensions in parentheses are mm. See drawings on previous page for additional dimensional references.

DOBHD (Heavy Duty Damper) Dimensional Information

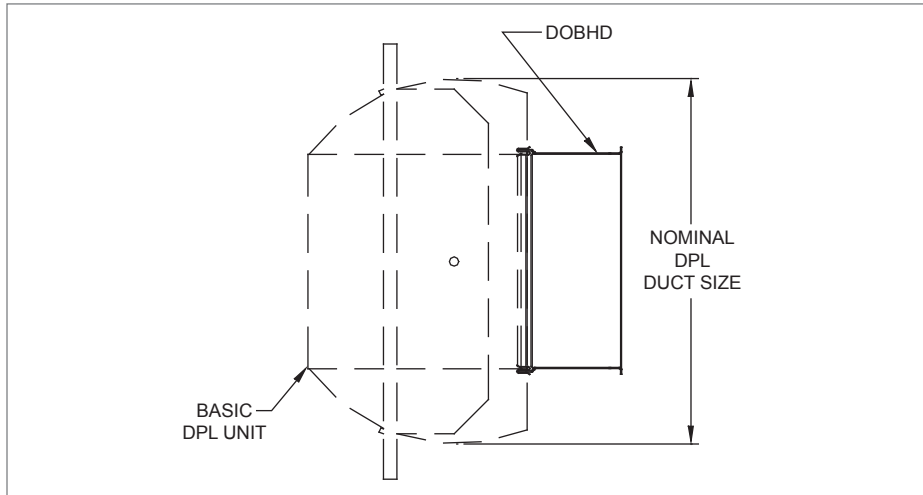
DOBHD, FACE VIEW



DOBHD, CROSS SECTION



DOBHD, SIDE VIEW



NOTE: Dimensions in parentheses are mm.