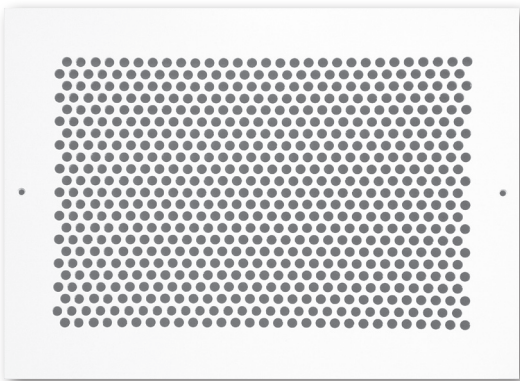


1380L



1380P

Introduction: 1380, 51380L, 1380P, 51380P

The 1380 series minimum security lattice face features two different hole patterns for varying applications requirements. The 1380 lattice face is design to be used either as a stand-alone product or can be used as a secure face cover for Krueger’s line of grilles and registers. The square hole design offers minimal security and performance degradation while the round hole pattern offers higher security.

MODELS

- 1380L - Minimum security lattice face with 12 gage face and 13/16” square holes with 3/16” fret, steel construction (66% free area).
- 51380L - Minimum security lattice face with 1/8” thick face and 13/16” square holes with 3/16” fret, aluminum construction (66% free area).
- 1380P - Minimum security lattice face with 12 gage face and 5/16” holes on 7/16” staggered centers, steel construction (46% free area).
- 51380P - Minimum security lattice face with 1/8” thick face and 5/16” holes on 7/16” staggered centers, aluminum construction (46% free area).

FEATURES

- 30”x30” Maximum single unit size.

ACCESSORIES

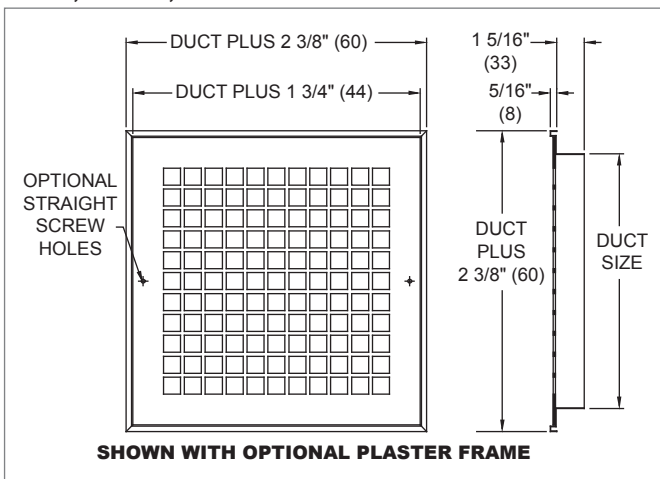
- Plaster frame.
- Front operated OBD.

FINISHES

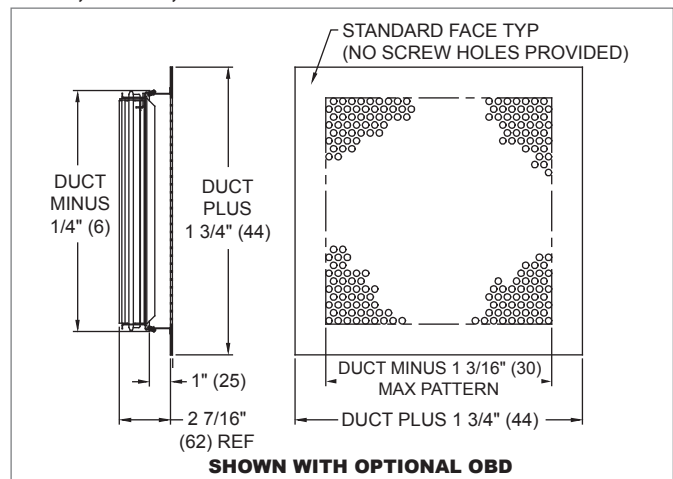
- Standard finish is #44 British White.
- Optional finish is Mill.

1380L, 51380L, 1380P, 51380P Dimensional Information

1380L, 51380L, FACE & SIDE VIEW



1380P, 51380P, FACE & SIDE VIEW



NOTE: Dimensions in parentheses are mm.