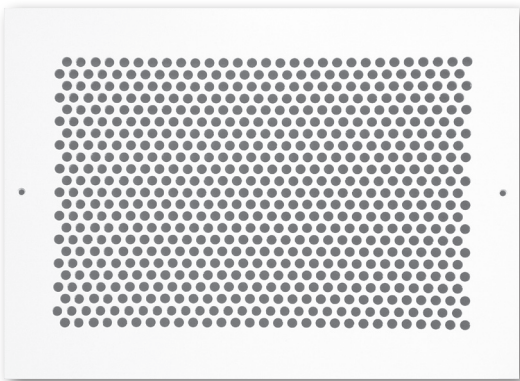


1380L



1380P

Introduction: 1380, 51380L, 1380P, 51380P

The 1380 series minimum security lattice face features two different hole patterns for varying applications requirements. The 1380 lattice face is design to be used either as a stand-alone product or can be used as a secure face cover for Krueger’s line of grilles and registers. The square hole design offers minimal security and performance degradation while the round hole pattern offers higher security.

MODELS

- 1380L - Minimum security lattice face with 12 gage face and 13/16” square holes with 3/16” fret, steel construction (66% free area).
- 51380L - Minimum security lattice face with 1/8” thick face and 13/16” square holes with 3/16” fret, aluminum construction (66% free area).
- 1380P - Minimum security lattice face with 12 gage face and 5/16” holes on 7/16” staggered centers, steel construction (46% free area).
- 51380P - Minimum security lattice face with 1/8” thick face and 5/16” holes on 7/16” staggered centers, aluminum construction (46% free area).

FEATURES

- 30”x30” Maximum single unit size.

ACCESSORIES

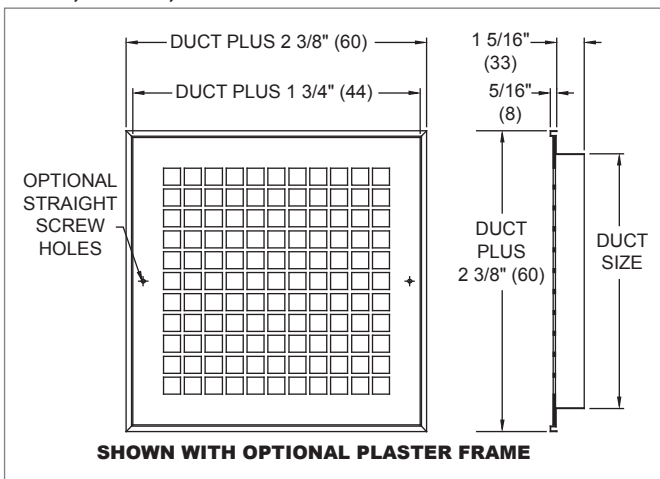
- Plaster frame.
- Front operated OBD.

FINISHES

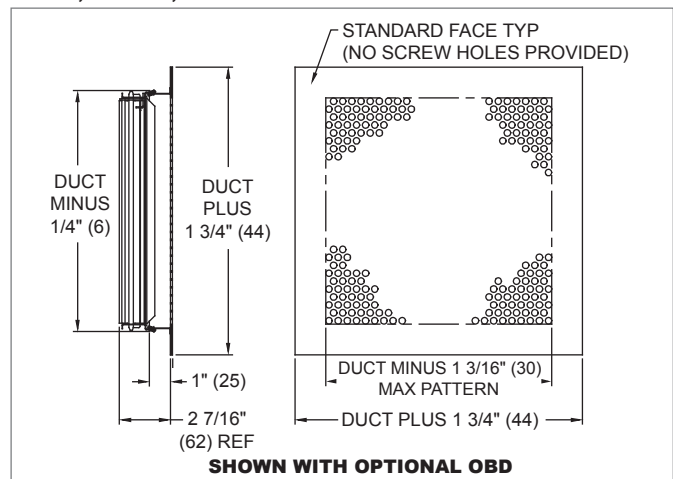
- Standard finish is #44 British White.
- Optional finish is Mill.

1380L, 51380L, 1380P, 51380P Dimensional Information

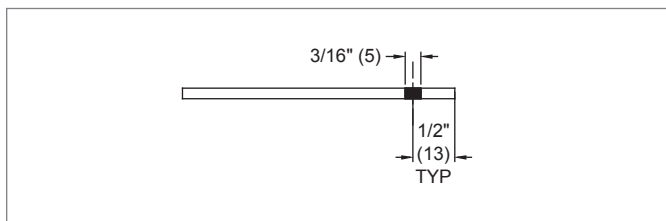
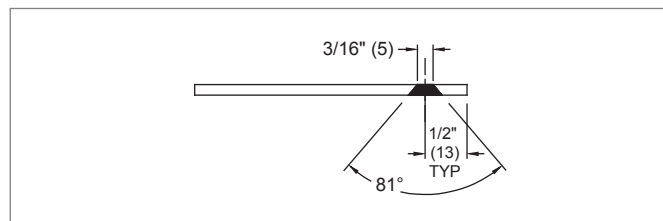
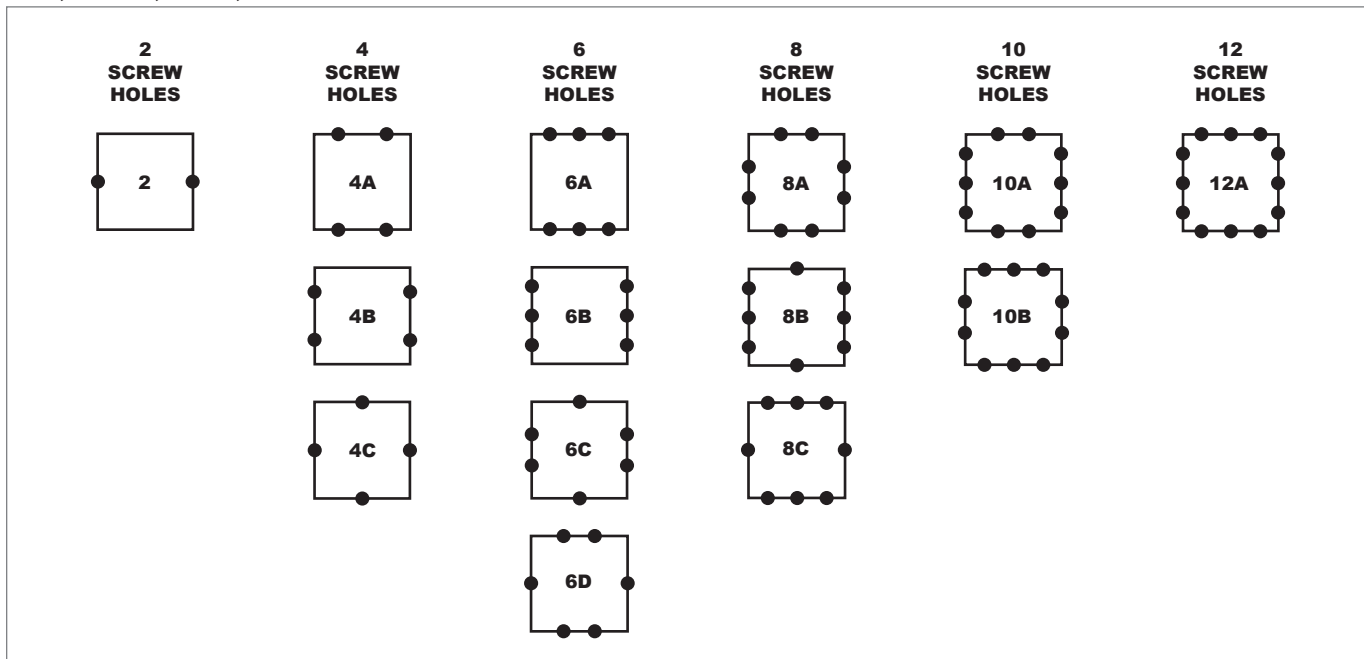
1380L, 51380L, FACE & SIDE VIEW



1380P, 51380P, FACE & SIDE VIEW



NOTE: Dimensions in parentheses are mm.

1380L, 51380L, 1380P, 51380P Screw Hole Detail
STRAIGHT SCREW HOLE CROSS SECTION

COUNTERSUNK SCREW HOLE CROSS SECTION

1380, 51380L, 1380P, 51380P SCREW HOLE TABLE DESCRIPTIONS

1380, 51380L, 1380P, 51380P SCREW HOLE TABLE DESCRIPTIONS

	Horizontal Dimension														
	6"	8"	10"	12"	14"	16"	18"	20"	22"	24"	26"	28"	30"		
Vertical Dimension	4"	2	2	2	2	2	2	2	4A	4A	6A	6A	6A	6A	
	5"	2	2	2	2	2	2	2	4A	4A	6A	6A	6A	6A	
	6"	2	2	2	2	2	2	2	4A	4A	6A	6A	6A	6A	
	8"	2	2	2	2	2	2	2	4A	4A	6A	6A	6A	6A	
	10"	2	2	2	2	2	2	2	4A	4A	6A	6A	6A	6A	
	12"	2	2	2	2	2	2	2	4A	4A	6A	6A	6A	6A	
	14"	2	2	2	2	4C	6D	6D	6D	6D	6D	8C	8C	8C	
	16"	2	2	2	2	6D	6D	6D	6D	6D	6D	8C	8C	8C	
	18"	2	2	2	2	6D	6D	6D	6D	6D	6D	8C	8C	8C	
	20"	4B	4B	4B	4B	6D	6D	6D	6D	6D	6D	8C	8C	8C	
	22"	4B	4B	4B	4B	6D	6D	6D	6D	6D	6D	8C	8C	8C	
	24"	6B	6B	6B	6B	6D	6D	6D	6D	6D	6D	8A	10B	10B	10B
	26"	6B	6B	6B	6B	8B	8B	8B	8B	8B	8B	10A	10A	10A	10A
	28"	6B	6B	6B	6B	8B	8B	8B	8B	8B	8B	10A	10A	12A	12A
	30"	6B	6B	6B	6B	8B	8B	8B	8B	8B	8B	10A	10A	12A	12A

NOTE: Dimensions in parentheses are mm. Refer to the above illustration to find locations of screw holes. Security screws provided by others.