



1340

**Introduction: 1340**

The 1340 series minimum security diffusers feature an SH series diffuser with a 12 gage lattice face. This design gives the proven performance of a louvered face diffuser with the needed security of the lattice face. This diffuser is suited for dormitory rooms or cells with night lock down, prison lobbies, prison offices, prison visiting areas and psychiatric facilities.

**MODEL**

1340 - Minimum security steel louvered diffuser with 12 gage lattice face.

**FEATURES**

- 12 Gage steel lattice face has 13/16" square holes with a 3/16" fret.
- 1, 2, 3, or 4-Way discharge air patterns.
- 24"x24" Maximum single unit size.

**ACCESSORIES**

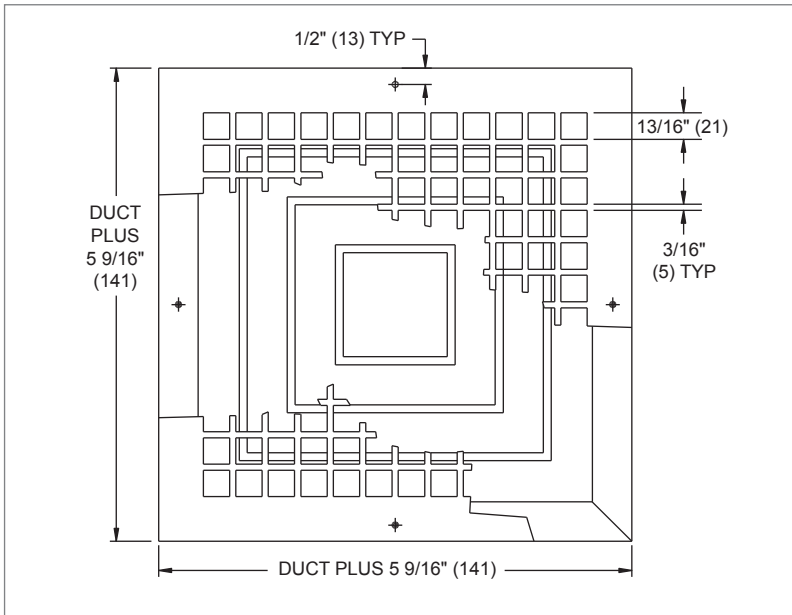
- Duct mounted OBD.

**FINISHES**

- Standard finish is #44 British White.
- Optional finish is Mill.

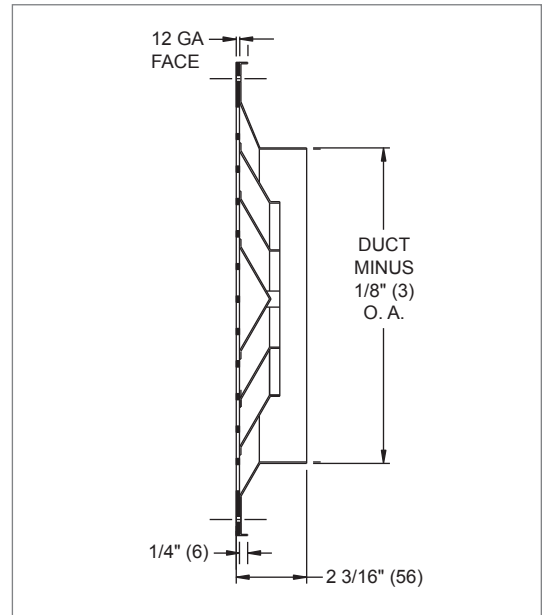
**1340 Dimensional Information**

**1340, FACE VIEW**



NOTE: Dimensions in parentheses are mm.

**1340, CROSS SECTION**



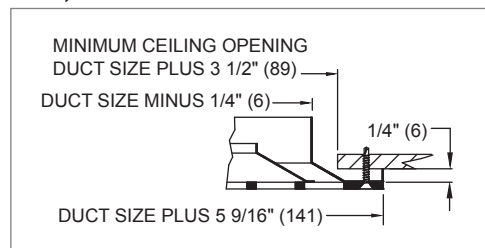
## 1340 Screw Hole & Installation Details

### 1340, SCREW HOLE DETAIL PER SIDE

Neck Size	6" (152)	9" to 18" (229 to 457)	21" and 24" (533 and 610)
Number of Holes & Location	1 Hole: Center Line	2 Holes: 3" (76) from Edge	3 Holes: 1 at Center Line 2 at 3" (76) from Edge

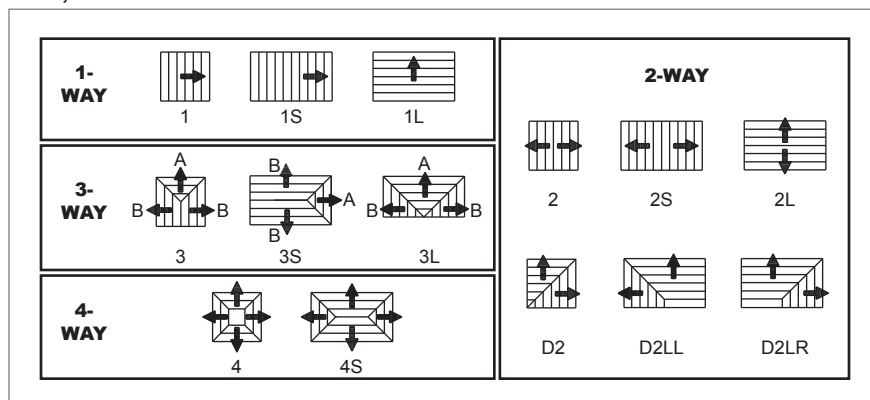
NOTE: Dimensions in parentheses are mm.

### 1340, INSTALLATION DETAIL



## 1340 Discharge Air Patterns

### 1340, DISCHARGE AIR PATTERNS



NOTE: 'A' and 'B' notations correspond with performance data.

## 1340 Reference Chart

### AIRFLOW VS. NC LEVEL: 1340 (NO DAMPER)

