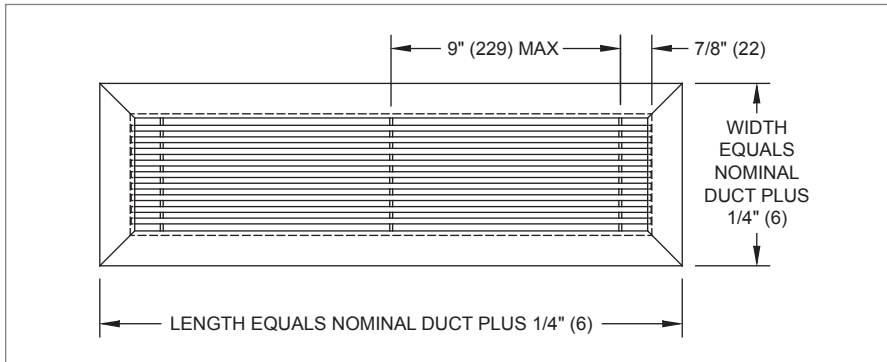
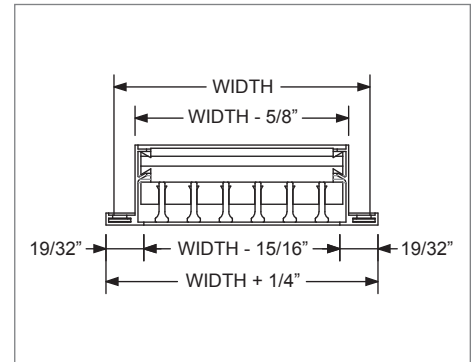
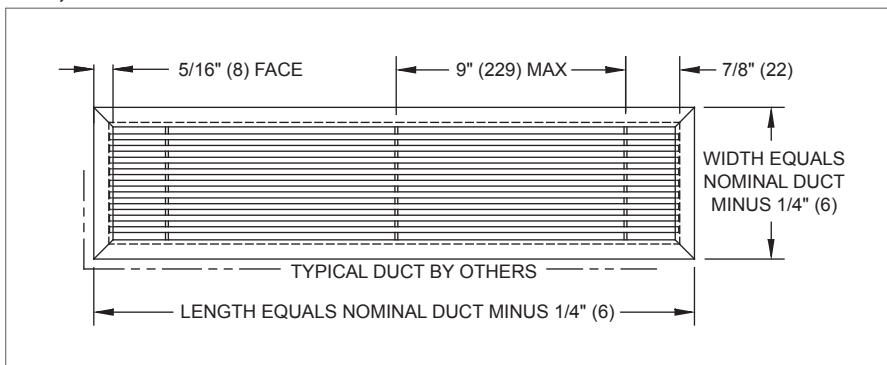
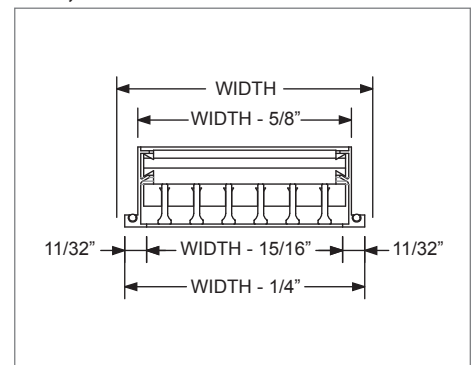
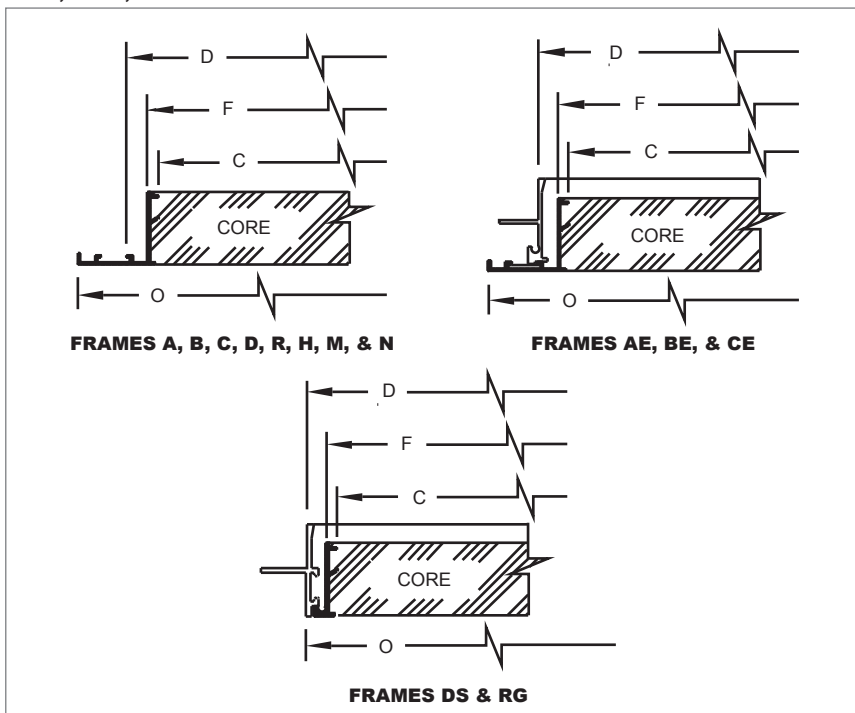


1500 Dimensional Information & Frame Styles
1500, FACE VIEW FOR FRAME STYLE D

1500, FRAME STYLE D

1500, FACE VIEW FOR FRAME STYLE R

1500, FRAME STYLE R


NOTE: Dimensions in parentheses are mm.

1500, 1800 Dimensional Information
1500, 1800, LENGTH & WIDTH DIMENSIONAL DETAIL


| Frame | Frame Length | Overall Dimension | Core Opening Length |
|-------|--------------|-------------------|---------------------|
| | F | O | C |
| A | D - 5/8" | D + 1 3/4" | D - 3/4" |
| B | D - 5/8" | D + 1 1/4" | D - 3/4" |
| C | D - 5/8" | D + 3/4" | D - 3/4" |
| D | D - 5/8" | D + 1/4" | D - 3/4" |
| R | D - 5/8" | D - 1/4" | D - 3/4" |
| AE | D | D + 1 3/4" | D - 3/8" |
| BE | D | D + 1 1/4" | D - 3/8" |
| CE | D | D + 3/4" | D - 3/8" |
| DS | D | D + 7/16" | D - 3/4" |
| RG | D | D | D - 3/4" |
| H | D | D + 2 1/4" | D - 3/8" |
| M | D | D + 1 5/8" | D - 3/8" |
| N | D | D | D - 3/8" |

NOTES:

 Lengths based on end caps mounted on each end.
 D = Nominal duct dimension length/width
 (or ordered length)

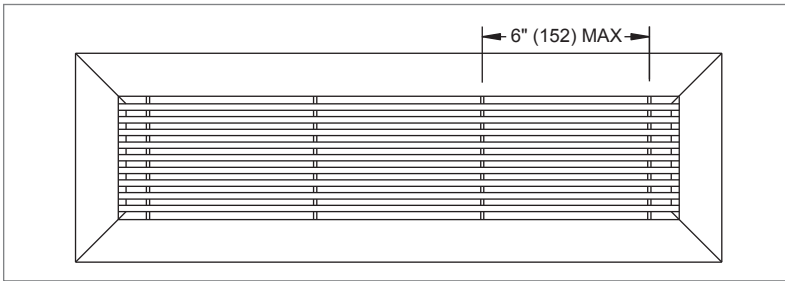
F = Actual overall neck dimension length/width

O = Overall face dimension length/width

C = Actual core opening length/width

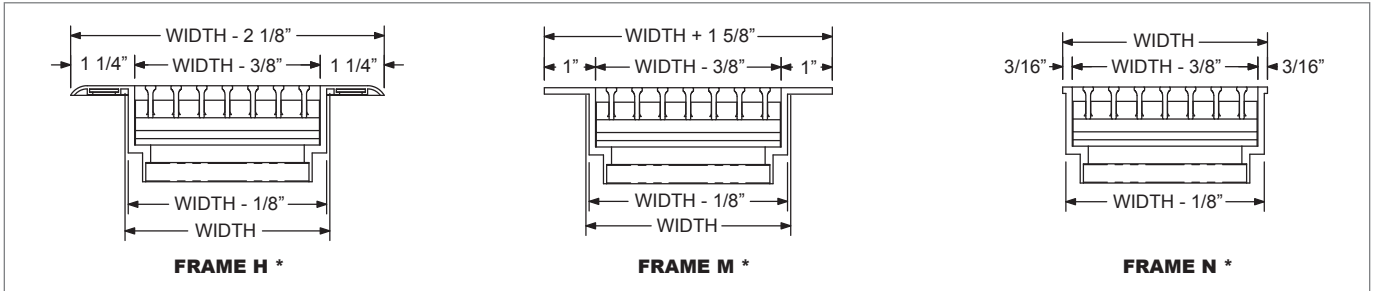
1800 Dimensional Information & Frame Styles

1800, FACE VIEW FOR FRAME STYLES H, M, & N



NOTES: Dimensions in parentheses are mm. For 1800 grille length and width dimensional information, see table on page K1-5.

1800, FRAME STYLES H, M, & N

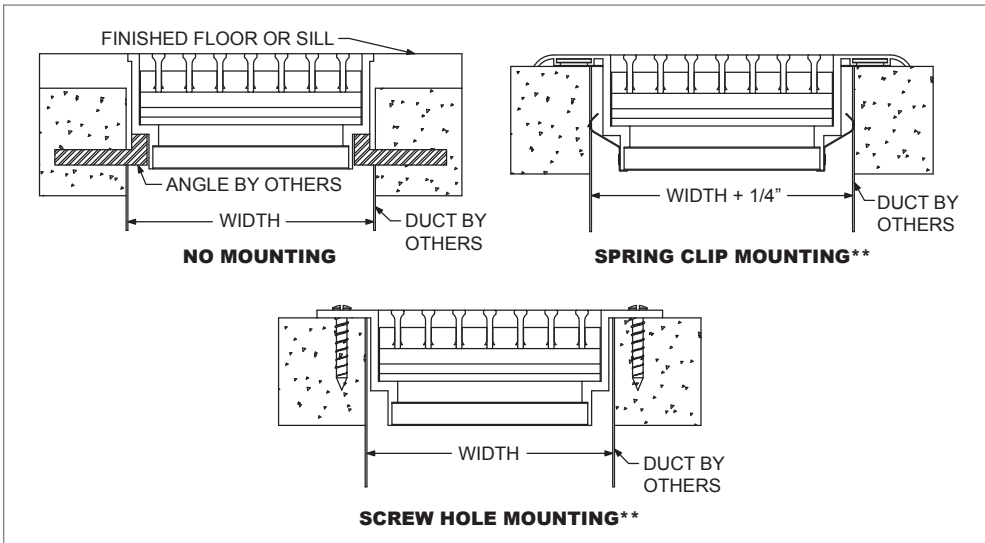


NOTES: Dimensions in parentheses are mm. Nominal duct equals ordered size.

* Suggested floor opening for Frame H, M, and N is nominal duct size plus 1/16" (1.5).

1800 Mounting Options

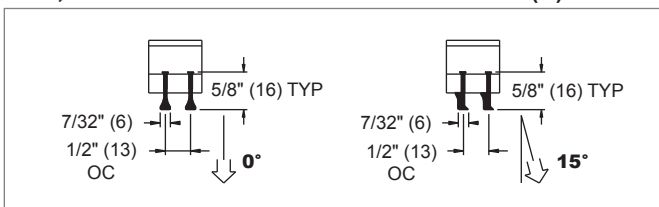
1800, MOUNTING OPTIONS FOR FRAME STYLES H, M, & N



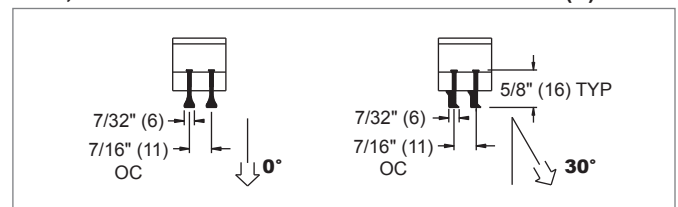
NOTES: Dimensions in parentheses are mm. ** Not available for Frame N.

1800 Deflection Patterns

1800, NORMAL AIR DEFLECTION PATTERNS (N)



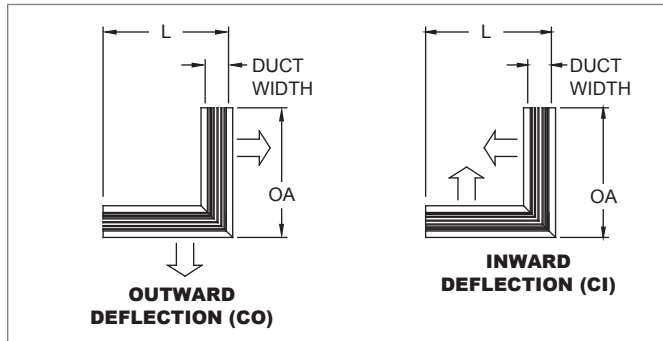
1800, PENCIL PROOF DEFLECTION PATTERNS (P)



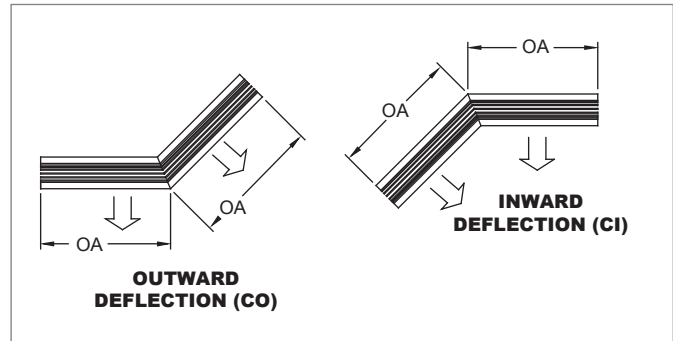
NOTE: Dimensions in parentheses are mm.

Mitered Corner (1500MC, 1800MC) Deflection Patterns

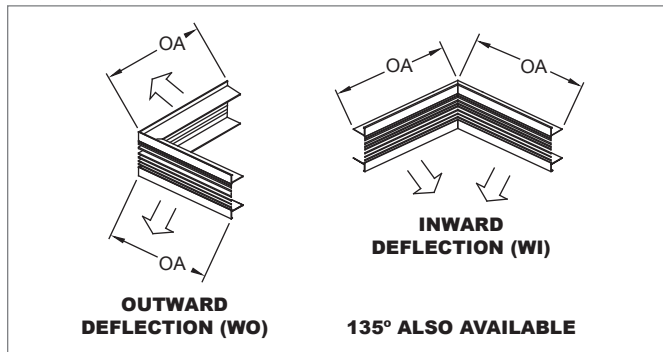
1500MC, 1800MC, 90° DEFLECTION PATTERN



1500MC, 1800MC, 135° DEFLECTION PATTERN



1500MC, 90° DEFLECTION PATTERN



Mitered Corner (1500MC, 1800MC) Dimensional Information

1500, OVERALL DIMENSIONS FOR FRAME STYLES

| Duct Width | Duct L | Frames | | | | | | | | | |
|-----------------------------|--------------|------------------|------------------|------------------|------------------|------------------|-------------------|--------------------|------------------|-------------------|--------------|
| | | A | B | C | D | R | AE | BE | CE | DS | RG |
| 2" - 4" (51 - 102) | 12" (305) | 12 7/8" (327) | 12 5/8" (321) | 12 3/8" (314) | 12 1/8" (308) | 11 7/8" (302) | 13 3/16" (335) | 12 15/16" (329) | 12 5/8" (321) | 12 3/16" (310) | 12" (305) |
| 4 1/2" - 12" (114 - 305) | 18" (457) | 18 7/8" (479) | 18 5/8" (473) | 18 3/8" (467) | 18 1/8" (460) | 17 7/8" (454) | 19 3/16" (487) | 18 15/16" (481) | 18 5/8" (473) | 18 3/16" (462) | 18" (457) |

1800, OVERALL DIMENSIONS FOR FRAME STYLES

| Duct Width | Duct L | Frames | | |
|-----------------------------|--------------|------------------|--------------------|--------------|
| | | H | M | N |
| 2" - 4" (51 - 102) | 12" (305) | 12 7/8" (327) | 12 13/16" (325) | 12" (305) |
| 3" - 4" (76 - 102) | 12" (305) | - | - | - |
| 4 1/2" - 12" (114 - 305) | 18" (457) | 18 7/8" (479) | 18 13/16" (478) | 18" (457) |

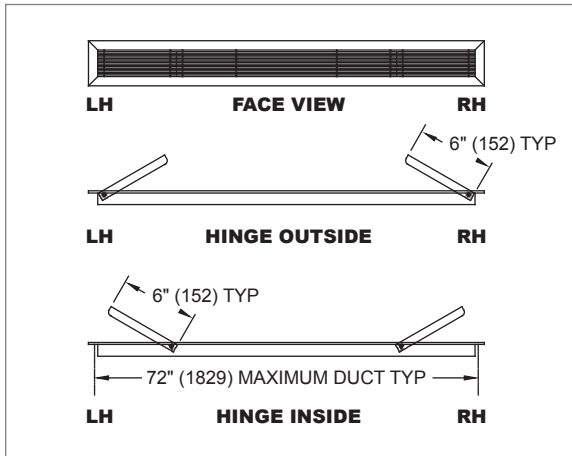
1800, MAXIMUM FLOOR LOADING

| Model | Blade | Spacing | Maximum Vertical Distributed Load | Maximum Vertical Live Load | Maximum Horizontal Load |
|-------------------|-----------|------------|-----------------------------------|----------------------------|-------------------------|
| | | | lbs/in ² | lbs/ft ² | lbs |
| 1800 Normal | 7/32" (6) | 1/2" (13) | 250 | 250 | 50 |
| 1800 Pencil Proof | 7/32" (6) | 7/16" (11) | 250 | 250 | 50 |

NOTES: Dimensions in parentheses are mm. Dash indicates not available.

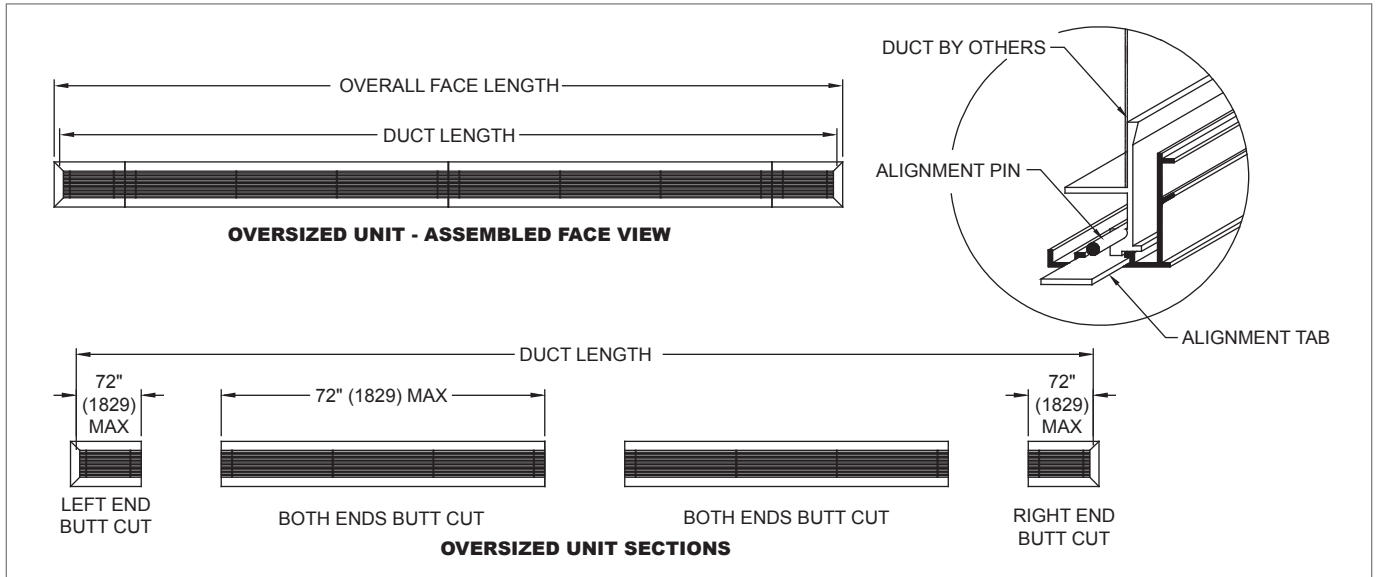
1500, 1800 Access Doors & Oversized Units

1500, ACCESS DOOR OPTION



NOTES: Dimensions in parentheses are mm. Linear bar access doors provide open area approximately 5" (127) long by a width determined by the specified unit width. Access doors are not available with the 1800 models.

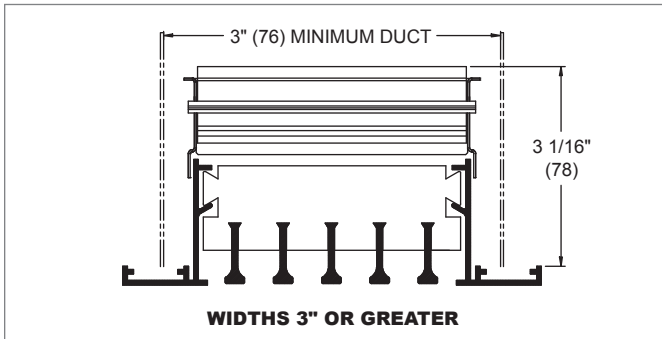
1500, 1800, OVERSIZED UNIT DIMENSIONAL DETAIL



NOTES: Dimensions in parentheses are mm. Oversized units are assembled with the minimum number of sections based on a maximum individual duct length of 72". Alignment tabs and pins are provided to facilitate assembly. Alignment tabs and pins are not available with Frames M and N.

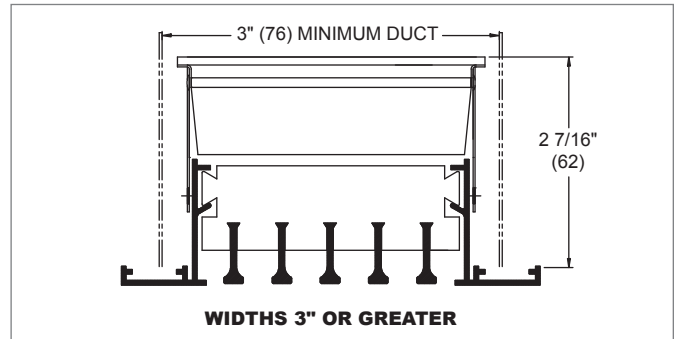
1500, 1800 Accessories

LINEAR OPPOSED BLADE DAMPER (LOBD)



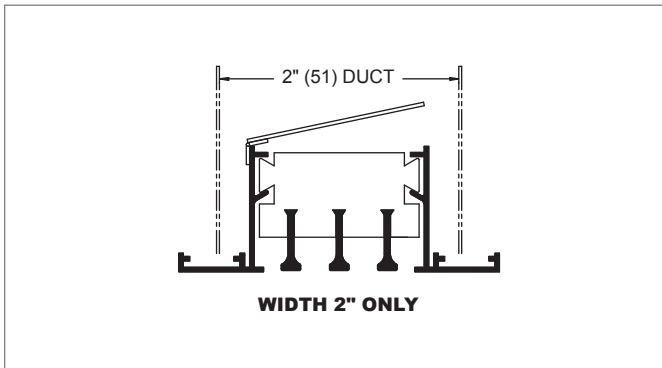
NOTES: Dimensions in parentheses are mm.
Do not use with Frames DS and RG.
Do not use with concealed mounting.

LINEAR STRAIGHTENING GRID (LSG)



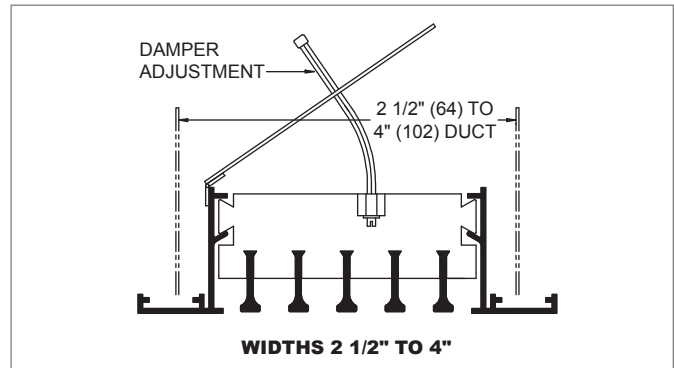
NOTES: Dimensions in parentheses are mm.
Do not use with Frames M, N, or R.
Do not use with spring clip mounting.

SINGLE BLADE DAMPER (SBD)



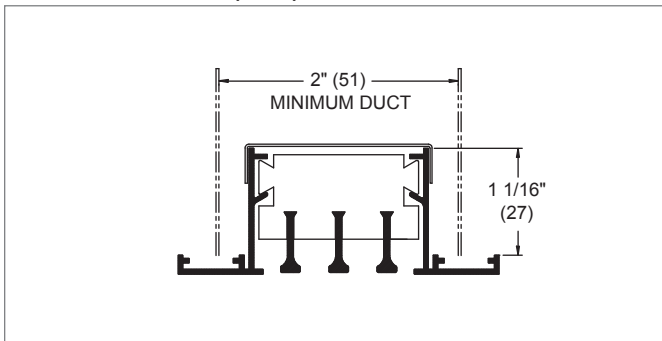
NOTES: Dimensions in parentheses are mm.
Do not use with Frames H, M, N, DS, or RG.
Do not use with concealed mounting.
Do not use with widths greater than 2" (51).

SINGLE BLADE DAMPER (SBD)



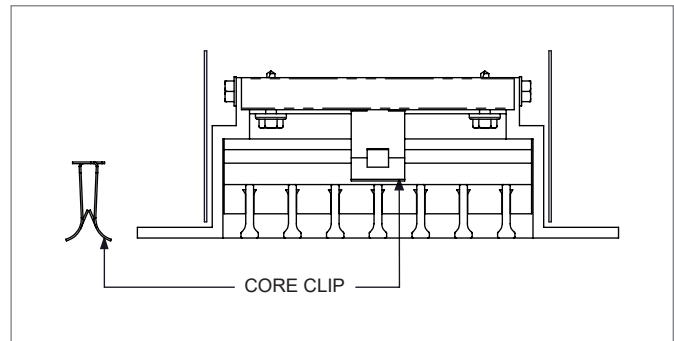
NOTES: Dimensions in parentheses are mm.
Do not use with Frames H, M, N, DS, or RG.
Do not use with concealed mounting.

BLANK-OFF STRIP (BOS)



NOTES: Dimensions in parentheses are mm.
Do not use with spring clip mounting.

CORE CLIP



NOTES: Dimensions in parentheses are mm.
Only Available for 1800 and 1850.