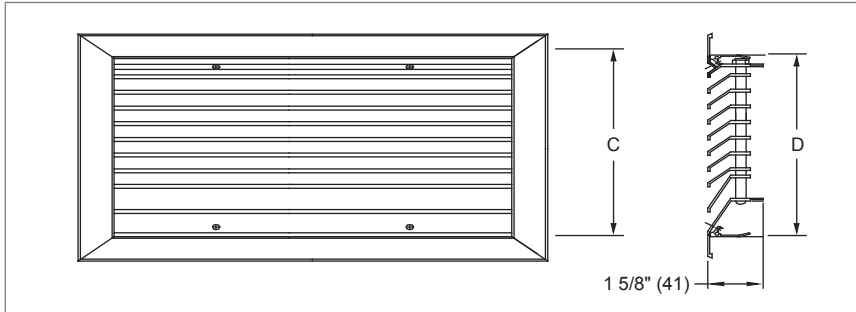


**1700 Dimensional Information**

**1700, 1-WAY THROW FACE & SIDE VIEW**

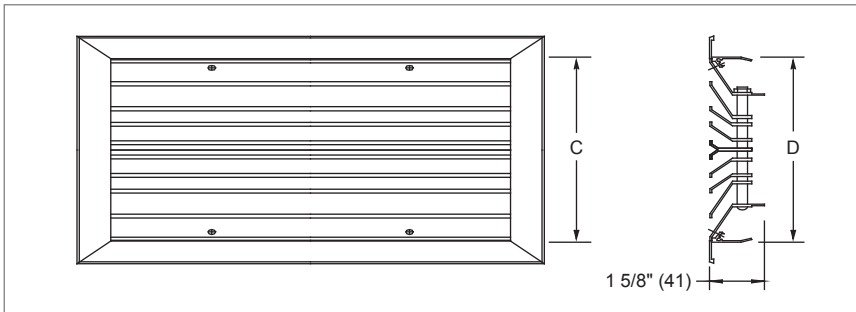


NOTE: Dimensions in parentheses are mm.

**1-WAY THROW DIMENSIONAL DATA**

Nominal Size	Actual Duct	C
	D	
3 1/2" (89)	3 5/8" (92)	3 3/8" (86)
4 1/4" (108)	4 3/8" (111)	4 1/8" (105)
5" (127)	5 1/8" (130)	4 7/8" (124)
5 3/4" (146)	5 7/8" (149)	5 5/8" (143)
6 1/2" (165)	6 5/8" (168)	6 3/8" (162)
7 1/4" (184)	7 3/8" (187)	7 1/8" (181)
8" (203)	8 1/8" (206)	7 7/8" (200)
8 3/4" (222)	8 7/8" (225)	8 5/8" (219)
9 1/2" (241)	9 5/8" (244)	9 3/8" (238)
10 1/4" (260)	10 3/8" (264)	10 1/8" (257)
11" (279)	11 1/8" (283)	10 7/8" (276)
11 3/4" (298)	11 7/8" (302)	11 5/8" (295)
12 1/2" (318)	12 5/8" (321)	12 3/8" (314)

**1700, 2-WAY THROW FACE & SIDE VIEW**

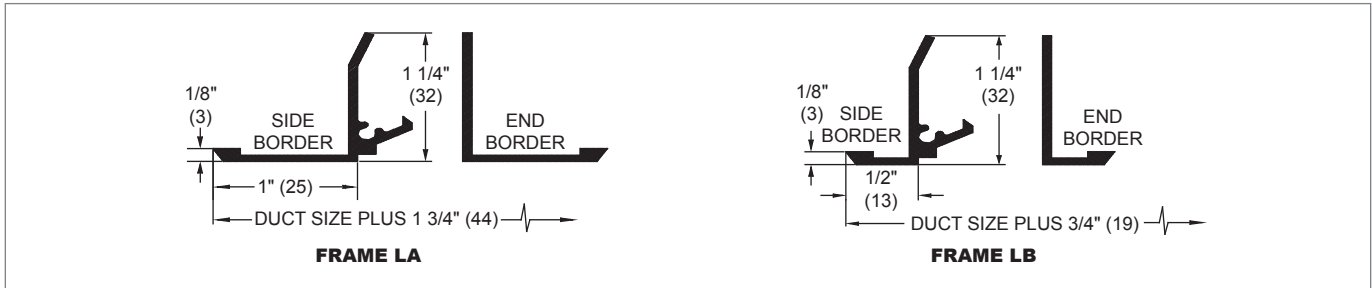


NOTE: Dimensions in parentheses are mm.

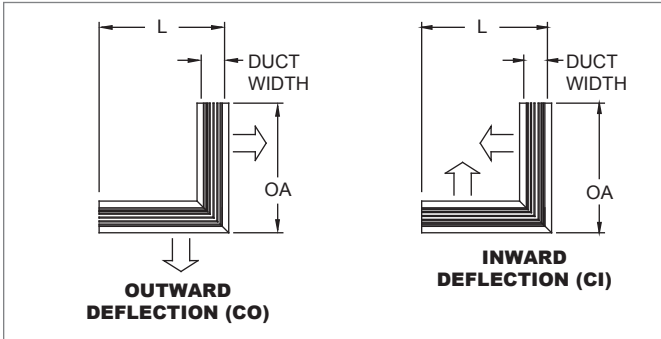
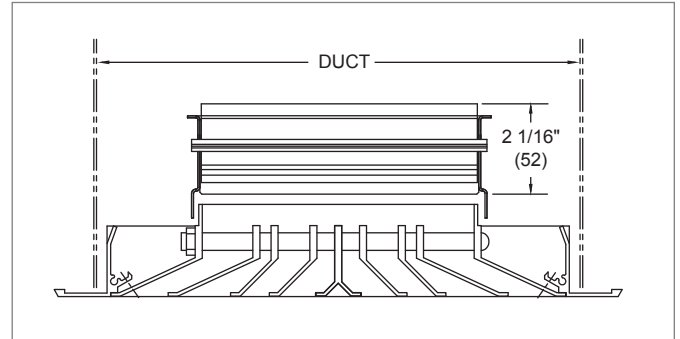
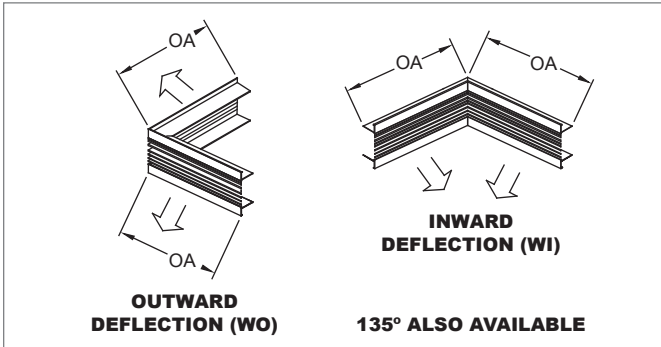
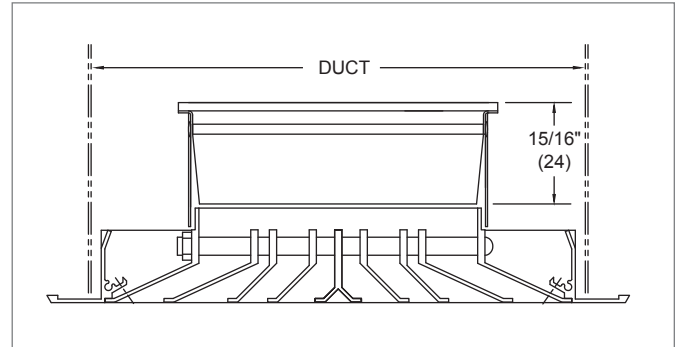
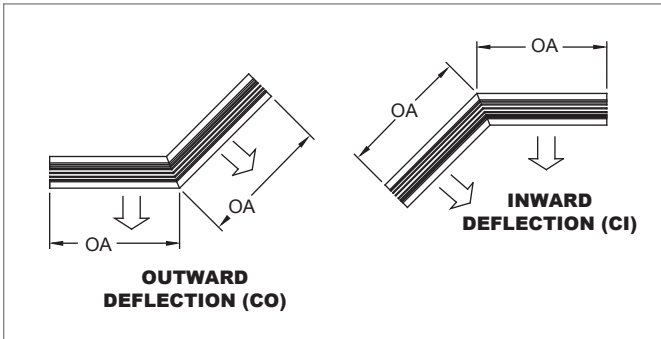
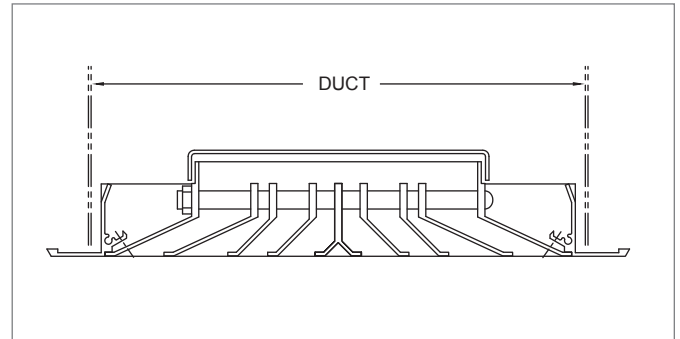
**2-WAY THROW DIMENSIONAL DATA**

Nominal Size	Actual Duct	C
	D	
6 1/4" (159)	6 3/8" (162)	6 1/8" (155)
7 3/4" (197)	7 7/8" (200)	7 5/8" (194)
9 1/4" (235)	9 3/8" (238)	9 1/8" (232)
10 3/4" (273)	10 7/8" (276)	10 5/8" (270)
12 1/4" (311)	12 3/8" (314)	12 1/8" (308)

**1700, FRAME STYLES LA & LB**



NOTE: Dimensions in parentheses are mm.

**Mitered Corner (1700MC) Deflection Patterns**
**1700 Accessories**
**1700MC, 90° MITERED AIR DEFLECTION PATTERNS**

**1700, OPPOSED BLADE DAMPER**

**1700MC, 90° MITERED AIR DEFLECTION PATTERNS**

**1700, STRAIGHTENING GRID**

**1700MC, 135° MITERED AIR DEFLECTION PATTERNS**

**1700, BLANK-OFF STRIP**

**1700MC, OVERALL DIMENSIONS**

Duct Width	Duct L	Frames	
		LA	LB
3 1/2" (89)	12" (305)	13" (330)	12 3/4" (324)
4 1/4" - 12 1/2" (108 - 318)	18" (457)	19" (483)	18 3/4" (476)

NOTE: Dimensions in parentheses are mm.