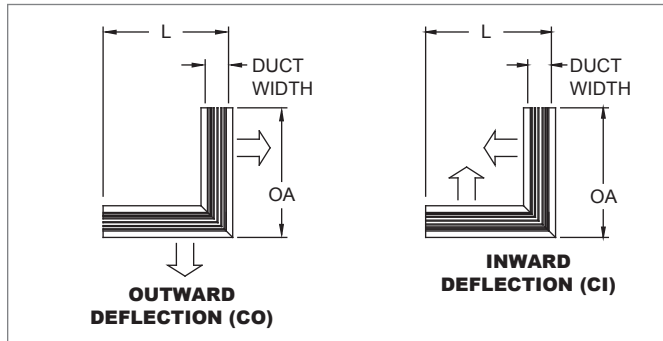
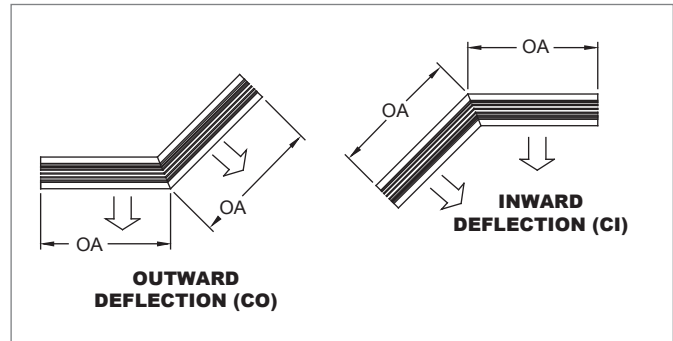


**Mitered Corner (1500MC, 1800MC) Deflection Patterns**

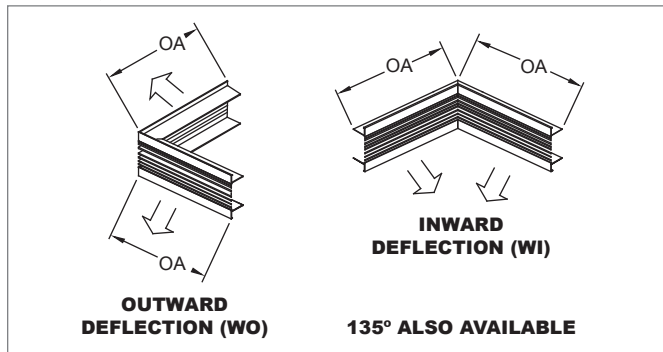
1500MC, 1800MC, 90° DEFLECTION PATTERN



1500MC, 1800MC, 135° DEFLECTION PATTERN



1500MC, 90° DEFLECTION PATTERN



**Mitered Corner (1500MC, 1800MC) Dimensional Information**

1500, OVERALL DIMENSIONS FOR FRAME STYLES

Duct Width	Duct L	Frames									
		A	B	C	D	R	AE	BE	CE	DS	RG
2" - 4" (51 - 102)	12" (305)	12 7/8" (327)	12 5/8" (321)	12 3/8" (314)	12 1/8" (308)	11 7/8" (302)	13 3/16" (335)	12 15/16" (329)	12 5/8" (321)	12 3/16" (310)	12" (305)
4 1/2" - 12" (114 - 305)	18" (457)	18 7/8" (479)	18 5/8" (473)	18 3/8" (467)	18 1/8" (460)	17 7/8" (454)	19 3/16" (487)	18 15/16" (481)	18 5/8" (473)	18 3/16" (462)	18" (457)

1800, OVERALL DIMENSIONS FOR FRAME STYLES

Duct Width	Duct L	Frames		
		H	M	N
2" - 4" (51 - 102)	12" (305)	12 7/8" (327)	12 13/16" (325)	12" (305)
3" - 4" (76 - 102)	12" (305)	-	-	-
4 1/2" - 12" (114 - 305)	18" (457)	18 7/8" (479)	18 13/16" (478)	18" (457)

1800, MAXIMUM FLOOR LOADING

Model	Blade	Spacing	Maximum Vertical Distributed Load	Maximum Vertical Live Load	Maximum Horizontal Load
			lbs/in <sup>2</sup>	lbs/ft <sup>2</sup>	lbs
1800 Normal	1/4" (6)	1/2" (13)	250	250	50
1800 Pencil Proof	1/4" (6)	7/16" (11)	250	250	50

NOTES: Dimensions in parentheses are mm. Dash indicates not available.