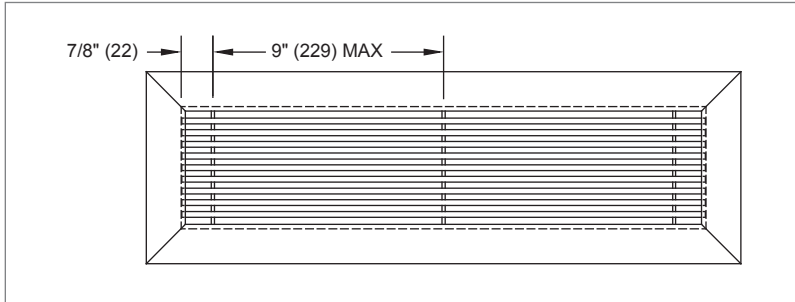


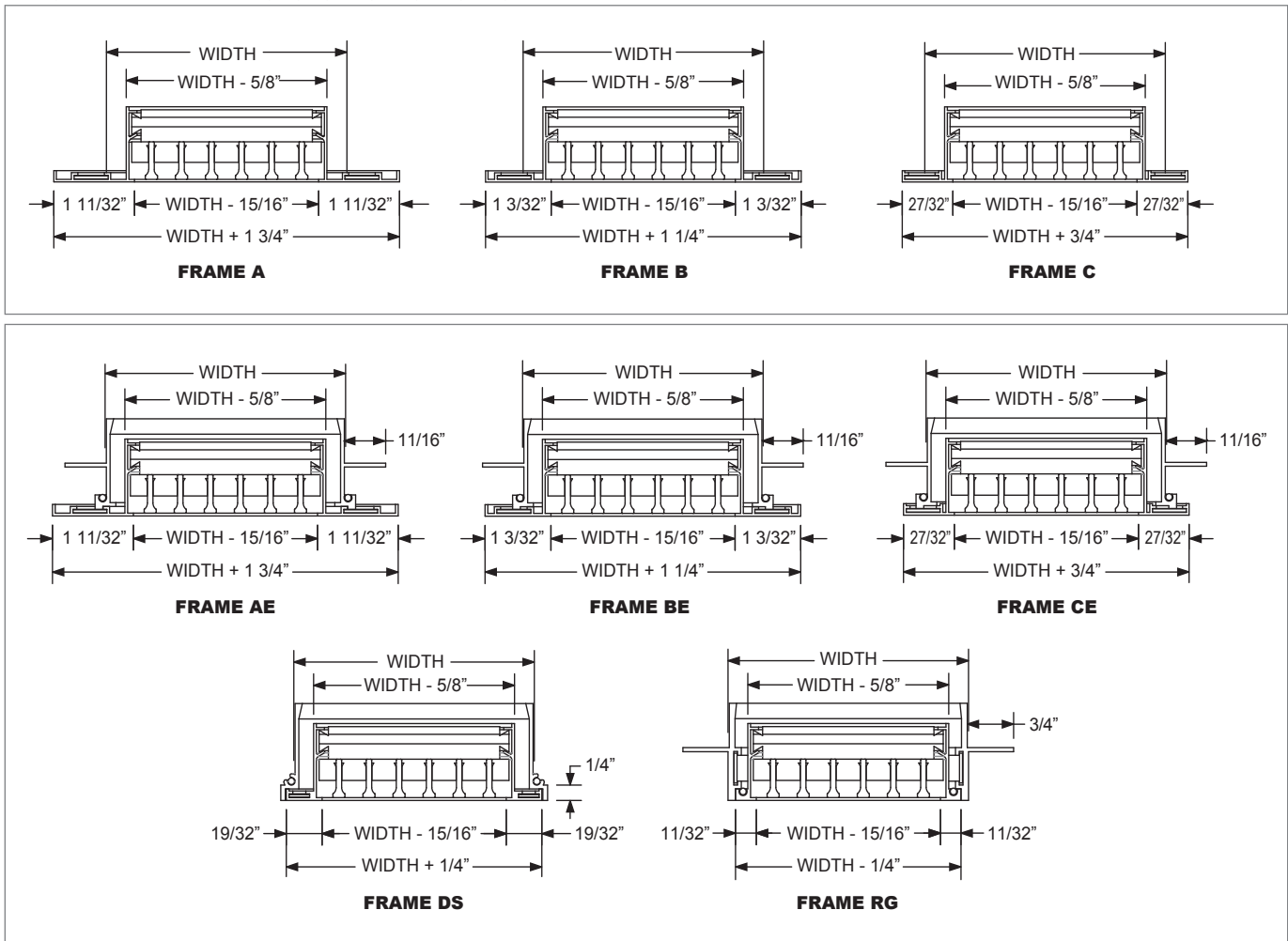
**1500 Dimensional Information & Frame Styles**

**1500 FACE VIEW FOR FRAME STYLES A, B, C, AE, BE, CE, DS, & RG**



NOTES: Dimensions in parentheses are mm. For 1500 grille length and width dimensional information, see table on page K1-5.

**1500, FRAME STYLES A, B, C, AE, BE, CE, DS, & RG**

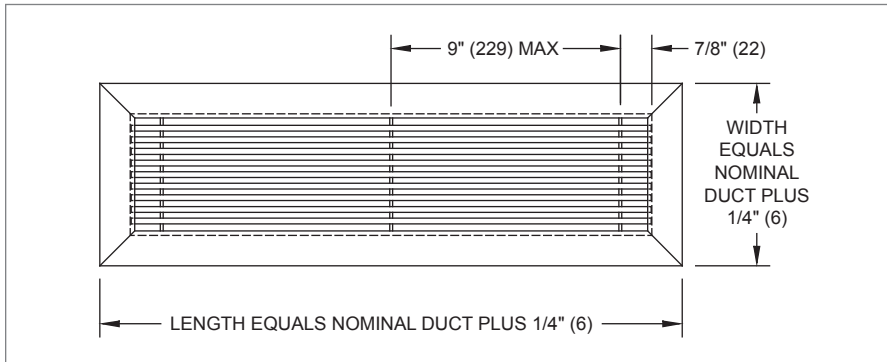
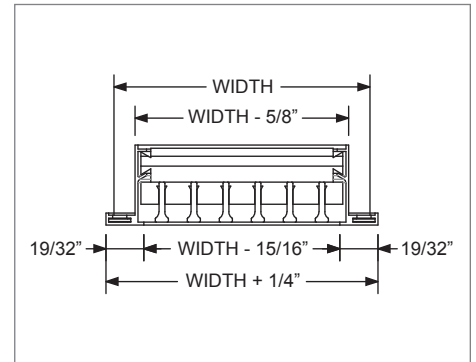
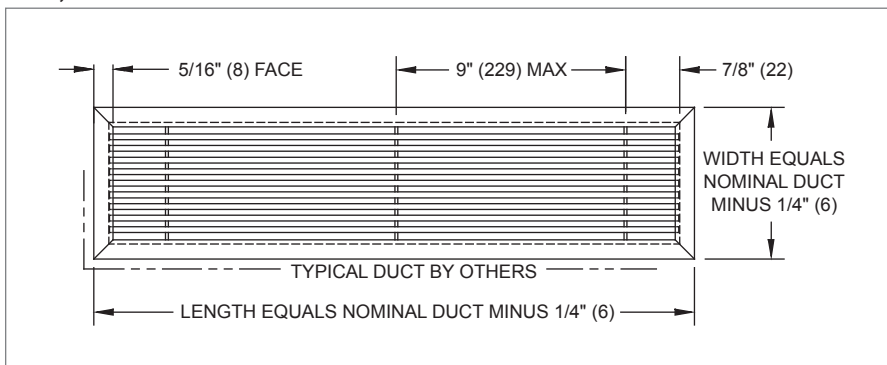
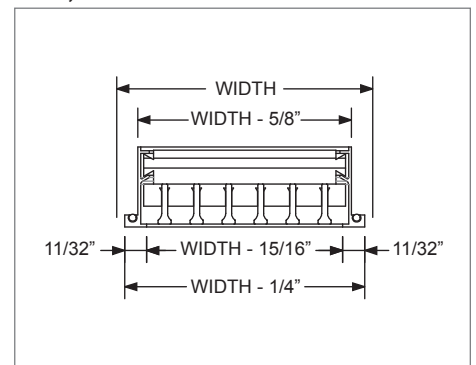


NOTE: Dimensions in parentheses are mm.

LINEAR BAR GRILLES

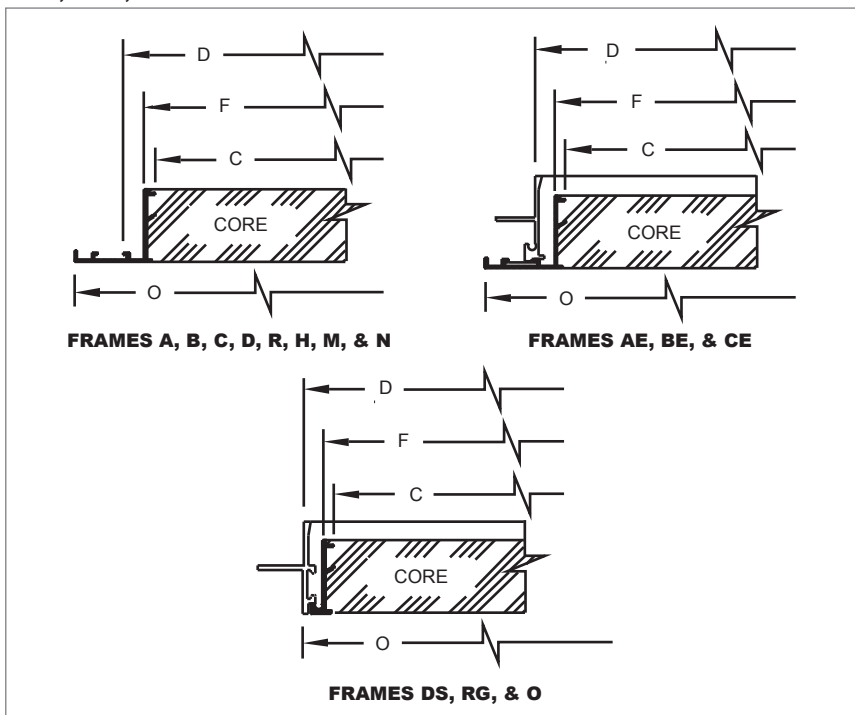
1500-1800

### 1500 Dimensional Information & Frame Styles

**1500, FACE VIEW FOR FRAME STYLE D**

**1500, FRAME STYLE D**

**1500, FACE VIEW FOR FRAME STYLE R**

**1500, FRAME STYLE R**


NOTE: Dimensions in parentheses are mm.

### 1500, 1800 Dimensional Information

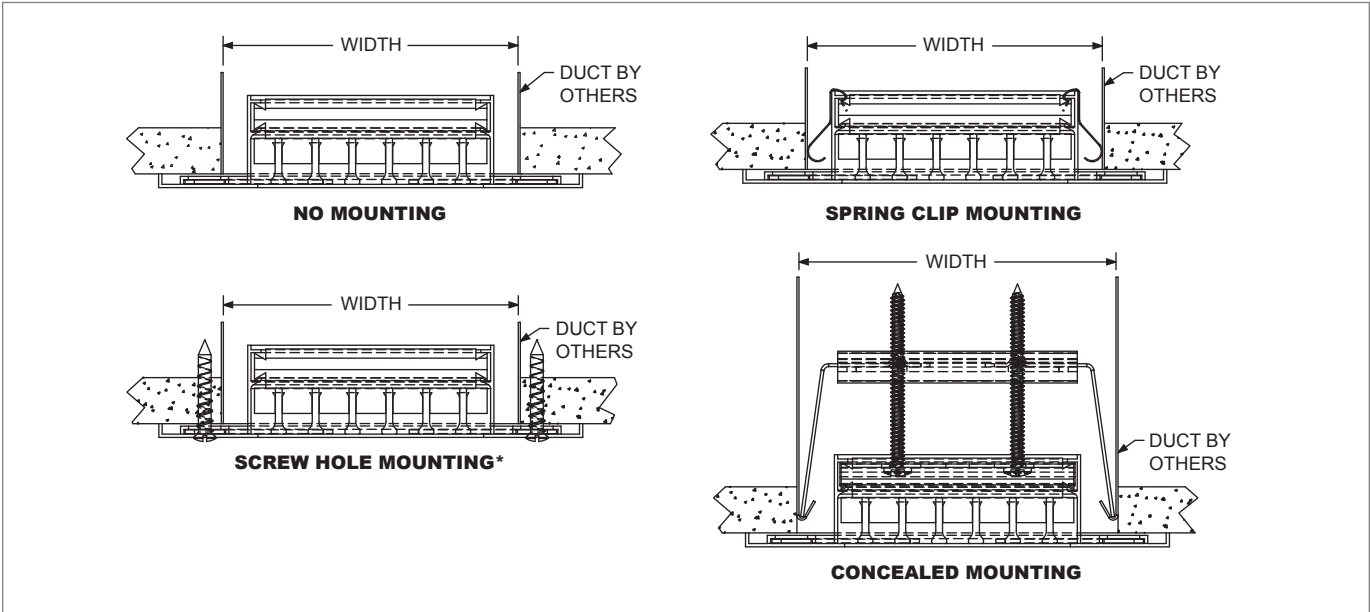
**1500, 1800, LENGTH & WIDTH DIMENSIONAL DETAIL**


| Frame | Frame Length | Overall Dimension | Core Opening Length |
|-------|--------------|-------------------|---------------------|
|       | F            | O                 | C                   |
| A     | D - 5/8"     | D + 1 3/4"        | D - 3/4"            |
| B     | D - 5/8"     | D + 1 1/4"        | D - 3/4"            |
| C     | D - 5/8"     | D + 3/4"          | D - 3/4"            |
| D     | D - 5/8"     | D + 1/4"          | D - 3/4"            |
| R     | D - 5/8"     | D - 1/4"          | D - 3/4"            |
| AE    | D            | D + 1 3/4"        | D - 3/8"            |
| BE    | D            | D + 1 1/4"        | D - 3/8"            |
| CE    | D            | D + 3/4"          | D - 3/8"            |
| DS    | D            | D + 7/16"         | D - 3/4"            |
| RG    | D            | D                 | D - 3/4"            |
| H     | D            | D + 2 1/4"        | D - 3/8"            |
| M     | D            | D + 1 5/8"        | D - 3/8"            |
| N     | D            | D                 | D - 3/8"            |
| O     | D - 3/8"     | D + 3/16"         | D - 3/4"            |

NOTES:  
 Lengths based on end caps mounted on each end.  
 D = Nominal duct dimension length/width  
 (or ordered length)  
 F = Actual overall neck dimension length/width  
 O = Overall face dimension length/width  
 C = Actual core opening length/width

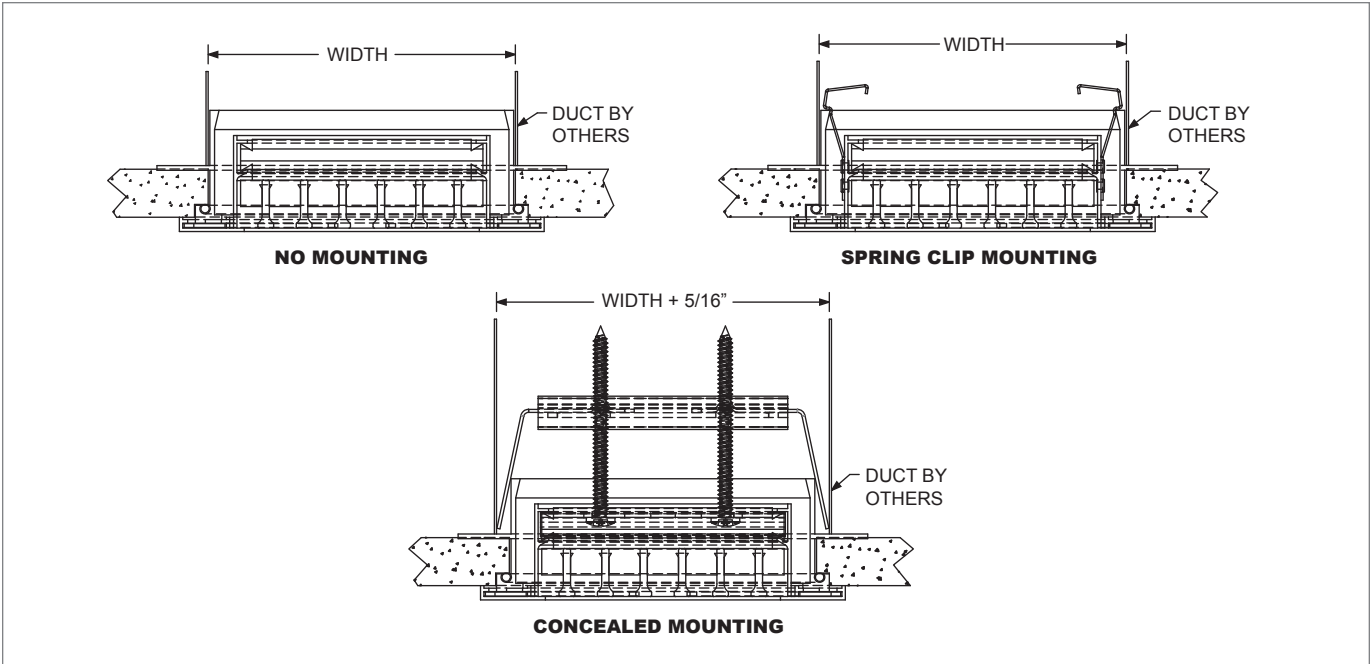
**1500 Mounting Options**

**1500, MOUNTING OPTIONS FOR FRAME STYLES A, B, C, & D**



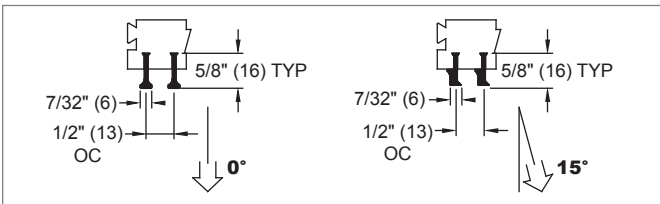
NOTES: All fastening methods for frame R are provided by others. \* Frame D not available with screw hole mounting.

**1500, MOUNTING OPTIONS FOR FRAME STYLES AE, BE, CE, DS, & RG**

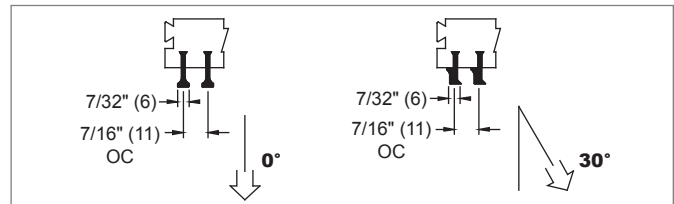


**1500 Deflection Patterns**

**1500, NORMAL AIR DEFLECTION PATTERN (N)**



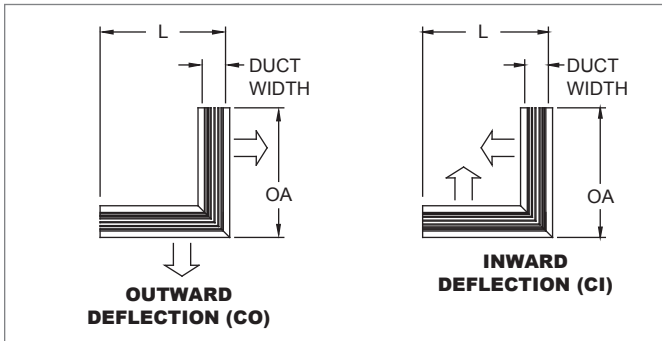
**1500, PENCIL PROOF AIR DEFLECTION PATTERN (P)**



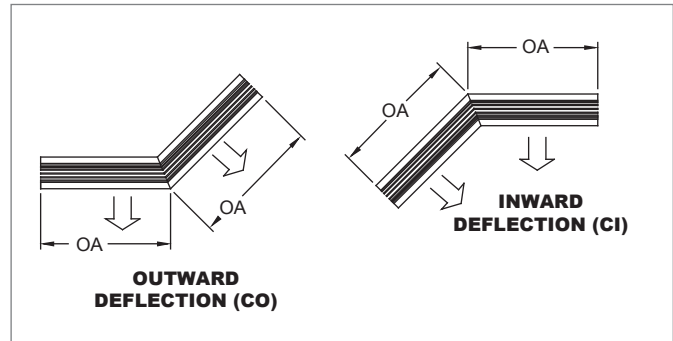
NOTE: Dimensions in parentheses are mm.

**Mitered Corner (1500MC, 1800MC) Deflection Patterns**

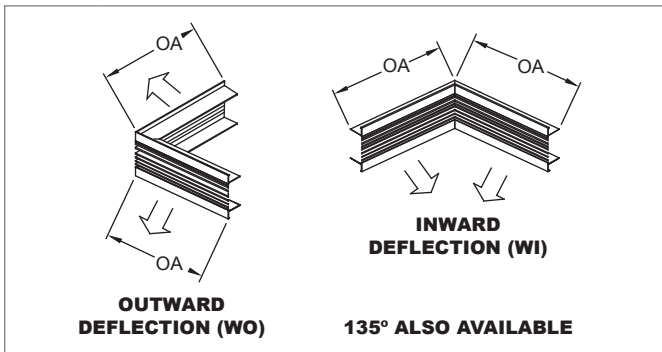
1500MC, 1800MC, 90° DEFLECTION PATTERN



1500MC, 1800MC, 135° DEFLECTION PATTERN



1500MC, 90° DEFLECTION PATTERN



**Mitered Corner (1500MC, 1800MC) Dimensional Information**

1500, OVERALL DIMENSIONS FOR FRAME STYLES

| Duct Width                  | Duct L       | Frames           |                  |                  |                  |                  |                   |                    |                  |                   |              |
|-----------------------------|--------------|------------------|------------------|------------------|------------------|------------------|-------------------|--------------------|------------------|-------------------|--------------|
|                             |              | A                | B                | C                | D                | R                | AE                | BE                 | CE               | DS                | RG           |
| 2" - 4"<br>(51 - 102)       | 12"<br>(305) | 12 7/8"<br>(327) | 12 5/8"<br>(321) | 12 3/8"<br>(314) | 12 1/8"<br>(308) | 11 7/8"<br>(302) | 13 3/16"<br>(335) | 12 15/16"<br>(329) | 12 5/8"<br>(321) | 12 3/16"<br>(310) | 12"<br>(305) |
| 4 1/2" - 12"<br>(114 - 305) | 18"<br>(457) | 18 7/8"<br>(479) | 18 5/8"<br>(473) | 18 3/8"<br>(467) | 18 1/8"<br>(460) | 17 7/8"<br>(454) | 19 3/16"<br>(487) | 18 15/16"<br>(481) | 18 5/8"<br>(473) | 18 3/16"<br>(462) | 18"<br>(457) |

1800, OVERALL DIMENSIONS FOR FRAME STYLES

| Duct Width                  | Duct L       | Frames           |                    |              |                  |
|-----------------------------|--------------|------------------|--------------------|--------------|------------------|
|                             |              | H                | M                  | N            | O                |
| 2" - 4"<br>(51 - 102)       | 12"<br>(305) | 12 7/8"<br>(327) | 12 13/16"<br>(325) | 12"<br>(305) | -                |
| 3" - 4"<br>(76 - 102)       | 12"<br>(305) | -                | -                  | -            | 12 1/8"<br>(308) |
| 4 1/2" - 12"<br>(114 - 305) | 18"<br>(457) | 18 7/8"<br>(479) | 18 13/16"<br>(478) | 18"<br>(457) | 18 1/8"<br>(460) |

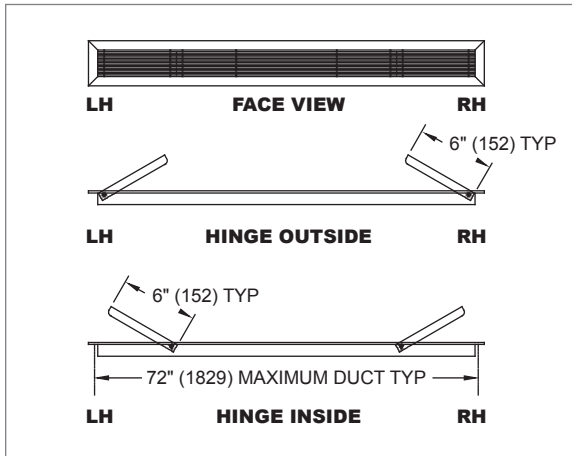
1800, MAXIMUM FLOOR LOADING

| Model             | Blade    | Spacing    | Maximum Vertical Distributed Load | Maximum Vertical Live Load | Maximum Horizontal Load |
|-------------------|----------|------------|-----------------------------------|----------------------------|-------------------------|
|                   |          |            | lbs/in <sup>2</sup>               | lbs/ft <sup>2</sup>        | lbs                     |
| 1800 Normal       | 1/4" (6) | 1/2" (13)  | 250                               | 250                        | 50                      |
| 1800 Pencil Proof | 1/4" (6) | 7/16" (11) | 250                               | 250                        | 50                      |

NOTES: Dimensions in parentheses are mm. Dash indicates not available.

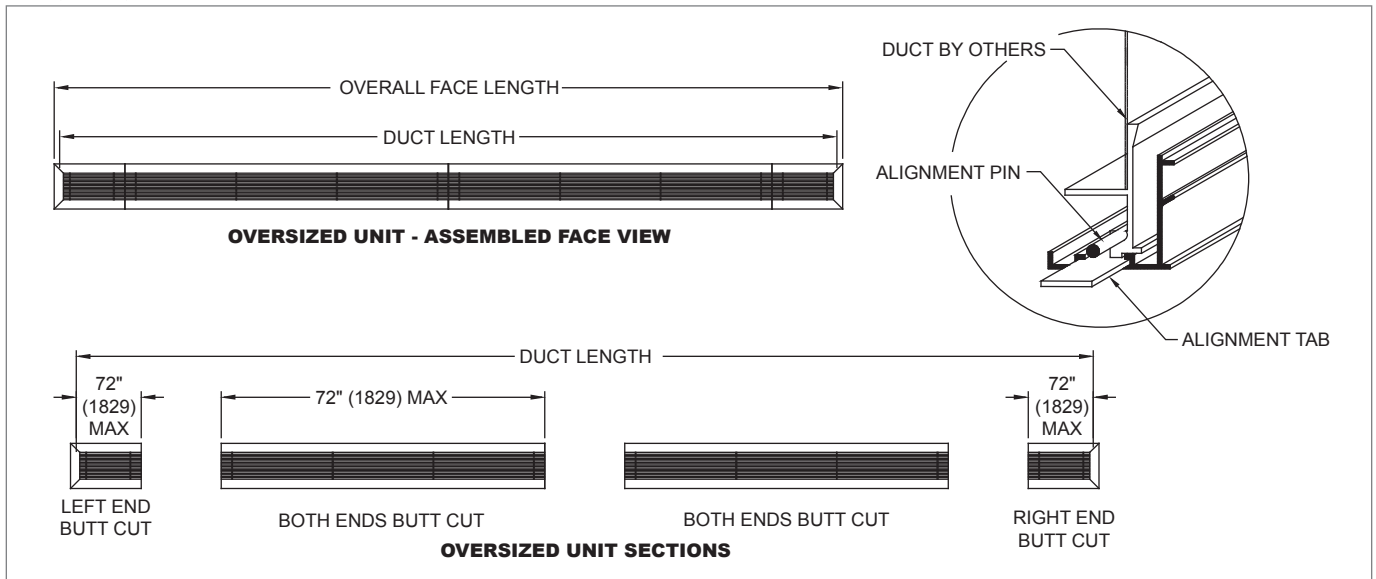
**1500, 1800 Access Doors & Oversized Units**

**1500, ACCESS DOOR OPTION**



NOTES: Dimensions in parentheses are mm. Linear bar access doors provide open area approximately 5" (127) long by a width determined by the specified unit width. Access doors are not available with the 1800 models.

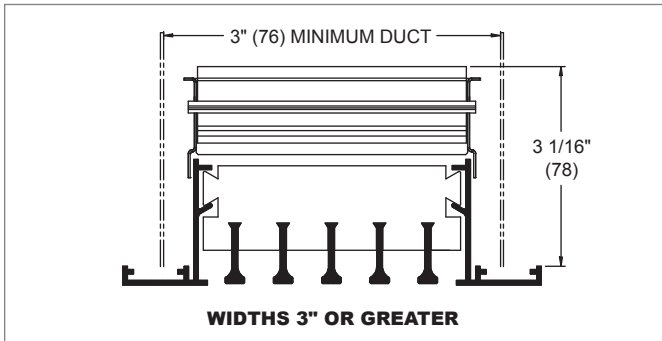
**1500, 1800, OVERSIZED UNIT DIMENSIONAL DETAIL**



NOTES: Dimensions in parentheses are mm. Oversized units are assembled with the minimum number of sections based on a maximum individual duct length of 72". Alignment tabs and pins are provided to facilitate assembly. Alignment tabs and pins are not available with frame M, N, and O.

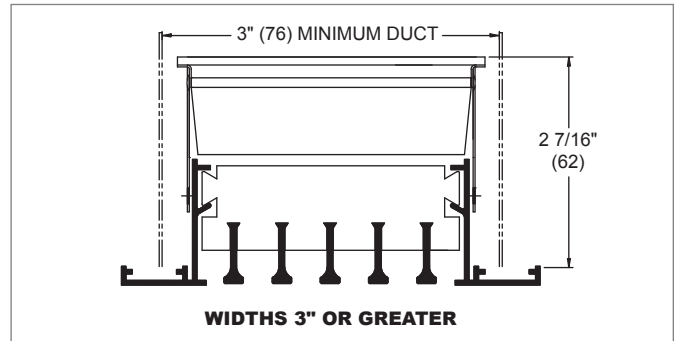
**1500, 1800 Accessories**

**LINEAR OPPOSED BLADE DAMPER (LOBD)**



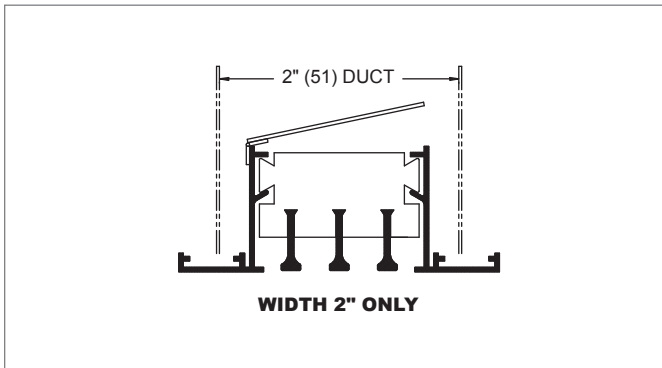
NOTES: Dimensions in parentheses are mm.  
Do not use with frames DS and RG.  
Do not use with concealed mounting.

**LINEAR STRAIGHTENING GRID (LSG)**



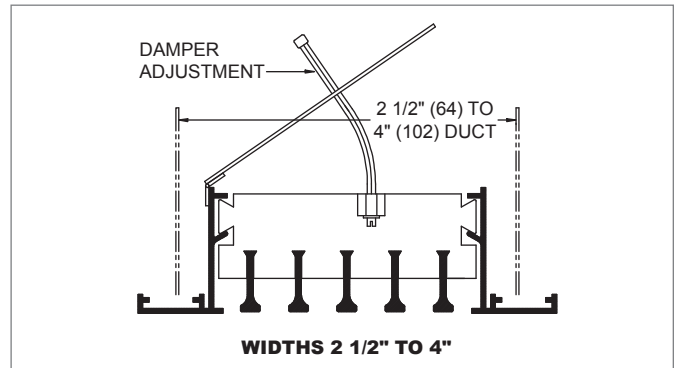
NOTES: Dimensions in parentheses are mm.  
Do not use with frames M, N, or R.  
Do not use with spring clip mounting.

**SINGLE BLADE DAMPER (SBD)**



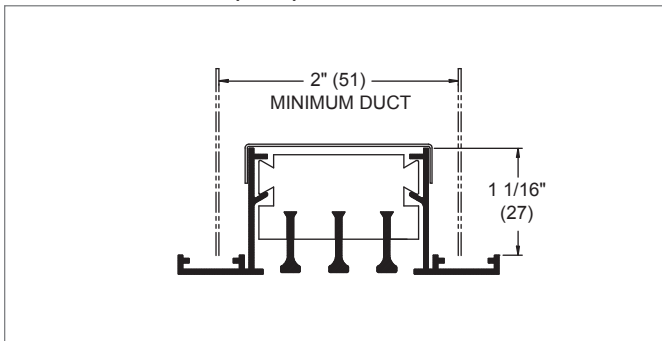
NOTES: Dimensions in parentheses are mm.  
Do not use with frames H, M, N, O, DS, or RG.  
Do not use with concealed mounting.  
Do not use with widths greater than 2" (51).

**SINGLE BLADE DAMPER (SBD)**



NOTES: Dimensions in parentheses are mm.  
Do not use with frames H, M, N, O, DS, or RG.  
Do not use with concealed mounting.

**BLANK-OFF STRIP (BOS)**



NOTES: Dimensions in parentheses are mm.  
Do not use with spring clip mounting.