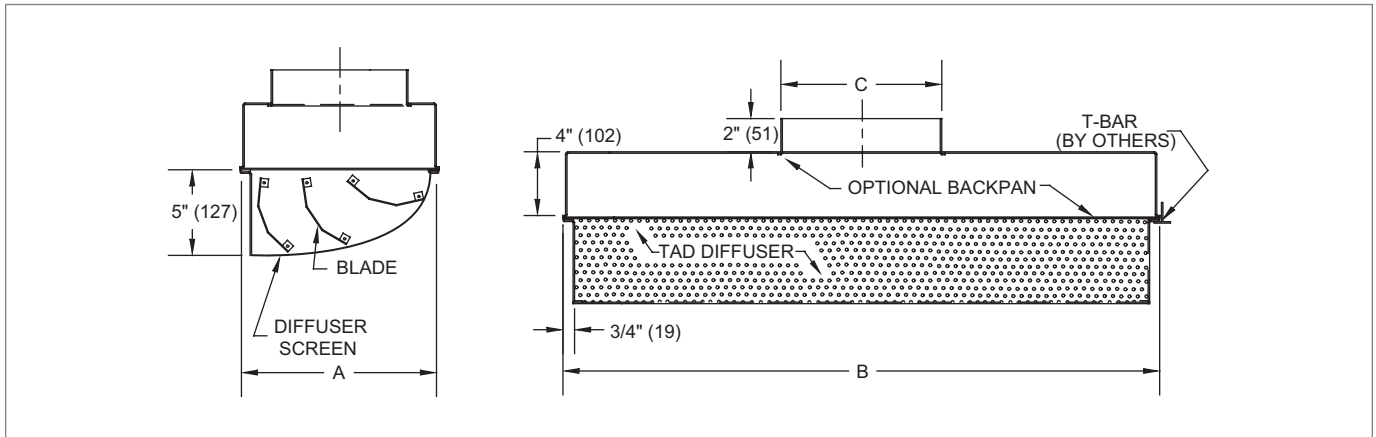
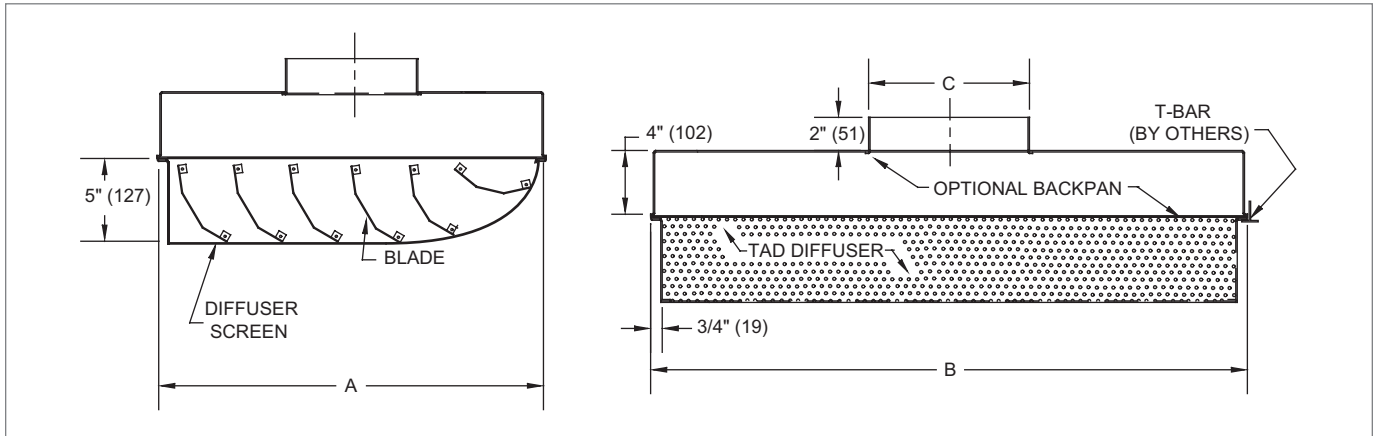


TAD, TADSS Dimensional Information

TAD, TADSS, 12"x48" PANEL, 1-WAY (90° DISCHARGE AIR PATTERN)



TAD, TADSS, 24"x24" & 24"x48" PANEL, 1-WAY (90° DISCHARGE AIR PATTERN)



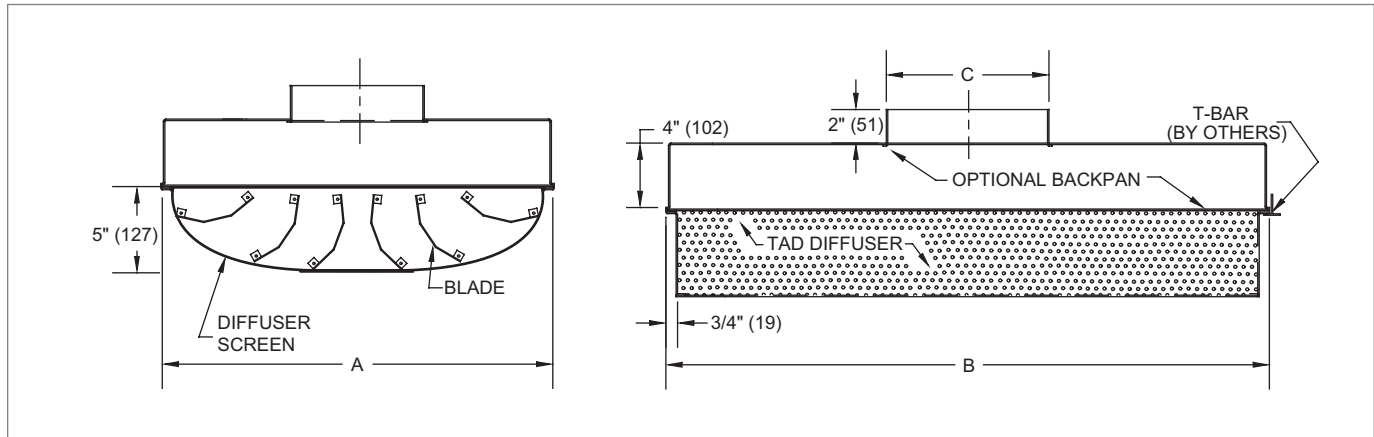
TAD, TADSS, 1-WAY AVAILABLE SIZES

Panel Size	A	B	C
12" x 48" (305 x 1219)	11 3/4" (298)	47 3/4" (1213)	7 7/8" (200)
24" x 24" (610 x 610)	23 3/4" (603)	23 3/4" (603)	7 7/8" (200)
24" x 48" (610 x 1219)	23 3/4" (603)	47 3/4" (1213)	11 7/8" (302)

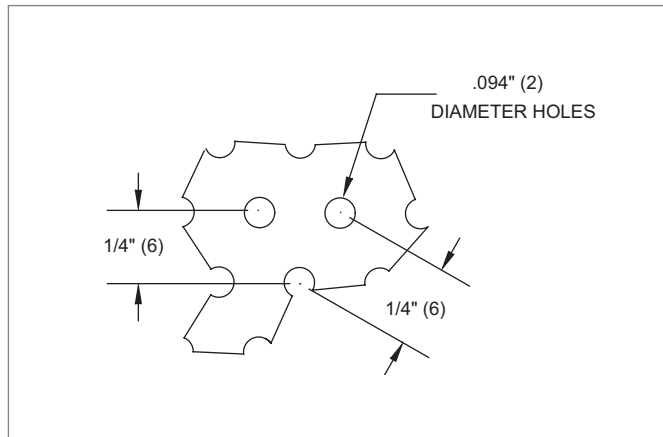
NOTES: Dimensions in parentheses are mm. Standard construction is aluminum. Stainless steel is available. Optional backpan is constructed of steel, aluminum, or stainless steel. To allow for cleaning, optional backpan requires 1 3/4" (44) clearance to remove. (Based on T-Bar height of 1 1/8" (29)) Perforated Face: .094" (2) diameter holes 13% open area. Backpan Screen: .040" (1) diameter holes 43% open area.

TAD, TADSS Dimensional Information

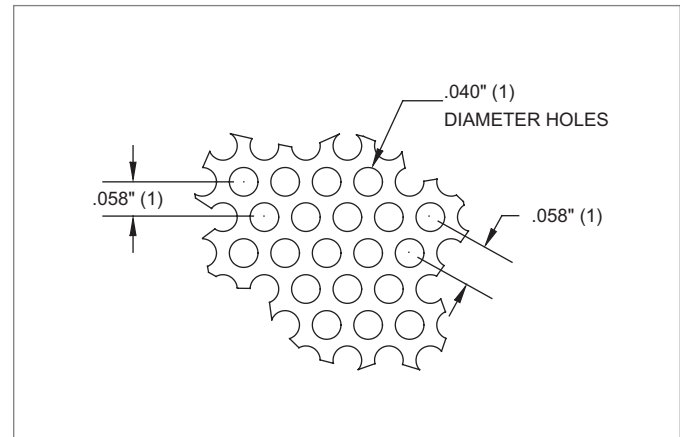
TAD, TADSS, 24"x24" & 24"x48" PANEL, 2-WAY (180° DISCHARGE AIR PATTERN)



TAD, TADSS, PERFORATED FACE DETAIL 2-WAY (180° DISCHARGE AIR PATTERN)



TAD, TADSS, PERFORATED BACKPAN SCREEN DETAIL 2-WAY (180° DISCHARGE AIR PATTERN)



TAD, TADSS, 2-WAY AVAILABLE SIZES

Panel Size	A	B	C
24" x 24" (610 x 610)	23 3/4" (603)	23 3/4" (603)	7 7/8" (200)
24" x 48" (610 x 1219)	23 3/4" (603)	47 3/4" (1213)	11 7/8" (302)

NOTES: Dimensions in parentheses are mm. Standard construction is aluminum. Stainless steel is available. Optional backpan is constructed of steel, aluminum, or stainless steel. To allow for cleaning, optional backpan requires 1 3/4" (44) clearance to remove. (Based on T-Bar height of 1 1/8" (29)) Perforated Face: .094" (2) diameter holes 13% open area. Backpan Screen: .040" (1) diameter holes 43% open area.

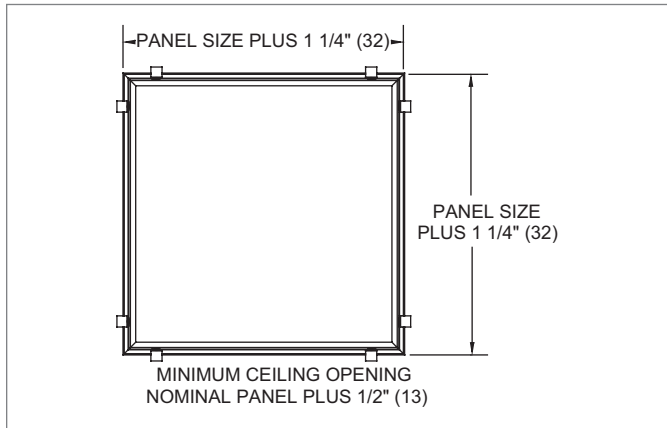
CRITICAL ROOM PRODUCTS

TAD

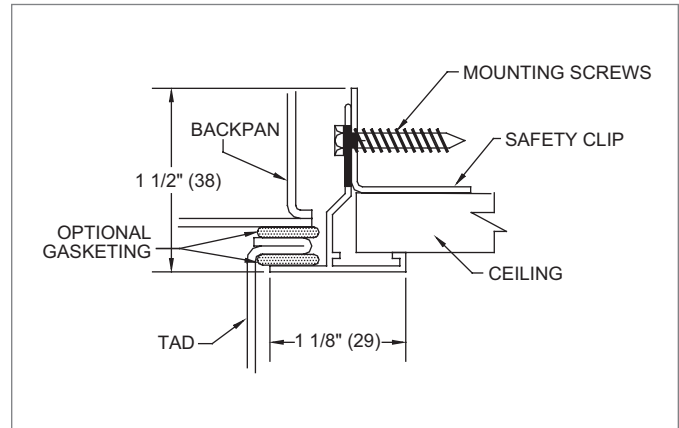
© KRUEGER 2012

TAD, TADSS, TADHF, TADSSHF Mounting Details

TAD, TADSS, SURFACE MOUNT FRAME, FACE VIEW

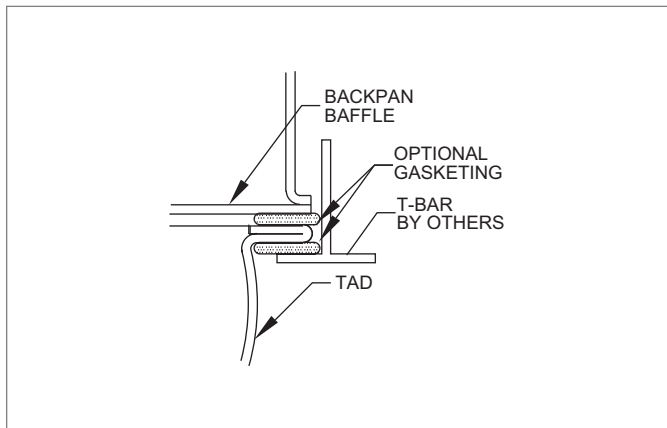


TAD, TADSS, SURFACE MOUNT FRAME DETAIL



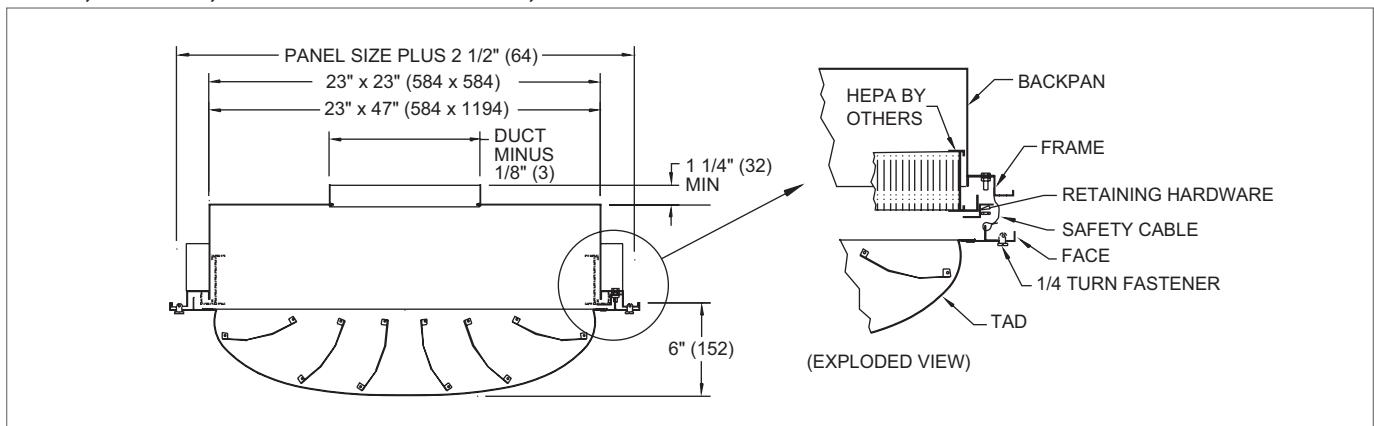
NOTES: Dimensions in parentheses are mm. Surface mount to hard ceiling. Mounting frame screws and security clips are shipped loose for field installation. Mounting frame construction is aluminum (Model 5HCF23). Mounting frame finish is British White. Mounting frame is not available with models TADHF or TADSSHF.

TAD, TADSS, SURFACE MOUNT FRAME, FACE VIEW



NOTES: Dimensions in parentheses are mm. Optional gaskets are shipped loose for field installation.

TADHF, TADSSHF, SURFACE MOUNT FRAME, FACE VIEW



NOTES: Dimensions in parentheses are mm. Surface mount to hard ceilings. Not designed for use in lay-in T-bar applications. 1/4 Turn fasteners (on four sides) release face even when TADHF is installed side-by-side.

CRITICAL ROOM PRODUCTS

TAD

© KRUEGER 2012