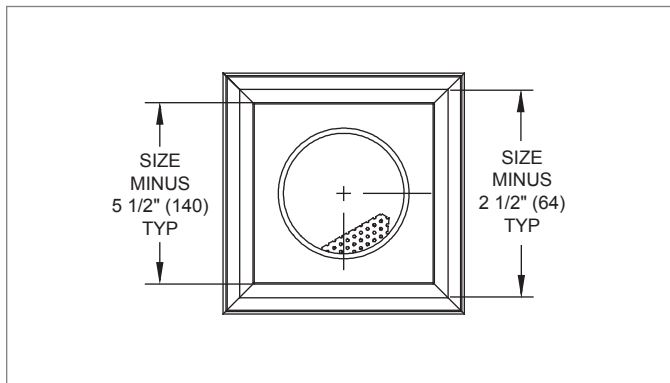
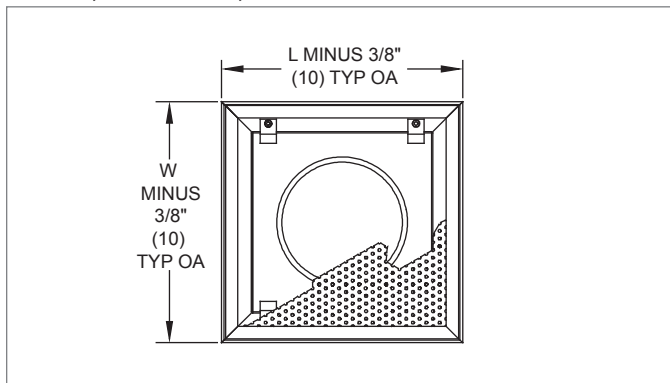
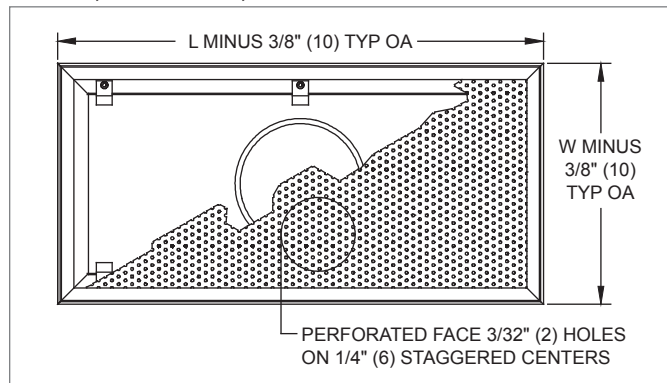
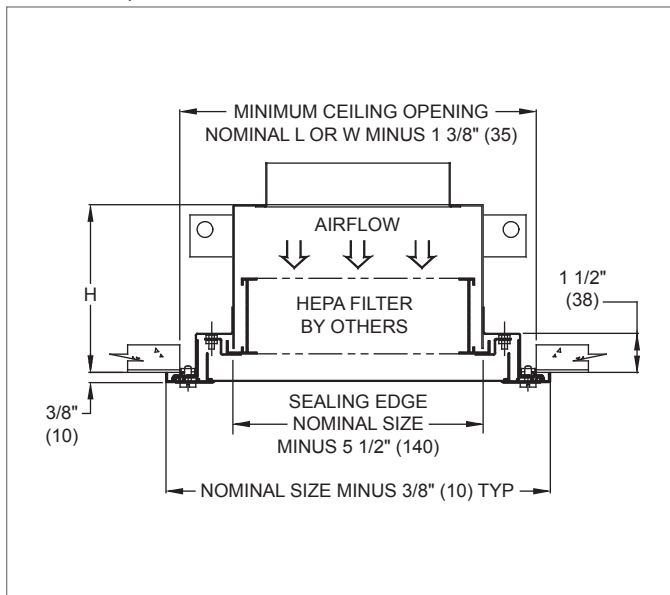
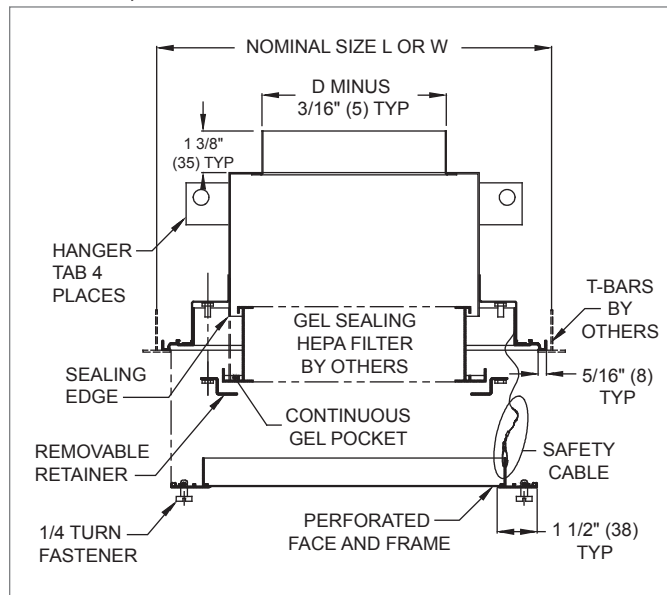


5000HF Dimensional Information
5000HF, TOP VIEW, ALL PANELS

5000HF, AVAILABLE SIZES

Nominal Unit Size		Nominal Inlet Size	
L	W	D	H
24" (610)	24" (610)	8" (203)	7" (178)
		10" (254)	7 3/4" (197)
36" (914)	24" (610)	8" (203)	7 3/8" (187)
		10" (254)	8 1/8" (206)
		12" (305)	8 7/8" (225)
48" (1219)	24" (610)	10" (254)	7 3/4" (197)
		12" (305)	8 1/2" (216)

NOTE: Dimensions in parentheses are mm.

5000HF, FACE VIEW, 24"x24" PANEL

5000HF, FACE VIEW, 48"x24" PANEL

5000HF, ASSEMBLED CROSS SECTION, FRAME 22, SURFACE MOUNT SHOWN

5000HF, EXPLODED CROSS SECTION, FRAME 23, LAY-IN T-BAR SHOWN


CRITICAL ROOM PRODUCTS

 5
0
0
0