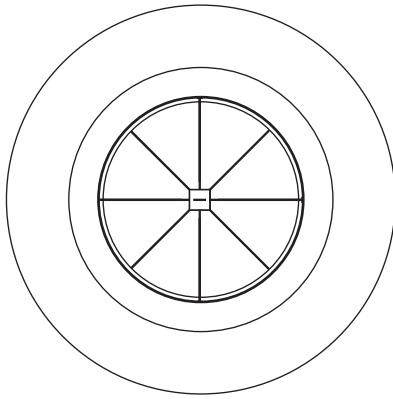


R1DBR10

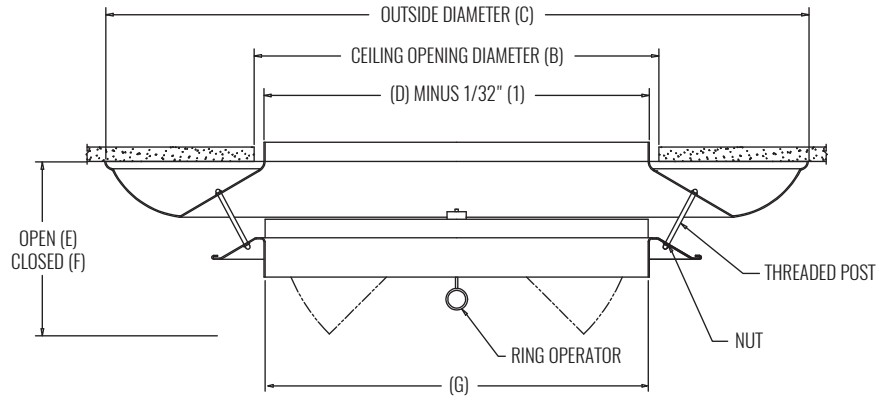
Round Diffuser, Ring Operated Center Downblow



DIMENSIONAL DATA



FACE VIEW



CROSS SECTION

AVAILABLE NECK SIZES

NOMINAL ROUND DUCT SIZE D	B	C	E	F	G
10"	10 1/2" (267)	18 1/4" (464)	7 1/2" (191)	3" (76)	10" (254)
12"	12 1/2" (318)	22" (559)	9 3/8" (238)	4" (102)	12" (305)
14"	14 1/2" (368)	26" (660)	6 3/4" (171)	4" (102)	14" (356)
16"	16 1/2" (419)	29" (737)	8 1/2" (216)	5" (127)	16" (406)
18"	18 1/2" (470)	32 1/2" (826)	9 1/8" (232)	5" (127)	18" (457)
20"	20 1/2" (521)	36" (914)	10 3/8" (264)	5 1/2" (140)	20" (508)
24"	24 1/2" (622)	43 1/4" (1099)	12 1/4" (308)	6 5/8" (168)	24" (610)
30"	30 1/2" (775)	53 5/8" (1362)	13 7/8" (352)	8 1/4" (210)	30" (762)
36"	36 1/2" (927)	64 3/8" (1635)	15 5/8" (397)	10" (254)	36" (914)

NOTE: Dimensions in parentheses are millimeters (mm).